



# MINNESOTA DEPT OF TRANSPORTATION

## TRAFFIC DATA COLLECTION - METRO

Location: TH-7 AT TH-100 WEST RAMPS  
 Ref.Pt.: 005+00.899  
 JAMAR# 634 DR  
 TURN MOVEMENT COUNT

File Name : TH 7 AT TH 100 WEST RAMPS 2007  
 Site Code : 00000000  
 Start Date : 5/31/2007  
 Page No : 1

### Groups Printed- Unshifted

Start Time	TH 100 Southbound				TH 7 W RAMPS Westbound				TH 100 Northbound				TH 7 W RAMPS Eastbound				Int. Total
	Left	Thru	Right	Peds	Left	Thru	Right	Peds	Left	Thru	Right	Peds	Left	Thru	Right	Peds	
06:00	32	0	0	0	0	45	0	0	0	0	0	0	8	89	0	0	174
06:15	42	0	0	0	0	48	0	0	0	0	0	0	12	113	0	0	215
06:30	53	0	0	0	0	84	0	0	0	0	0	0	18	147	0	0	302
06:45	74	0	0	0	0	104	0	0	0	0	0	0	18	188	0	0	384
Total	201	0	0	0	0	281	0	0	0	0	0	0	56	537	0	0	1075
07:00	57	0	0	0	0	112	0	0	0	0	0	0	35	221	0	0	425
07:15	69	0	0	0	0	165	0	0	0	0	0	0	22	343	0	0	599
07:30	84	0	0	0	0	177	0	0	0	0	0	0	49	349	0	0	659
07:45	99	0	0	0	0	205	0	0	0	0	0	0	37	371	0	0	712
Total	309	0	0	0	0	659	0	0	0	0	0	0	143	1284	0	0	2395
08:00	69	0	0	0	0	194	0	0	0	0	0	0	51	319	0	0	633
08:15	60	0	0	0	0	167	0	0	0	0	0	0	38	372	0	0	637
08:30	74	0	0	0	0	174	0	0	0	0	0	0	46	324	0	0	618
08:45	68	0	0	0	0	167	0	0	0	0	0	0	36	301	0	0	572
Total	271	0	0	0	0	702	0	0	0	0	0	0	171	1316	0	0	2460
*** BREAK ***																	
15:00	57	0	0	0	0	228	0	0	0	0	0	0	47	299	0	0	631
15:15	57	0	0	0	0	229	0	0	0	0	0	0	26	274	0	0	586
15:30	40	0	0	0	0	168	0	0	0	0	0	0	56	379	0	0	643
15:45	60	0	0	0	0	209	0	0	0	0	0	0	31	315	0	0	615
Total	214	0	0	0	0	834	0	0	0	0	0	0	160	1267	0	0	2475
16:00	56	0	0	0	0	219	0	0	0	0	0	0	43	403	0	0	721
16:15	44	0	0	0	0	231	0	0	0	0	0	0	36	354	0	0	665
16:30	47	0	0	0	0	252	0	0	0	0	0	0	36	377	0	0	712
16:45	46	0	0	0	0	266	0	0	0	0	0	0	35	425	0	0	772
Total	193	0	0	0	0	968	0	0	0	0	0	0	150	1559	0	0	2870
17:00	84	0	0	0	0	263	0	0	0	0	0	0	34	379	0	0	760
17:15	63	0	0	0	0	286	0	0	0	0	0	0	55	396	0	0	800
17:30	60	0	0	0	0	262	0	0	0	0	0	0	42	411	0	0	775
17:45	47	0	0	0	0	236	0	0	0	0	0	0	39	417	0	0	739
Total	254	0	0	0	0	1047	0	0	0	0	0	0	170	1603	0	0	3074
Grand Total	1442	0	0	0	0	4491	0	0	0	0	0	0	850	7566	0	0	14349
Approch %	100	0	0	0	0	100	0	0	0	0	0	0	10.1	89.9	0	0	
Total %	10	0	0	0	0	31.3	0	0	0	0	0	0	5.9	52.7	0	0	



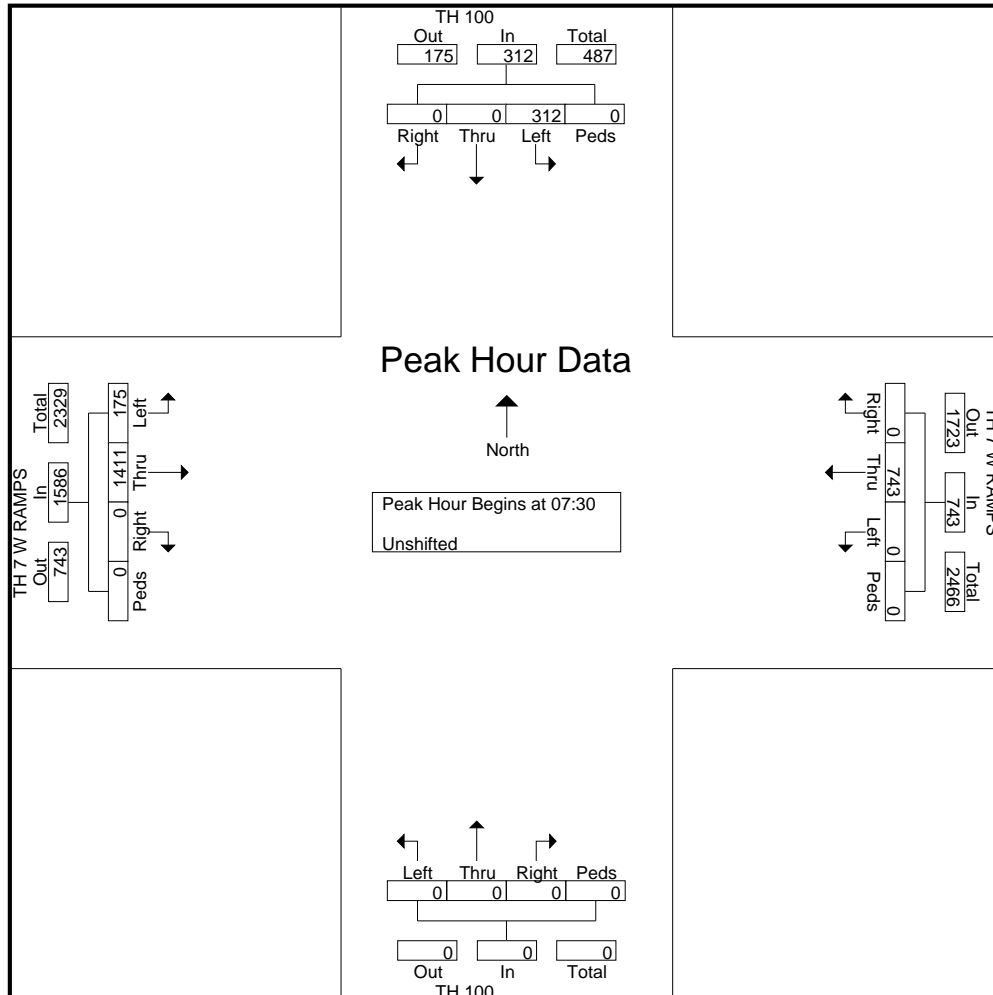
# MINNESOTA DEPT OF TRANSPORTATION

## TRAFFIC DATA COLLECTION - METRO

Location: TH-7 AT TH-100 WEST RAMPS  
 Ref.Pt.: 005+00.899  
 JAMAR# 634 DR  
 TURN MOVEMENT COUNT

File Name : TH 7 AT TH 100 WEST RAMPS 2007  
 Site Code : 00000000  
 Start Date : 5/31/2007  
 Page No : 2

Start Time	TH 100 Southbound					TH 7 W RAMPS Westbound					TH 100 Northbound					TH 7 W RAMPS Eastbound					Int. Total
	Left	Thru	Right	Peds	App. Total	Left	Thru	Right	Peds	App. Total	Left	Thru	Right	Peds	App. Total	Left	Thru	Right	Peds	App. Total	
Peak Hour Analysis From 06:00 to 08:45 - Peak 1 of 1																					
Peak Hour for Entire Intersection Begins at 07:30																					
07:30	84	0	0	0	84	0	177	0	0	177	0	0	0	0	0	49	349	0	0	398	659
07:45	<b>99</b>	0	0	0	<b>99</b>	0	<b>205</b>	0	0	<b>205</b>	0	0	0	0	0	37	371	0	0	408	<b>712</b>
08:00	69	0	0	0	69	0	194	0	0	194	0	0	0	0	0	<b>51</b>	319	0	0	370	633
08:15	60	0	0	0	60	0	167	0	0	167	0	0	0	0	0	38	<b>372</b>	0	0	<b>410</b>	637
Total Volume	312	0	0	0	312	0	743	0	0	743	0	0	0	0	0	175	1411	0	0	1586	2641
% App. Total	100	0	0	0		0	100	0	0		0	0	0	0		11	89	0	0		
PHF	.788	.000	.000	.000	.788	.000	.906	.000	.000	.906	.000	.000	.000	.000	.000	.858	.948	.000	.000	.967	.927





# MINNESOTA DEPT OF TRANSPORTATION

## TRAFFIC DATA COLLECTION - METRO

Location: TH-7 AT TH-100 WEST RAMPS  
 Ref.Pt.: 005+00.899  
 JAMAR# 634 DR  
 TURN MOVEMENT COUNT

File Name : TH 7 AT TH 100 WEST RAMPS 2007  
 Site Code : 00000000  
 Start Date : 5/31/2007  
 Page No : 3

Start Time	TH 100 Southbound					TH 7 W RAMPS Westbound					TH 100 Northbound					TH 7 W RAMPS Eastbound					Int. Total
	Left	Thru	Right	Peds	App. Total	Left	Thru	Right	Peds	App. Total	Left	Thru	Right	Peds	App. Total	Left	Thru	Right	Peds	App. Total	
<b>Peak Hour Analysis From 15:00 to 17:45 - Peak 1 of 1</b>																					
Peak Hour for Entire Intersection Begins at 16:45																					
16:45	46	0	0	0	46	0	266	0	0	266	0	0	0	0	0	35	425	0	0	460	772
17:00	84	0	0	0	84	0	263	0	0	263	0	0	0	0	0	34	379	0	0	413	760
17:15	63	0	0	0	63	0	286	0	0	286	0	0	0	0	0	55	396	0	0	451	800
17:30	60	0	0	0	60	0	262	0	0	262	0	0	0	0	0	42	411	0	0	453	775
Total Volume	253	0	0	0	253	0	1077	0	0	1077	0	0	0	0	0	166	1611	0	0	1777	3107
% App. Total	100	0	0	0		0	100	0	0		0	0	0	0		9.3	90.7	0	0		
PHF	.753	.000	.000	.000	.753	.000	.941	.000	.000	.941	.000	.000	.000	.000	.000	.755	.948	.000	.000	.966	.971

