

Alliant Engineering Inc Minneapolis, MN 55415

Blake Rd N at 2nd St NE (S of TH-7)

Ref.Pt.:

Alliant Engineering Inc

TURN MOVEMENT COUNT

File Name : 21_Blake Rd at 2nd St_010611

Site Code : 00000021

Start Date : 1/6/2011

Page No : 1

Groups Printed- Unshifter - Bank 1

Start Time	Blake Rd N Southbound				commercial entrance Westbound				Blake Rd N Northbound				2nd St NE Eastbound				Int. Total
	Left	Thru	Rght	Peds	Left	Thru	Rght	Peds	Left	Thru	Rght	Peds	Left	Thru	Rght	Peds	
06:00	0	16	12	0	0	0	0	0	3	8	1	0	9	1	5	0	55
06:15	0	23	18	0	0	0	0	0	8	17	0	0	8	0	5	2	81
06:30	0	29	21	0	0	0	0	0	9	16	1	0	14	0	9	0	99
06:45	0	36	30	0	1	0	0	0	4	25	1	0	6	0	11	2	116
Total	0	104	81	0	1	0	0	0	24	66	3	0	37	1	30	4	351
07:00	0	52	41	0	0	0	0	0	13	35	0	0	16	0	12	0	169
07:15	1	63	35	0	0	0	0	0	20	24	0	0	17	0	15	0	175
07:30	0	68	37	0	0	0	0	0	18	40	0	0	29	0	10	0	202
07:45	1	63	59	0	0	0	0	1	22	44	0	0	19	0	14	4	227
Total	2	246	172	0	0	0	0	1	73	143	0	0	81	0	51	4	773
08:00	2	68	48	0	0	0	0	0	26	48	0	0	16	0	18	0	226
08:15	1	73	43	0	0	0	0	0	21	57	0	0	12	0	18	0	225
08:30	0	62	35	0	0	0	0	0	16	64	2	0	16	0	20	1	216
08:45	0	67	17	0	1	0	1	0	6	63	0	0	26	0	19	0	200
Total	3	270	143	0	1	0	1	0	69	232	2	0	70	0	75	1	867
09:00	0	40	23	0	0	0	0	0	13	33	0	0	27	1	12	0	149
09:15	0	50	17	0	0	0	0	0	13	52	0	0	7	0	19	0	158
*** BREAK ***																	
Total	0	90	40	0	0	0	0	0	26	85	0	0	34	1	31	0	307
*** BREAK ***																	
10:30	0	59	18	0	0	0	1	0	7	63	1	0	12	1	15	1	178
10:45	1	61	15	0	1	0	0	0	8	58	0	0	23	0	13	0	180
Total	1	120	33	0	1	0	1	0	15	121	1	0	35	1	28	1	358
11:00	0	77	24	0	0	0	0	0	10	71	0	0	28	0	11	0	221
11:15	0	66	21	0	0	0	0	0	16	76	1	0	29	0	17	3	229
11:30	0	70	25	0	1	0	0	1	7	92	0	0	39	1	11	1	248
11:45	1	105	24	0	0	0	4	0	16	107	0	0	32	0	23	0	312
Total	1	318	94	0	1	0	4	1	49	346	1	0	128	1	62	4	1010
12:00	0	113	27	0	0	0	1	0	12	91	1	0	40	1	19	0	305
12:15	1	99	37	0	0	0	0	2	3	97	0	0	37	1	14	0	291
12:30	1	102	32	0	1	1	1	0	15	100	1	0	23	2	14	1	294
12:45	0	93	45	0	0	0	1	0	13	87	0	0	24	0	14	2	279
Total	2	407	141	0	1	1	3	2	43	375	2	0	124	4	61	3	1169
13:00	0	84	31	0	1	0	0	0	13	94	0	0	28	1	19	1	272
13:15	1	86	33	0	4	0	1	2	14	83	0	0	38	0	17	1	280
*** BREAK ***																	
Total	1	170	64	0	5	0	1	2	27	177	0	0	66	1	36	2	552
*** BREAK ***																	
14:30	0	101	36	1	2	0	0	0	12	84	0	0	30	1	19	0	286
14:45	1	90	26	0	1	0	0	0	14	73	0	0	33	0	14	0	252
Total	1	191	62	1	3	0	0	0	26	157	0	0	63	1	33	0	538
15:00	0	93	27	0	1	0	1	0	13	96	0	0	19	1	27	0	278
15:15	0	108	36	0	1	0	2	0	13	79	1	0	21	0	15	0	276
15:30	0	83	28	0	0	0	0	0	25	133	2	0	39	0	26	0	336
15:45	0	89	29	0	1	0	0	0	19	109	1	0	45	0	26	2	321
Total	0	373	120	0	3	0	3	0	70	417	4	0	124	1	94	2	1211

Alliant Engineering Inc Minneapolis, MN 55415

Blake Rd N at 2nd St NE (S of TH-7)
 Ref.Pt.:
 Alliant Engineering Inc
 TURN MOVEMENT COUNT

File Name : 21_Blake Rd at 2nd St_010611
 Site Code : 00000021
 Start Date : 1/6/2011
 Page No : 2

Groups Printed- Unshifter - Bank 1

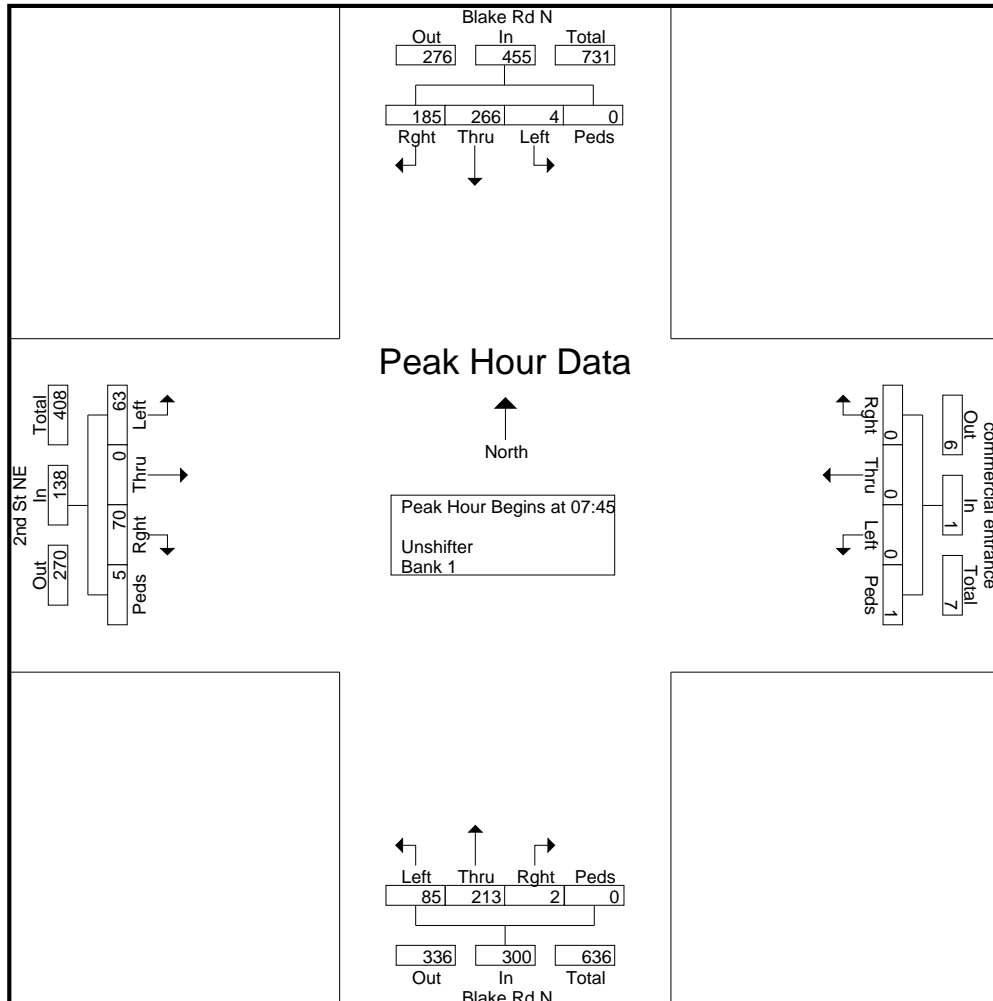
Start Time	Blake Rd N Southbound				commercial entrance Westbound				Blake Rd N Northbound				2nd St NE Eastbound				Int. Total
	Left	Thru	Rght	Peds	Left	Thru	Rght	Peds	Left	Thru	Rght	Peds	Left	Thru	Rght	Peds	
16:00	0	82	34	0	1	0	0	0	18	90	0	0	38	0	22	1	286
16:15	0	110	32	0	0	0	0	1	18	97	0	0	55	0	31	1	345
16:30	0	96	32	0	1	0	0	0	24	122	1	0	61	0	36	1	374
16:45	0	90	23	0	0	0	0	2	16	102	0	0	56	0	28	2	319
Total	0	378	121	0	2	0	0	3	76	411	1	0	210	0	117	5	1324
17:00	1	84	30	0	0	0	1	0	17	142	0	0	87	0	42	1	405
17:15	0	91	33	0	1	0	0	0	16	107	0	0	77	0	43	0	368
17:30	0	98	30	0	0	0	0	0	21	109	0	0	73	0	28	1	360
17:45	0	84	33	0	0	0	0	0	13	108	0	0	46	0	19	0	303
Total	1	357	126	0	1	0	1	0	67	466	0	0	283	0	132	2	1436
Grand Total	12	3024	1197	1	19	1	14	9	565	2996	14	0	1255	11	750	28	9896
Apprch %	0.3	71.4	28.3	0	44.2	2.3	32.6	20.9	15.8	83.8	0.4	0	61.4	0.5	36.7	1.4	
Total %	0.1	30.6	12.1	0	0.2	0	0.1	0.1	5.7	30.3	0.1	0	12.7	0.1	7.6	0.3	
Unshifter	12	2957	1170	1	14	1	12	9	538	2924	8	0	1227	8	717	28	9626
% Unshifter	100	97.8	97.7	100	73.7	100	85.7	100	95.2	97.6	57.1	0	97.8	72.7	95.6	100	97.3
Bank 1	0	67	27	0	5	0	2	0	27	72	6	0	28	3	33	0	270
% Bank 1	0	2.2	2.3	0	26.3	0	14.3	0	4.8	2.4	42.9	0	2.2	27.3	4.4	0	2.7

Alliant Engineering Inc Minneapolis, MN 55415

Blake Rd N at 2nd St NE (S of TH-7)
Ref.Pt.:
Alliant Engineering Inc
TURN MOVEMENT COUNT

File Name : 21_Blake Rd at 2nd St_010611
Site Code : 00000021
Start Date : 1/6/2011
Page No : 3

Start Time	Blake Rd N Southbound					commercial entrance Westbound					Blake Rd N Northbound					2nd St NE Eastbound					Int. Total
	Left	Thru	Right	Peds	App. Total	Left	Thru	Right	Peds	App. Total	Left	Thru	Right	Peds	App. Total	Left	Thru	Right	Peds	App. Total	
Peak Hour Analysis From 06:00 to 09:15 - Peak 1 of 1																					
Peak Hour for Entire Intersection Begins at 07:45																					
07:45	1	63	59	0	123	0	0	0	1	1	22	44	0	0	66	19	0	14	4	37	227
08:00	2	68	48	0	118	0	0	0	0	0	26	48	0	0	74	16	0	18	0	34	226
08:15	1	73	43	0	117	0	0	0	0	0	21	57	0	0	78	12	0	18	0	30	225
08:30	0	62	35	0	97	0	0	0	0	0	16	64	2	0	82	16	0	20	1	37	216
Total Volume	4	266	185	0	455	0	0	0	1	1	85	213	2	0	300	63	0	70	5	138	894
% App. Total	0.9	58.5	40.7	0		0	0	0	100		28.3	71	0.7	0		45.7	0	50.7	3.6		
PHF	.500	.911	.784	.000	.925	.000	.000	.000	.250	.250	.817	.832	.250	.000	.915	.829	.000	.875	.313	.932	.985



Alliant Engineering Inc Minneapolis, MN 55415

Blake Rd N at 2nd St NE (S of TH-7)
Ref.Pt.:
Alliant Engineering Inc
TURN MOVEMENT COUNT

File Name : 21_Blake Rd at 2nd St_010611
Site Code : 00000021
Start Date : 1/6/2011
Page No : 4

Start Time	Blake Rd N Southbound					commercial entrance Westbound					Blake Rd N Northbound					2nd St NE Eastbound					Int. Total
	Left	Thru	Rght	Peds	App. Total	Left	Thru	Rght	Peds	App. Total	Left	Thru	Rght	Peds	App. Total	Left	Thru	Rght	Peds	App. Total	
Peak Hour Analysis From 14:30 to 17:45 - Peak 1 of 1																					
Peak Hour for Entire Intersection Begins at 16:30																					
16:30	0	96	32	0	128	1	0	0	0	1	24	122	1	0	147	61	0	36	1	98	374
16:45	0	90	23	0	113	0	0	0	2	2	16	102	0	0	118	56	0	28	2	86	319
17:00	1	84	30	0	115	0	0	1	0	1	17	142	0	0	159	87	0	42	1	130	405
17:15	0	91	33	0	124	1	0	0	0	1	16	107	0	0	123	77	0	43	0	120	368
Total Volume	1	361	118	0	480	2	0	1	2	5	73	473	1	0	547	281	0	149	4	434	1466
% App. Total	0.2	75.2	24.6	0		40	0	20	40		13.3	86.5	0.2	0		64.7	0	34.3	0.9		
PHF	.250	.940	.894	.000	.938	.500	.000	.250	.250	.625	.760	.833	.250	.000	.860	.807	.000	.866	.500	.835	.905

