

MN Dept of Transportation

TRAFFIC DATA COLLECTION - Metro

TH-7 at Minnewashta Parkway / Church Rd
 Ref.Pt.: 180.171
 video MC
 TURN MOVEMENT COUNT

File Name : TH-7 at Minnewashta Parkway 2016
 Site Code :
 Start Date : 1/5/2016
 Page No : 1

Groups Printed- Cars +

Start Time	Church Rd Southbound				TH-7 Westbound				Minnewashta Parkway / Co.Rd.15 Northbound				TH-7 Eastbound				Int. Total
	Left	Thru	Right	Peds	Left	Thru	Right	Peds	Left	Thru	Right	Peds	Left	Thru	Right	Peds	
06:00	9	1	2	0	0	19	0	0	0	0	5	0	0	86	0	0	122
06:15	15	1	0	0	2	22	0	0	0	0	5	0	1	120	0	0	166
06:30	13	1	0	0	2	31	1	0	0	1	10	0	2	163	0	1	225
06:45	15	0	2	0	3	40	2	0	0	2	21	0	0	192	1	0	278
Total	52	3	4	0	7	112	3	0	0	3	41	0	3	561	1	1	791
07:00	18	1	2	0	8	47	7	0	2	1	28	0	2	199	0	0	315
07:15	15	0	2	0	9	49	6	0	0	2	29	0	6	266	1	0	385
07:30	23	1	0	0	8	47	5	0	0	0	38	0	6	286	1	0	415
07:45	15	1	3	0	7	40	3	0	2	2	22	0	1	223	2	0	321
Total	71	3	7	0	32	183	21	0	4	5	117	0	15	974	4	0	1436
08:00	29	1	1	0	12	48	11	0	2	0	28	0	5	189	6	0	332
08:15	16	0	1	0	10	45	12	0	0	4	22	0	11	188	3	0	312
08:30	28	5	5	0	4	57	11	0	1	5	18	0	9	133	0	0	276
08:45	26	3	2	0	6	70	9	0	0	1	23	0	0	131	0	0	271
Total	99	9	9	0	32	220	43	0	3	10	91	0	25	641	9	0	1191
09:00	11	2	1	0	6	55	15	0	0	3	16	0	1	104	1	0	215
09:15	12	1	0	0	7	35	8	0	0	1	14	0	4	99	0	0	181
09:30	10	0	1	0	8	37	12	0	0	0	12	0	1	105	0	0	186
09:45	7	1	3	0	5	71	8	0	0	2	14	0	0	81	0	0	192
Total	40	4	5	0	26	198	43	0	0	6	56	0	6	389	1	0	774
10:00	12	0	2	0	10	36	5	0	1	1	9	0	1	65	2	0	144
10:15	11	1	3	0	12	63	5	0	0	0	2	0	1	65	1	0	164
10:30	9	0	0	0	1	56	4	0	1	1	7	0	0	76	0	0	155
10:45	12	2	1	0	5	45	9	0	0	0	7	0	0	81	1	0	163
Total	44	3	6	0	28	200	23	0	2	2	25	0	2	287	4	0	626
11:00	3	2	2	0	4	56	7	0	1	3	8	0	1	52	2	0	141
11:15	10	3	1	0	2	61	2	0	0	0	11	0	0	84	0	0	174
11:30	9	0	2	0	7	60	7	0	1	3	10	0	3	76	1	0	179
11:45	6	0	0	0	10	59	11	0	1	0	9	0	2	66	0	0	164
Total	28	5	5	0	23	236	27	0	3	6	38	0	6	278	3	0	658
12:00	7	1	1	0	4	56	7	0	1	2	13	0	1	58	2	0	153
12:15	5	0	1	0	7	63	13	0	3	2	8	0	2	65	1	1	171
12:30	6	0	3	0	11	63	7	0	0	2	6	0	3	71	0	0	172
12:45	7	1	1	0	7	64	12	0	0	0	7	0	2	72	2	0	175
Total	25	2	6	0	29	246	39	0	4	6	34	0	8	266	5	1	671
13:00	7	1	0	0	9	73	4	0	1	3	7	0	0	59	0	1	165
13:15	9	1	0	0	9	80	6	0	0	1	4	0	2	71	0	0	183
13:30	6	1	3	0	10	96	11	0	0	1	7	0	2	71	0	0	208
13:45	8	2	0	0	4	75	7	0	0	0	6	0	1	63	1	0	167
Total	30	5	3	0	32	324	28	0	1	5	24	0	5	264	1	1	723
14:00	7	1	1	0	15	91	8	0	0	4	3	0	0	61	1	0	192
14:15	9	1	0	0	5	108	14	0	1	3	11	0	1	70	1	0	224
14:30	12	3	0	0	7	81	14	0	0	1	9	0	1	79	0	0	207
14:45	5	0	1	0	16	103	12	0	2	0	10	0	2	60	1	0	212
Total	33	5	2	0	43	383	48	0	3	8	33	0	4	270	3	0	835
15:00	7	0	3	0	24	136	23	0	0	3	3	0	5	55	1	0	260
15:15	9	1	3	0	19	138	22	0	0	7	10	0	3	89	1	0	302
15:30	9	7	8	0	18	157	13	0	0	1	13	0	3	89	0	0	318

MN Dept of Transportation

TRAFFIC DATA COLLECTION - Metro

TH-7 at Minnewashta Parkway / Church Rd
 Ref.Pt.: 180.171
 video MC
 TURN MOVEMENT COUNT

File Name : TH-7 at Minnewashta Parkway 2016
 Site Code :
 Start Date : 1/5/2016
 Page No : 2

Groups Printed- Cars +

Start Time	Church Rd Southbound				TH-7 Westbound				Minnewashta Parkway / Co.Rd.15 Northbound				TH-7 Eastbound				Int. Total
	Left	Thru	Right	Peds	Left	Thru	Right	Peds	Left	Thru	Right	Peds	Left	Thru	Right	Peds	
15:45	13	3	2	0	11	145	20	0	2	2	16	0	0	84	1	0	299
Total	38	11	16	0	72	576	78	0	2	13	42	0	11	317	3	0	1179
16:00	13	5	3	0	11	186	11	0	2	1	10	0	1	71	0	0	314
16:15	11	2	5	0	13	193	21	0	2	3	14	0	4	73	1	0	342
16:30	11	3	0	0	18	182	21	0	0	1	11	0	1	60	0	0	308
16:45	10	0	1	0	20	182	26	0	4	1	16	0	4	73	1	0	338
Total	45	10	9	0	62	743	79	0	8	6	51	0	10	277	2	0	1302
17:00	11	0	5	1	14	195	24	0	2	0	13	0	4	81	1	0	351
17:15	7	1	2	0	19	198	18	0	2	2	20	0	3	80	0	0	352
17:30	9	2	4	0	18	201	24	0	1	0	5	0	2	62	0	1	329
17:45	9	2	3	0	16	181	28	0	2	2	18	1	7	74	0	0	343
Total	36	5	14	1	67	775	94	0	7	4	56	1	16	297	1	1	1375
Grand Total	541	65	86	1	453	4196	526	0	37	74	608	1	111	4821	37	4	11561
Apprch %	78.1	9.4	12.4	0.1	8.8	81.1	10.2	0	5.1	10.3	84.4	0.1	2.2	96.9	0.7	0.1	
Total %	4.7	0.6	0.7	0	3.9	36.3	4.5	0	0.3	0.6	5.3	0	1	41.7	0.3	0	

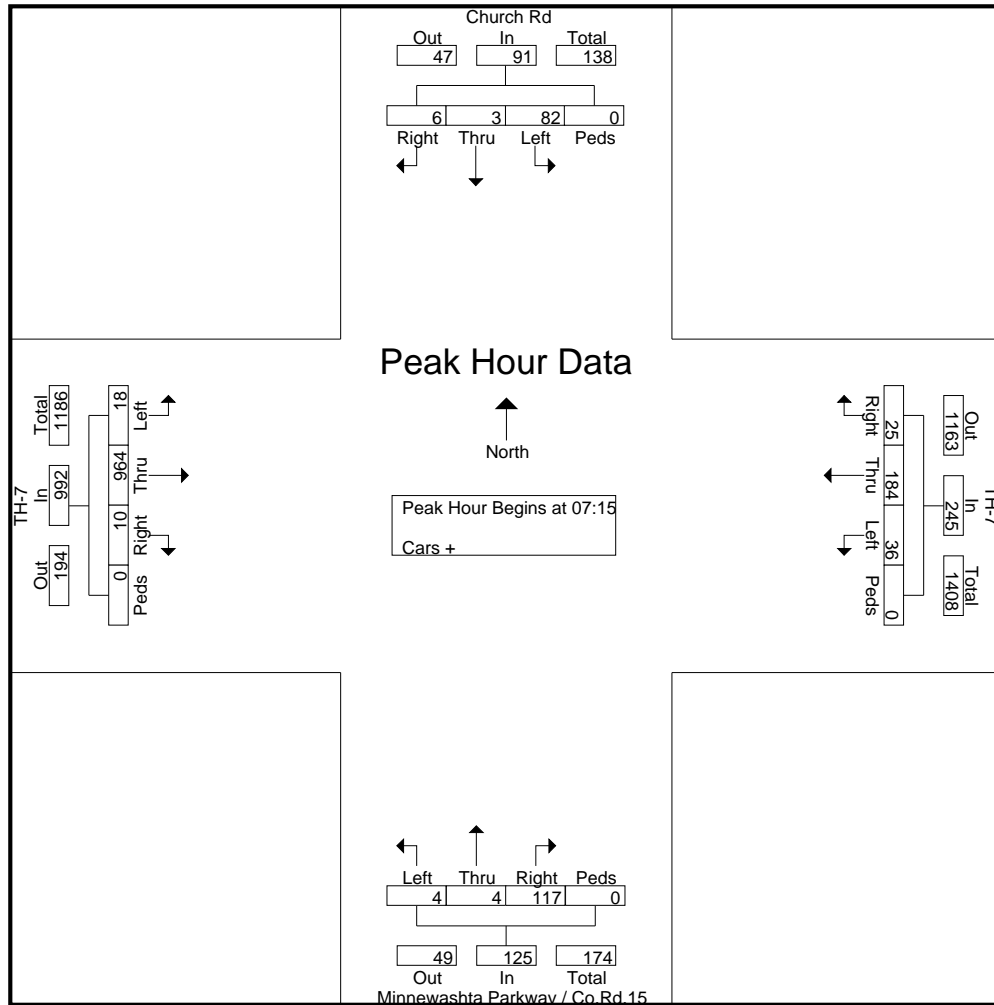
MN Dept of Transportation

TRAFFIC DATA COLLECTION - Metro

TH-7 at Minnewashta Parkway / Church Rd
 Ref.Pt.: 180.171
 video MC
 TURN MOVEMENT COUNT

File Name : TH-7 at Minnewashta Parkway 2016
 Site Code :
 Start Date : 1/5/2016
 Page No : 3

Start Time	Church Rd Southbound					TH-7 Westbound					Minnewashta Parkway / Co.Rd.15 Northbound					TH-7 Eastbound					Int. Total
	Left	Thru	Right	Peds	App. Total	Left	Thru	Right	Peds	App. Total	Left	Thru	Right	Peds	App. Total	Left	Thru	Right	Peds	App. Total	
Peak Hour Analysis From 06:00 to 11:45 - Peak 1 of 1																					
Peak Hour for Entire Intersection Begins at 07:15																					
07:15	15	0	2	0	17	9	49	6	0	64	0	2	29	0	31	6	266	1	0	273	385
07:30	23	1	0	0	24	8	47	5	0	60	0	0	38	0	38	6	286	1	0	293	415
07:45	15	1	3	0	19	7	40	3	0	50	2	2	22	0	26	1	223	2	0	226	321
08:00	29	1	1	0	31	12	48	11	0	71	2	0	28	0	30	5	189	6	0	200	332
Total Volume	82	3	6	0	91	36	184	25	0	245	4	4	117	0	125	18	964	10	0	992	1453
% App. Total	90.1	3.3	6.6	0		14.7	75.1	10.2	0		3.2	3.2	93.6	0		1.8	97.2	1	0		
PHF	.707	.750	.500	.000	.734	.750	.939	.568	.000	.863	.500	.500	.770	.000	.822	.750	.843	.417	.000	.846	.875



MN Dept of Transportation

TRAFFIC DATA COLLECTION - Metro

TH-7 at Minnewashta Parkway / Church Rd
 Ref.Pt.: 180.171
 video MC
 TURN MOVEMENT COUNT

File Name : TH-7 at Minnewashta Parkway 2016
 Site Code :
 Start Date : 1/5/2016
 Page No : 4

Start Time	Church Rd Southbound					TH-7 Westbound					Minnewashta Parkway / Co.Rd.15 Northbound					TH-7 Eastbound					Int. Total
	Left	Thru	Right	Peds	App. Total	Left	Thru	Right	Peds	App. Total	Left	Thru	Right	Peds	App. Total	Left	Thru	Right	Peds	App. Total	
Peak Hour Analysis From 12:00 to 17:45 - Peak 1 of 1																					
Peak Hour for Entire Intersection Begins at 17:00																					
17:00	11	0	5	1	17	14	195	24	0	233	2	0	13	0	15	4	81	1	0	86	351
17:15	7	1	2	0	10	19	198	18	0	235	2	2	20	0	24	3	80	0	0	83	352
17:30	9	2	4	0	15	18	201	24	0	243	1	0	5	0	6	2	62	0	1	65	329
17:45	9	2	3	0	14	16	181	28	0	225	2	2	18	1	23	7	74	0	0	81	343
Total Volume	36	5	14	1	56	67	775	94	0	936	7	4	56	1	68	16	297	1	1	315	1375
% App. Total	64.3	8.9	25	1.8		7.2	82.8	10	0		10.3	5.9	82.4	1.5		5.1	94.3	0.3	0.3		
PHF	.818	.625	.700	.250	.824	.882	.964	.839	.000	.963	.875	.500	.700	.250	.708	.571	.917	.250	.250	.916	.977

