



MINNESOTA DEPT OF TRANSPORTATION

TRAFFIC DATA COLLECTION - METRO

loc: th 65 @ 109th ave ne 2003
 ref pt: 013+00.434
 data collected by: alliant eng
 tmc: am noon pm

File Name : T.H. 65 at 109th
 Site Code : 00000025
 Start Date : 8/26/2003
 Page No : 1

Groups Printed- Unshifted

Start Time	T.H. 65 Southbound					109th Ave. NE Westbound					T.H. 65 Northbound					109th Ave. NE Eastbound					Int. Total
	Left	Thru	Right	Peds	App. Total	Left	Thru	Right	Peds	App. Total	Left	Thru	Right	Peds	App. Total	Left	Thru	Right	Peds	App. Total	
06:00	8	504	14	0	526	34	16	5	0	55	3	95	15	0	113	11	25	17	0	53	747
06:15	11	540	16	1	568	45	20	7	1	73	3	131	19	0	153	9	58	20	0	87	881
06:30	2	582	15	0	599	65	43	2	0	110	14	134	32	0	180	18	63	26	0	107	996
06:45	23	589	17	0	629	53	27	11	0	91	7	173	37	0	217	15	61	23	1	100	1037
Total	44	2215	62	1	2322	197	106	25	1	329	27	533	103	0	663	53	207	86	1	347	3661
07:00	18	534	27	0	579	65	59	12	1	137	13	139	18	0	170	17	63	37	0	117	1003
07:15	18	601	31	0	650	54	37	7	0	98	12	200	22	0	234	20	41	28	0	89	1071
07:30	21	555	22	0	598	62	60	10	0	132	9	197	26	0	232	11	66	20	0	97	1059
07:45	22	479	32	0	533	64	61	15	0	140	10	174	25	0	209	12	52	21	0	85	967
Total	79	2169	112	0	2360	245	217	44	1	507	44	710	91	0	845	60	222	106	0	388	4100
08:00	13	599	31	0	643	46	36	14	1	97	9	178	20	0	207	14	23	23	2	62	1009
08:15	26	520	27	0	573	47	28	12	0	87	9	142	22	0	173	17	27	24	0	68	901
08:30	27	387	23	0	437	58	37	10	0	105	12	178	23	1	214	17	33	28	1	79	835
08:45	19	373	17	0	409	51	32	11	0	94	13	179	18	0	210	20	27	16	0	63	776
Total	85	1879	98	0	2062	202	133	47	1	383	43	677	83	1	804	68	110	91	3	272	3521
11:00	21	236	30	0	287	38	29	14	0	81	27	234	37	0	298	19	34	26	0	79	745
11:15	20	249	15	0	284	36	27	25	0	88	34	202	32	0	268	28	30	13	0	71	711
11:30	22	314	22	0	358	40	24	16	0	80	25	254	20	0	299	24	31	33	0	88	825
11:45	23	300	27	0	350	35	36	14	0	85	26	294	31	0	351	32	31	17	0	80	866
Total	86	1099	94	0	1279	149	116	69	0	334	112	984	120	0	1216	103	126	89	0	318	3147
12:00	23	246	30	0	299	44	51	32	0	127	34	217	31	0	282	39	39	14	0	92	800
12:15	18	292	29	0	339	27	26	20	0	73	30	280	32	0	342	31	36	26	0	93	847
12:30	27	288	30	0	345	37	35	14	0	86	24	282	40	0	346	29	38	28	0	95	872
12:45	21	251	26	0	298	29	23	14	0	66	34	238	33	0	305	20	16	24	0	60	729
Total	89	1077	115	0	1281	137	135	80	0	352	122	1017	136	0	1275	119	129	92	0	340	3248



MINNESOTA DEPT OF TRANSPORTATION

TRAFFIC DATA COLLECTION - METRO

File Name : T.H. 65 at 109th
 Site Code : 00000025
 Start Date : 8/26/2003
 Page No : 2

Groups Printed- Unshifted

Start Time	T.H. 65 Southbound					109th Ave. NE Westbound					T.H. 65 Northbound					109th Ave. NE Eastbound					Int. Total
	Left	Thru	Right	Peds	App. Total	Left	Thru	Right	Peds	App. Total	Left	Thru	Right	Peds	App. Total	Left	Thru	Right	Peds	App. Total	
15:00	18	268	37	0	323	45	55	23	0	123	32	445	41	0	518	44	40	27	3	114	1078
15:15	26	322	37	0	385	34	44	25	0	103	30	486	34	0	550	39	43	15	0	97	1135
15:30	25	278	31	0	334	38	62	43	1	144	36	426	20	0	482	42	50	21	0	113	1073
15:45	18	236	43	0	297	32	56	38	1	127	28	539	21	0	588	54	71	22	0	147	1159
Total	87	1104	148	0	1339	149	217	129	2	497	126	1896	116	0	2138	179	204	85	3	471	4445
16:00	14	257	36	0	307	40	81	27	0	148	49	529	28	0	606	38	42	23	0	103	1164
16:15	39	286	33	0	358	46	50	29	2	127	35	529	30	1	595	53	58	21	0	132	1212
16:30	32	303	46	0	381	36	71	39	1	147	35	502	26	0	563	48	63	26	0	137	1228
16:45	21	259	40	0	320	34	57	39	0	130	28	471	23	1	523	72	61	20	0	153	1126
Total	106	1105	155	0	1366	156	259	134	3	552	147	2031	107	2	2287	211	224	90	0	525	4730
17:00	26	291	27	0	344	42	77	48	0	167	27	518	29	0	574	62	52	23	0	137	1222
17:15	25	252	29	0	306	32	54	33	0	119	56	521	41	0	618	45	87	15	0	147	1190
17:30	30	314	41	0	385	48	71	40	0	159	37	489	43	0	569	51	53	25	0	129	1242
17:45	26	270	36	0	332	33	52	29	0	114	50	512	46	0	608	53	90	27	0	170	1224
Total	107	1127	133	0	1367	155	254	150	0	559	170	2040	159	0	2369	211	282	90	0	583	4878
Grand Total	683	11775	917	1	13376	1390	1437	678	8	3513	791	9888	915	3	11597	1004	1504	729	7	3244	31730
Apprch %	5.1	88	6.9	0		39.6	40.9	19.3	0.2		6.8	85.3	7.9	0		30.9	46.4	22.5	0.2		
Total %	2.2	37.1	2.9	0	42.2	4.4	4.5	2.1	0	11.1	2.5	31.2	2.9	0	36.5	3.2	4.7	2.3	0	10.2	

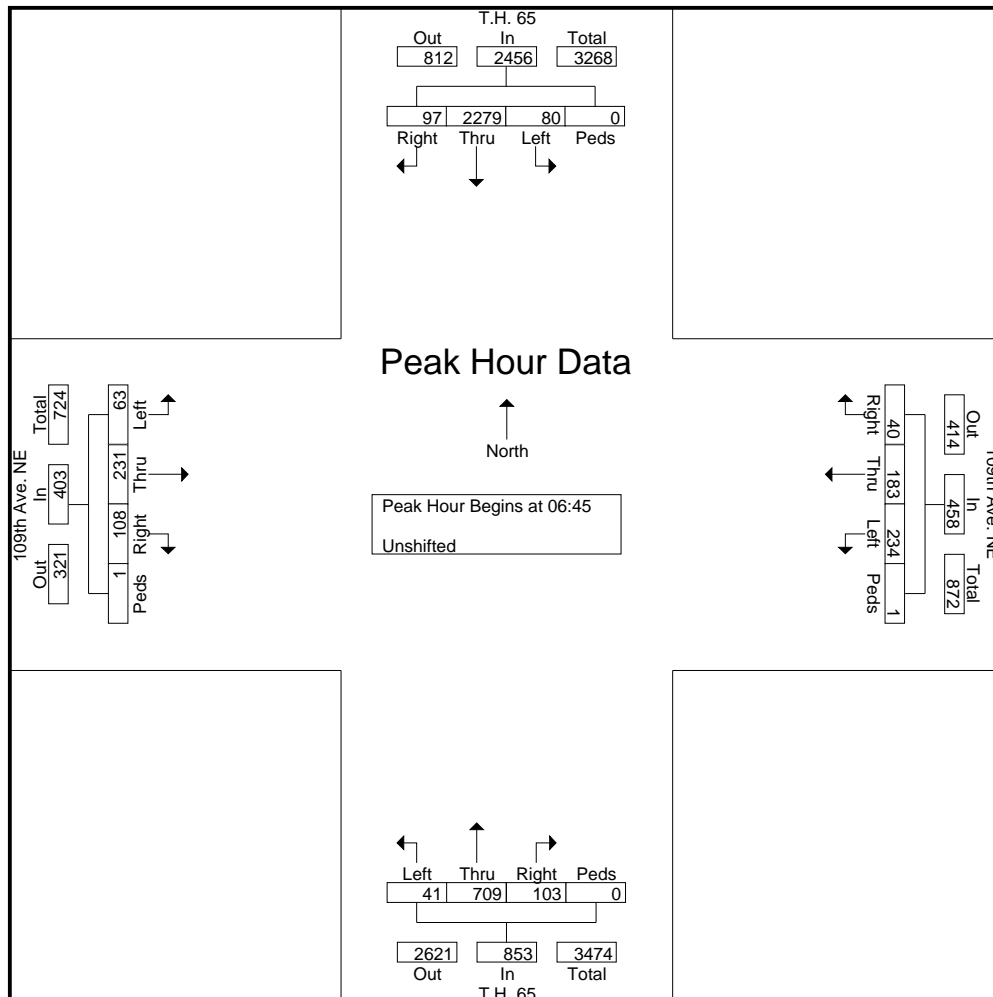


MINNESOTA DEPT OF TRANSPORTATION

TRAFFIC DATA COLLECTION - METRO

File Name : T.H. 65 at 109th
 Site Code : 00000025
 Start Date : 8/26/2003
 Page No : 3

Start Time	T.H. 65 Southbound					109th Ave. NE Westbound					T.H. 65 Northbound					109th Ave. NE Eastbound					Int. Total
	Left	Thru	Right	Peds	App. Total	Left	Thru	Right	Peds	App. Total	Left	Thru	Right	Peds	App. Total	Left	Thru	Right	Peds	App. Total	
Peak Hour Analysis From 06:00 to 09:45 - Peak 1 of 1																					
Peak Hour for Entire Intersection Begins at 06:45																					
06:45	23	589	17	0	629	53	27	11	0	91	7	173	37	0	217	15	61	23	1	100	1037
07:00	18	534	27	0	579	65	59	12	1	137	13	139	18	0	170	17	63	37	0	117	1003
07:15	18	601	31	0	650	54	37	7	0	98	12	200	22	0	234	20	41	28	0	89	1071
07:30	21	555	22	0	598	62	60	10	0	132	9	197	26	0	232	11	66	20	0	97	1059
Total Volume	80	2279	97	0	2456	234	183	40	1	458	41	709	103	0	853	63	231	108	1	403	4170
% App. Total	3.3	92.8	3.9	0		51.1	40	8.7	0.2		4.8	83.1	12.1	0		15.6	57.3	26.8	0.2		
PHF	.870	.948	.782	.000	.945	.900	.763	.833	.250	.836	.788	.886	.696	.000	.911	.788	.875	.730	.250	.861	.973



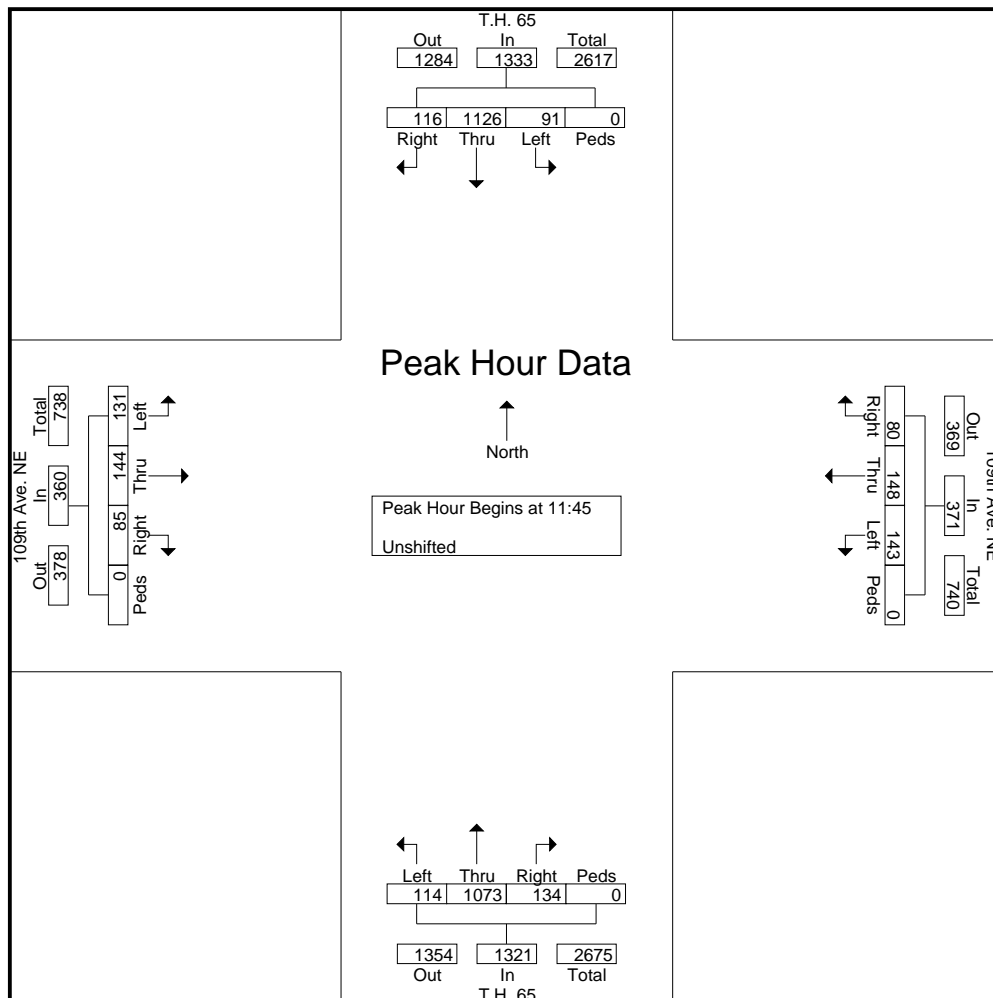


MINNESOTA DEPT OF TRANSPORTATION

TRAFFIC DATA COLLECTION - METRO

File Name : T.H. 65 at 109th
 Site Code : 00000025
 Start Date : 8/26/2003
 Page No : 4

Start Time	T.H. 65 Southbound					109th Ave. NE Westbound					T.H. 65 Northbound					109th Ave. NE Eastbound					Int. Total
	Left	Thru	Right	Peds	App. Total	Left	Thru	Right	Peds	App. Total	Left	Thru	Right	Peds	App. Total	Left	Thru	Right	Peds	App. Total	
Peak Hour Analysis From 10:00 to 13:45 - Peak 1 of 1																					
Peak Hour for Entire Intersection Begins at 11:45																					
11:45	23	300	27	0	350	35	36	14	0	85	26	294	31	0	351	32	31	17	0	80	866
12:00	23	246	30	0	299	44	51	32	0	127	34	217	31	0	282	39	39	14	0	92	800
12:15	18	292	29	0	339	27	26	20	0	73	30	280	32	0	342	31	36	26	0	93	847
12:30	27	288	30	0	345	37	35	14	0	86	24	282	40	0	346	29	38	28	0	95	872
Total Volume	91	1126	116	0	1333	143	148	80	0	371	114	1073	134	0	1321	131	144	85	0	360	3385
% App. Total	6.8	84.5	8.7	0		38.5	39.9	21.6	0		8.6	81.2	10.1	0		36.4	40	23.6	0		
PHF	.843	.938	.967	.000	.952	.813	.725	.625	.000	.730	.838	.912	.838	.000	.941	.840	.923	.759	.000	.947	.970





MINNESOTA DEPT OF TRANSPORTATION

TRAFFIC DATA COLLECTION - METRO

File Name : T.H. 65 at 109th
 Site Code : 00000025
 Start Date : 8/26/2003
 Page No : 5

Start Time	T.H. 65 Southbound					109th Ave. NE Westbound					T.H. 65 Northbound					109th Ave. NE Eastbound					Int. Total
	Left	Thru	Right	Peds	App. Total	Left	Thru	Right	Peds	App. Total	Left	Thru	Right	Peds	App. Total	Left	Thru	Right	Peds	App. Total	
Peak Hour Analysis From 14:00 to 17:45 - Peak 1 of 1																					
Peak Hour for Entire Intersection Begins at 17:00																					
17:00	26	291	27	0	344	42	77	48	0	167	27	518	29	0	574	62	52	23	0	137	1222
17:15	25	252	29	0	306	32	54	33	0	119	56	521	41	0	618	45	87	15	0	147	1190
17:30	30	314	41	0	385	48	71	40	0	159	37	489	43	0	569	51	53	25	0	129	1242
17:45	26	270	36	0	332	33	52	29	0	114	50	512	46	0	608	53	90	27	0	170	1224
Total Volume	107	1127	133	0	1367	155	254	150	0	559	170	2040	159	0	2369	211	282	90	0	583	4878
% App. Total	7.8	82.4	9.7	0		27.7	45.4	26.8	0		7.2	86.1	6.7	0		36.2	48.4	15.4	0		
PHF	.892	.897	.811	.000	.888	.807	.825	.781	.000	.837	.759	.979	.864	.000	.958	.851	.783	.833	.000	.857	.982

