



MINNESOTA DEPT OF TRANSPORTATION

TRAFFIC DATA COLLECTION - METRO

loc: th 65 @ th 10 south ramp 2003
 ref pt: 011+00.057
 data collected by: alliant eng.
 turn movement count

File Name : T.H. 65 at T.H. 10 South
 Site Code : 00000020
 Start Date : 8/20/2003
 Page No : 1

Groups Printed- Unshifted

Start Time	T.H. 65 Southbound					T.H. 10 Westbound					T.H. 65 Northbound					T.H. 10 Eastbound					Int. Total
	Left	Thru	Right	Peds	App. Total	Left	Thru	Right	Peds	App. Total	Left	Thru	Right	Peds	App. Total	Left	Thru	Right	Peds	App. Total	
06:00	0	296	11	0	307	0	0	0	0	0	0	69	3	0	72	52	1	48	0	101	480
06:15	0	388	22	0	410	0	0	0	0	0	0	89	10	0	99	88	0	62	0	150	659
06:30	0	390	156	0	546	0	0	0	0	0	0	101	6	0	107	48	0	58	0	106	759
06:45	0	497	230	0	727	0	0	0	0	0	0	106	15	0	121	112	6	107	1	226	1074
Total	0	1571	419	0	1990	0	0	0	0	0	0	365	34	0	399	300	7	275	1	583	2972
07:00	0	465	275	0	740	0	0	0	0	0	1	135	8	0	144	89	0	78	0	167	1051
07:15	0	527	266	0	793	0	0	0	0	0	0	135	8	0	143	74	0	123	0	197	1133
07:30	0	531	214	0	745	0	0	0	0	0	0	160	12	0	172	123	3	133	0	259	1176
07:45	0	537	204	0	741	0	0	0	0	0	0	172	14	0	186	86	2	132	0	220	1147
Total	0	2060	959	0	3019	0	0	0	0	0	1	602	42	0	645	372	5	466	0	843	4507
08:00	0	420	219	0	639	0	0	0	0	0	0	155	17	0	172	86	1	139	0	226	1037
08:15	0	362	198	0	560	0	0	0	0	0	0	153	14	0	167	90	1	109	0	200	927
08:30	1	311	137	0	449	0	0	0	0	0	0	176	24	0	200	78	0	80	0	158	807
08:45	0	294	170	1	465	0	0	0	0	0	0	158	15	0	173	82	1	101	0	184	822
Total	1	1387	724	1	2113	0	0	0	0	0	0	642	70	0	712	336	3	429	0	768	3593
11:00	0	331	176	0	507	0	0	0	0	0	1	259	18	0	278	84	5	66	0	155	940
11:15	0	243	182	0	425	0	0	0	0	0	0	271	16	0	287	74	1	87	0	162	874
11:30	0	315	142	0	457	0	0	0	0	0	0	286	25	0	311	76	0	71	0	147	915
11:45	0	314	170	0	484	0	0	0	0	0	1	300	31	0	332	80	0	65	0	145	961
Total	0	1203	670	0	1873	0	0	0	0	0	2	1116	90	0	1208	314	6	289	0	609	3690
12:00	0	320	207	0	527	0	0	0	0	0	0	293	23	0	316	101	1	75	0	177	1020
12:15	0	267	176	0	443	0	0	0	0	0	0	291	39	0	330	92	0	70	0	162	935
12:30	0	318	173	0	491	0	0	0	0	0	0	340	30	0	370	99	0	70	1	170	1031
12:45	0	286	164	0	450	0	0	0	0	0	0	298	27	0	325	83	0	72	0	155	930
Total	0	1191	720	0	1911	0	0	0	0	0	0	1222	119	0	1341	375	1	287	1	664	3916



MINNESOTA DEPT OF TRANSPORTATION

TRAFFIC DATA COLLECTION - METRO

File Name : T.H. 65 at T.H. 10 South
 Site Code : 00000020
 Start Date : 8/20/2003
 Page No : 2

Groups Printed- Unshifted

Start Time	T.H. 65 Southbound					T.H. 10 Westbound					T.H. 65 Northbound					T.H. 10 Eastbound					Int. Total
	Left	Thru	Right	Peds	App. Total	Left	Thru	Right	Peds	App. Total	Left	Thru	Right	Peds	App. Total	Left	Thru	Right	Peds	App. Total	
15:00	0	280	184	0	464	0	0	0	0	0	0	425	30	0	455	125	0	65	0	190	1109
15:15	0	247	203	0	450	0	0	0	0	0	0	386	28	0	414	133	0	79	0	212	1076
15:30	0	193	137	0	330	0	0	0	0	0	0	335	41	0	376	110	1	56	0	167	873
15:45	0	257	183	0	440	0	0	0	0	0	0	464	45	0	509	133	1	84	0	218	1167
Total	0	977	707	0	1684	0	0	0	0	0	0	1610	144	0	1754	501	2	284	0	787	4225
16:00	0	244	161	0	405	0	0	0	0	0	0	452	40	0	492	112	0	71	0	183	1080
16:15	0	250	195	0	445	0	0	0	0	0	0	493	41	0	534	133	0	68	0	201	1180
16:30	0	294	221	0	515	0	0	0	0	0	0	481	44	0	525	124	0	88	1	213	1253
16:45	0	246	182	0	428	0	0	0	0	0	0	525	38	0	563	116	1	73	0	190	1181
Total	0	1034	759	0	1793	0	0	0	0	0	0	1951	163	0	2114	485	1	300	1	787	4694
17:00	0	335	187	0	522	0	0	0	0	0	0	512	38	0	550	104	2	83	0	189	1261
17:15	0	235	209	0	444	0	0	0	0	0	0	539	24	0	563	126	0	74	0	200	1207
17:30	0	269	179	0	448	0	0	0	0	0	0	528	30	0	558	147	0	75	0	222	1228
17:45	0	253	135	0	388	0	0	0	0	0	0	466	32	0	498	132	1	77	0	210	1096
Total	0	1092	710	0	1802	0	0	0	0	0	0	2045	124	0	2169	509	3	309	0	821	4792
Grand Total	1	10515	5668	1	16185	0	0	0	0	0	3	9553	786	0	10342	3192	28	2639	3	5862	32389
Apprch %	0	65	35	0		0	0	0	0		0	92.4	7.6	0		54.5	0.5	45	0.1		
Total %	0	32.5	17.5	0	50	0	0	0	0	0	0	29.5	2.4	0	31.9	9.9	0.1	8.1	0	18.1	

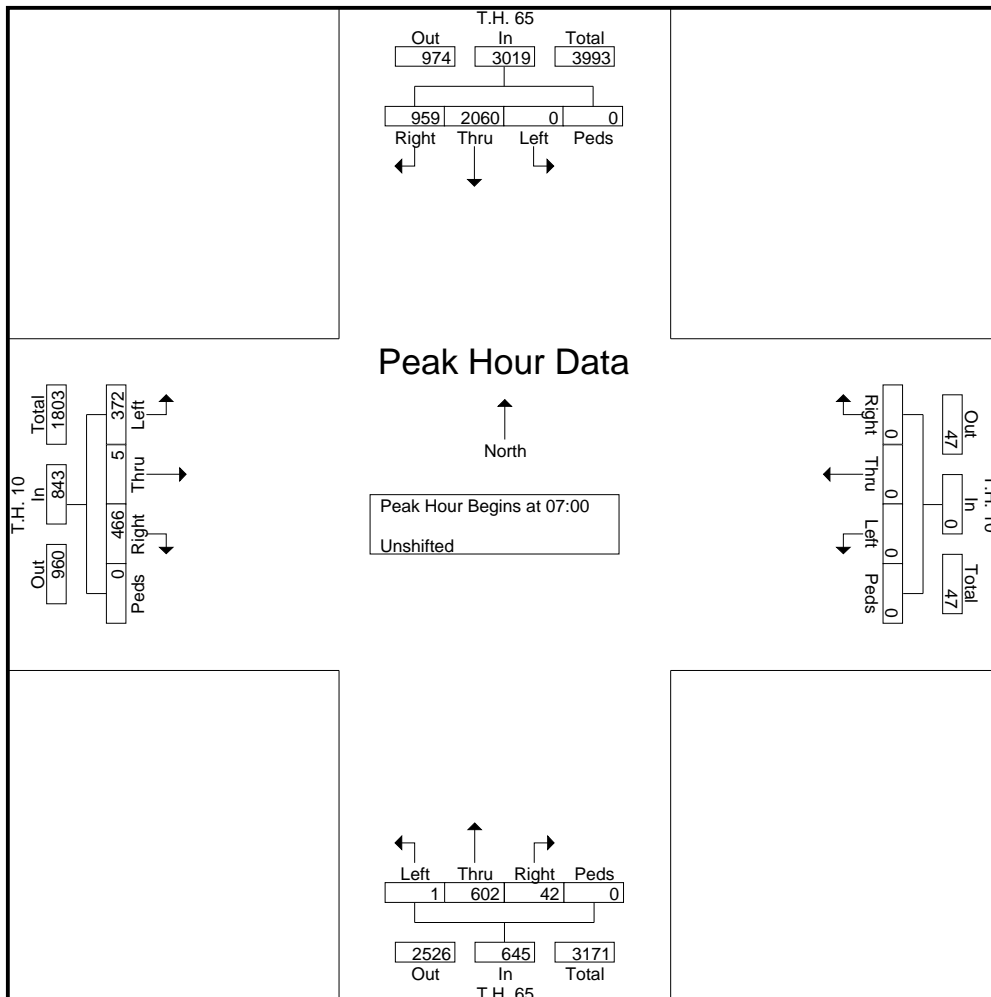


MINNESOTA DEPT OF TRANSPORTATION

TRAFFIC DATA COLLECTION - METRO

File Name : T.H. 65 at T.H. 10 South
 Site Code : 00000020
 Start Date : 8/20/2003
 Page No : 3

Start Time	T.H. 65 Southbound					T.H. 10 Westbound					T.H. 65 Northbound					T.H. 10 Eastbound					Int. Total
	Left	Thru	Right	Peds	App. Total	Left	Thru	Right	Peds	App. Total	Left	Thru	Right	Peds	App. Total	Left	Thru	Right	Peds	App. Total	
Peak Hour Analysis From 06:00 to 09:45 - Peak 1 of 1																					
Peak Hour for Entire Intersection Begins at 07:00																					
07:00	0	465	275	0	740	0	0	0	0	0	1	135	8	0	144	89	0	78	0	167	1051
07:15	0	527	266	0	793	0	0	0	0	0	0	135	8	0	143	74	0	123	0	197	1133
07:30	0	531	214	0	745	0	0	0	0	0	0	160	12	0	172	123	3	133	0	259	1176
07:45	0	537	204	0	741	0	0	0	0	0	0	172	14	0	186	86	2	132	0	220	1147
Total Volume	0	2060	959	0	3019	0	0	0	0	0	1	602	42	0	645	372	5	466	0	843	4507
% App. Total	0	68.2	31.8	0		0	0	0	0		0.2	93.3	6.5	0		44.1	0.6	55.3	0		
PHF	.000	.959	.872	.000	.952	.000	.000	.000	.000	.000	.250	.875	.750	.000	.867	.756	.417	.876	.000	.814	.958



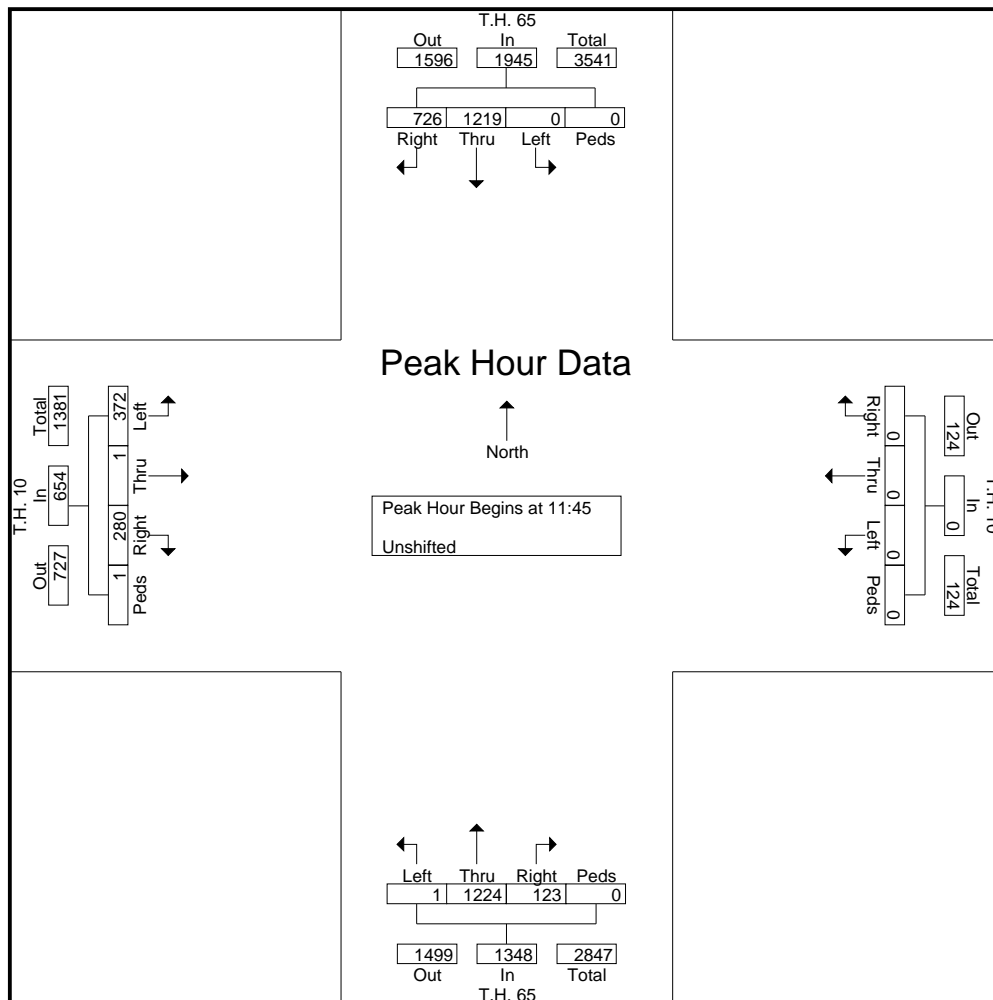


MINNESOTA DEPT OF TRANSPORTATION

TRAFFIC DATA COLLECTION - METRO

File Name : T.H. 65 at T.H. 10 South
 Site Code : 00000020
 Start Date : 8/20/2003
 Page No : 4

Start Time	T.H. 65 Southbound					T.H. 10 Westbound					T.H. 65 Northbound					T.H. 10 Eastbound					Int. Total
	Left	Thru	Right	Peds	App. Total	Left	Thru	Right	Peds	App. Total	Left	Thru	Right	Peds	App. Total	Left	Thru	Right	Peds	App. Total	
Peak Hour Analysis From 10:00 to 13:45 - Peak 1 of 1																					
Peak Hour for Entire Intersection Begins at 11:45																					
11:45	0	314	170	0	484	0	0	0	0	0	1	300	31	0	332	80	0	65	0	145	961
12:00	0	320	207	0	527	0	0	0	0	0	0	293	23	0	316	101	1	75	0	177	1020
12:15	0	267	176	0	443	0	0	0	0	0	0	291	39	0	330	92	0	70	0	162	935
12:30	0	318	173	0	491	0	0	0	0	0	0	340	30	0	370	99	0	70	1	170	1031
Total Volume	0	1219	726	0	1945	0	0	0	0	0	1	1224	123	0	1348	372	1	280	1	654	3947
% App. Total	0	62.7	37.3	0		0	0	0	0		0.1	90.8	9.1	0		56.9	0.2	42.8	0.2		
PHF	.000	.952	.877	.000	.923	.000	.000	.000	.000	.000	.250	.900	.788	.000	.911	.921	.250	.933	.250	.924	.957





MINNESOTA DEPT OF TRANSPORTATION

TRAFFIC DATA COLLECTION - METRO

File Name : T.H. 65 at T.H. 10 South
 Site Code : 00000020
 Start Date : 8/20/2003
 Page No : 5

Start Time	T.H. 65 Southbound					T.H. 10 Westbound					T.H. 65 Northbound					T.H. 10 Eastbound					Int. Total
	Left	Thru	Right	Peds	App. Total	Left	Thru	Right	Peds	App. Total	Left	Thru	Right	Peds	App. Total	Left	Thru	Right	Peds	App. Total	
Peak Hour Analysis From 14:00 to 17:45 - Peak 1 of 1																					
Peak Hour for Entire Intersection Begins at 16:30																					
16:30	0	294	221	0	515	0	0	0	0	0	0	481	44	0	525	124	0	88	1	213	1253
16:45	0	246	182	0	428	0	0	0	0	0	0	525	38	0	563	116	1	73	0	190	1181
17:00	0	335	187	0	522	0	0	0	0	0	0	512	38	0	550	104	2	83	0	189	1261
17:15	0	235	209	0	444	0	0	0	0	0	0	539	24	0	563	126	0	74	0	200	1207
Total Volume	0	1110	799	0	1909	0	0	0	0	0	0	2057	144	0	2201	470	3	318	1	792	4902
% App. Total	0	58.1	41.9	0		0	0	0	0		0	93.5	6.5	0		59.3	0.4	40.2	0.1		
PHF	.000	.828	.904	.000	.914	.000	.000	.000	.000	.000	.000	.954	.818	.000	.977	.933	.375	.903	.250	.930	.972

