

Location: TH 65 at Mississippi Avenue
 Count Date: 4/13/2017
 Counted By: JDA



TURNING MOVEMENT COUNT DATA

All Vehicles

Start Time	TH 65				Mississippi Avenue				TH 65				Mississippi Avenue				Int. Total
	Southbound				Westbound				Northbound				Eastbound				
	Left	Thru	Right	Peds	Left	Thru	Right	Peds	Left	Thru	Right	Peds	Left	Thru	Right	Peds	
6:00	1	292	7	0	6	1	5	0	1	69	5	0	7	2	8	0	404
6:15	4	376	15	0	8	1	6	0	7	111	3	1	8	6	7	0	552
6:30	7	499	21	0	4	3	8	0	1	147	5	3	6	10	12	0	723
6:45	7	426	16	0	13	11	8	0	2	149	12	0	6	11	9	0	670
7:00	13	537	29	1	13	12	8	0	3	170	14	0	12	7	13	0	831
7:15	7	512	19	1	16	15	10	0	5	164	10	0	10	28	15	0	811
7:30	7	512	25	0	16	28	6	0	9	176	9	0	19	13	12	0	832
7:45	6	520	35	0	10	25	6	0	7	202	12	0	12	16	13	0	864
8:00	12	462	20	0	11	18	4	0	10	177	16	0	11	19	11	0	771
8:15	7	353	17	0	13	12	10	0	4	156	13	0	12	10	10	0	617
8:30	5	346	9	0	11	18	15	0	5	169	10	1	13	7	4	0	612
8:45	14	271	21	0	11	36	6	0	18	188	15	0	19	24	15	0	638
9:00	10	246	14	1	6	22	13	0	12	139	8	0	20	31	24	0	545
9:15	15	240	14	0	8	10	7	0	8	154	4	0	7	15	6	0	488
9:30	7	224	9	1	5	22	12	0	2	156	10	0	9	15	12	0	483
9:45	8	231	18	0	7	18	10	0	9	168	3	1	21	14	8	0	515
10:00	8	184	10	0	9	8	9	0	10	189	4	0	15	10	12	0	468
10:15	7	214	16	0	11	16	10	0	9	147	4	0	9	14	12	0	469
10:30	16	208	7	0	10	7	10	0	6	248	4	2	15	12	6	0	549
10:45	11	204	8	0	11	16	12	0	5	154	8	1	11	14	8	0	462
11:00	9	141	10	0	13	7	9	0	10	212	8	1	18	25	13	0	475
11:15	14	212	9	0	9	11	13	0	20	167	8	0	12	8	13	0	496
11:30	11	221	6	1	10	18	8	0	15	214	6	1	5	16	6	0	536
11:45	16	195	19	0	14	14	8	0	7	209	11	0	8	12	14	0	527
12:00	6	208	11	0	7	13	16	0	10	184	10	0	24	21	6	0	516
12:15	12	198	17	0	10	16	13	0	18	224	11	1	15	15	14	0	563
12:30	14	234	9	0	4	17	19	0	11	227	7	0	14	11	10	0	577
12:45	13	170	13	0	8	13	9	0	18	225	9	0	19	14	16	0	527
13:00	15	234	14	0	9	19	16	0	5	207	13	0	20	21	15	0	588
13:15	22	195	14	0	10	20	9	1	13	221	12	1	21	16	12	1	565
13:30	10	206	13	0	12	11	16	0	19	228	11	0	14	17	15	0	572
13:45	19	211	10	0	14	14	16	0	22	217	14	0	19	21	10	0	587
14:00	14	220	10	0	14	17	18	0	11	213	10	0	11	13	8	0	559
14:15	13	230	10	0	10	24	18	0	20	291	9	0	18	21	6	0	670
14:30	14	214	15	1	13	24	24	0	16	320	6	0	18	20	7	0	691
14:45	15	228	15	0	6	11	26	4	20	326	8	1	20	24	15	0	714
15:00	13	272	16	0	21	32	11	0	17	322	13	1	26	25	7	1	775
15:15	18	279	24	0	5	27	16	0	21	347	13	1	25	24	10	0	809
15:30	17	216	16	0	15	39	17	0	24	383	8	0	27	24	5	0	791
15:45	23	229	19	0	11	30	23	0	33	407	17	0	25	45	21	1	883
16:00	27	226	10	0	12	34	19	0	29	435	14	0	38	20	15	0	879
16:15	20	280	15	0	10	38	20	0	24	514	8	7	23	18	14	0	984
16:30	30	237	24	0	12	31	19	0	20	525	7	1	19	33	13	0	970
16:45	24	255	19	0	16	45	15	1	28	463	17	1	28	22	18	0	950
17:00	13	190	18	0	14	45	14	0	27	524	13	0	25	28	11	0	922
17:15	19	241	27	2	15	38	9	0	22	559	22	0	29	28	13	1	1022
17:30	19	209	18	0	18	45	14	0	24	424	27	0	22	36	14	0	870
17:45	18	179	22	0	10	32	18	0	25	389	13	0	26	39	9	0	780
18:00	9	189	22	0	8	24	7	0	19	384	10	0	22	11	13	0	718
18:15	15	213	15	0	12	18	20	0	22	340	8	0	11	15	12	0	701
18:30	15	194	9	0	9	24	8	1	23	294	13	1	19	22	8	0	638
18:45	12	227	20	1	8	19	15	0	13	252	18	0	13	19	10	0	626
Total	681	13810	819	9	558	1069	658	7	739	13480	543	26	876	962	590	4	34785
Cars+	671	13368	803	5	538	1039	643	7	724	13008	523	21	847	948	585	1	33697
Trucks	10	442	16	4	20	30	15	0	15	472	20	5	29	14	5	3	1088
% Trucks	1.5	3.3	2.0	80.0	3.7	2.9	2.3	0.0	2.1	3.6	3.8	23.8	3.4	1.5	0.9	300.0	3.2
	3.2				2.9				3.6				2.0				

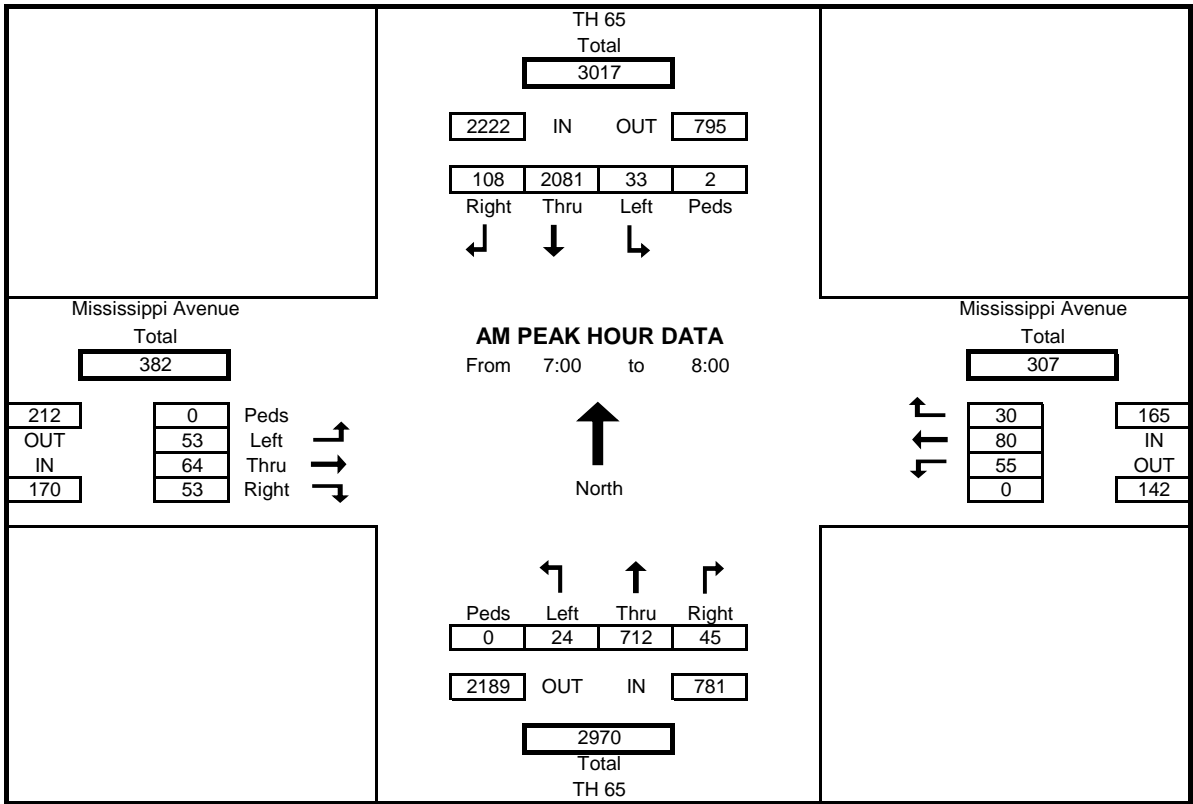
Location: TH 65 at Mississippi Avenue
 Count Date: 4/13/2017
 Counted By: JDA



AM PEAK HOUR TURNING MOVEMENT DATA
 All Vehicles

Start Time	TH 65				Mississippi Avenue				TH 65				Mississippi Avenue				Int. Total
	Southbound				Westbound				Northbound				Eastbound				
	Left	Thru	Right	Peds	Left	Thru	Right	Peds	Left	Thru	Right	Peds	Left	Thru	Right	Peds	
7:00	13	537	29	1	13	12	8	0	3	170	14	0	12	7	13	0	831
7:15	7	512	19	1	16	15	10	0	5	164	10	0	10	28	15	0	811
7:30	7	512	25	0	16	28	6	0	9	176	9	0	19	13	12	0	832
7:45	6	520	35	0	10	25	6	0	7	202	12	0	12	16	13	0	864
Total	33	2081	108	2	55	80	30	0	24	712	45	0	53	64	53	0	3338
% App. Total	1.5	93.6	4.9	0.1	2.5	3.6	1.3	0.0	1.1	32.0	2.0	0.0	2.4	2.9	2.4	0.0	
PHF	0.635	0.969	0.771	0.500	0.859	0.714	0.750	0.000	0.667	0.881	0.804	0.000	0.697	0.571	0.883	0.000	0.966

% Trucks	0.0	2.3	1.9	#DIV/0!	5.8	6.7	0.0	0.0	9.1	6.6	2.3	0.0	1.9	1.6	1.9	0.0	3.3
			2.3				5.1				6.4				1.8		

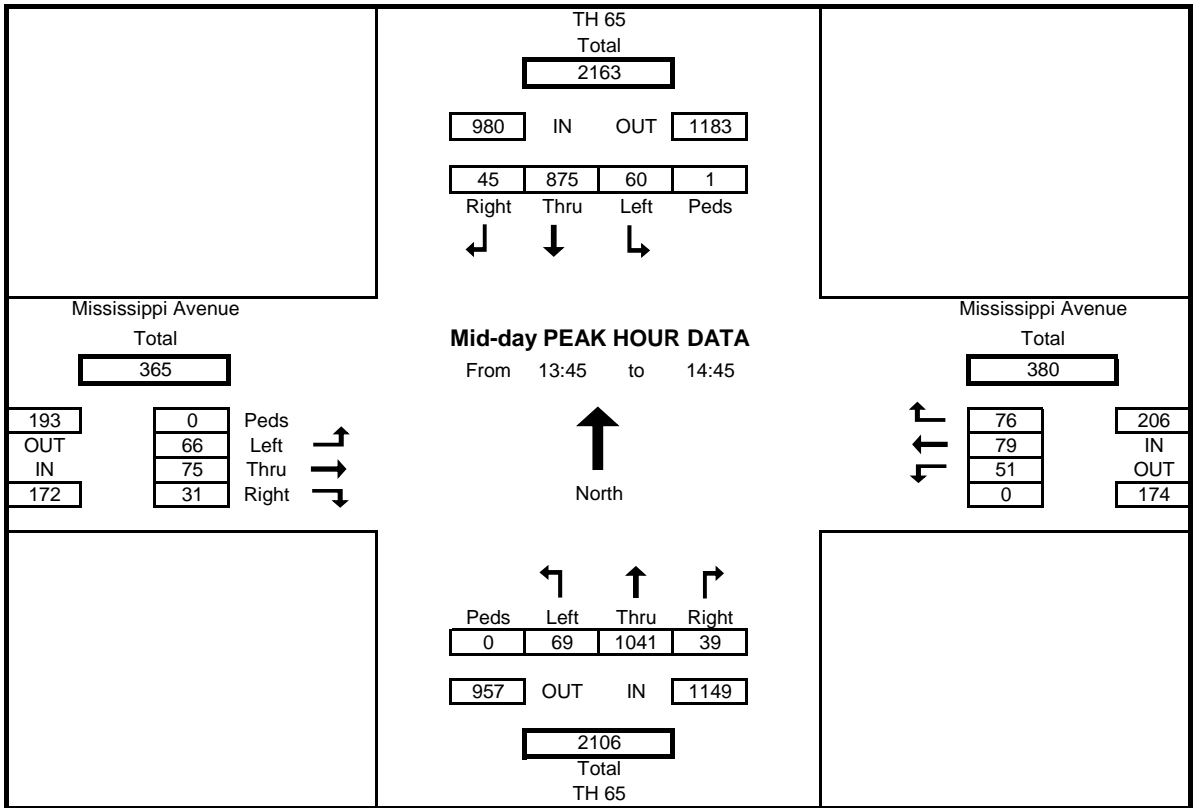


Location: TH 65 at Mississippi Avenue
 Count Date: 4/13/2017
 Counted By: JDA



Mid-Day PEAK HOUR TURNING MOVEMENT DATA
 All Vehicles

Start Time	TH 65				Mississippi Avenue				TH 65				Mississippi Avenue				Int. Total
	Southbound				Westbound				Northbound				Eastbound				
	Left	Thru	Right	Peds	Left	Thru	Right	Peds	Left	Thru	Right	Peds	Left	Thru	Right	Peds	
13:45	19	211	10	0	14	14	16	0	22	217	14	0	19	21	10	0	587
14:00	14	220	10	0	14	17	18	0	11	213	10	0	11	13	8	0	559
14:15	13	230	10	0	10	24	18	0	20	291	9	0	18	21	6	0	670
14:30	14	214	15	1	13	24	24	0	16	320	6	0	18	20	7	0	691
Total	60	875	45	1	51	79	76	0	69	1041	39	0	66	75	31	0	2507
% App. Total	6.1	89.2	4.6	0.1	5.2	8.1	7.7	0.0	7.0	106.1	4.0	0.0	6.7	7.6	3.2	0.0	
PHF	0.789	0.951	0.750	0.250	0.911	0.823	0.792	0.000	0.784	0.813	0.696	0.000	0.868	0.893	0.775	0.000	0.907
% Trucks	3.4	5.0	2.3	0.0	6.3	1.3	4.1	0.0	0.0	3.9	5.4	0.0	1.5	2.7	0.0	0.0	4.0
	4.8				3.5				3.7				1.8				

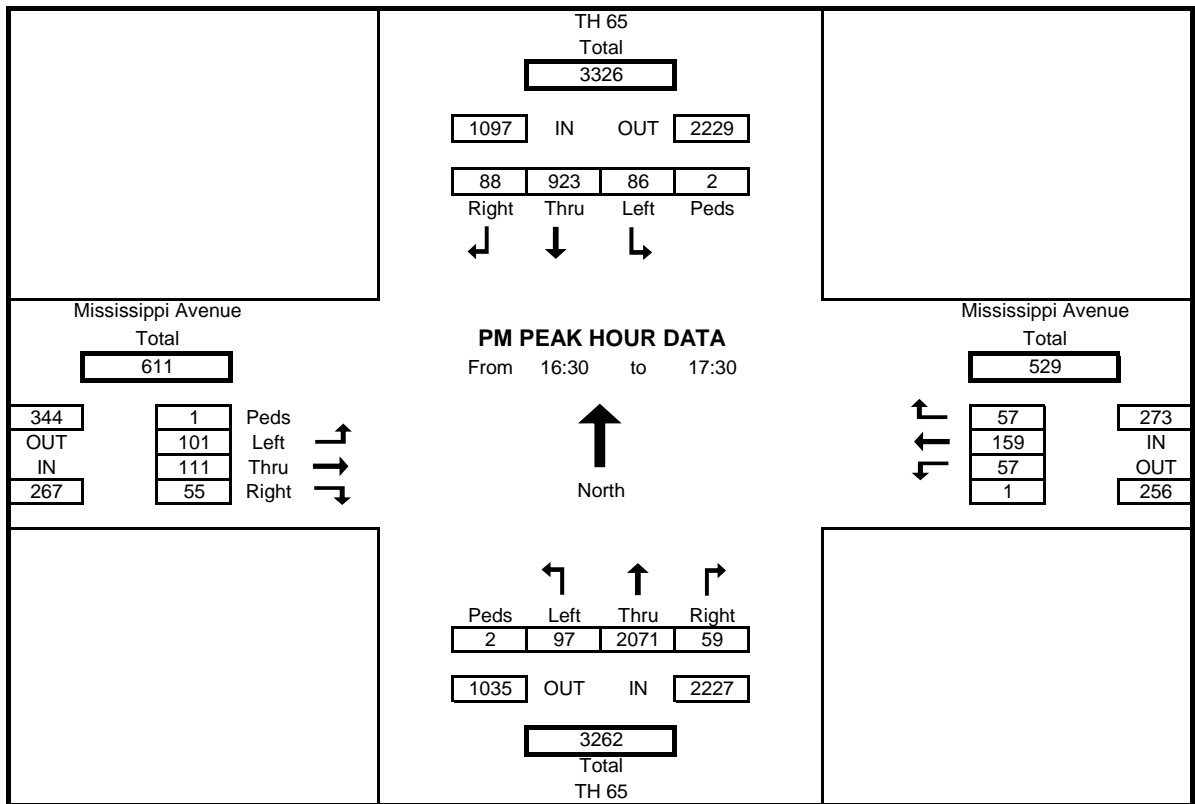


Location: TH 65 at Mississippi Avenue
 Count Date: 4/13/2017
 Counted By: JDA



AM PEAK HOUR TURNING MOVEMENT DATA
 All Vehicles

Start Time	TH 65				Mississippi Avenue				TH 65				Mississippi Avenue				Int. Total
	Southbound				Westbound				Northbound				Eastbound				
	Left	Thru	Right	Peds	Left	Thru	Right	Peds	Left	Thru	Right	Peds	Left	Thru	Right	Peds	
16:30	30	237	24	0	12	31	19	0	20	525	7	1	19	33	13	0	970
16:45	24	255	19	0	16	45	15	1	28	463	17	1	28	22	18	0	950
17:00	13	190	18	0	14	45	14	0	27	524	13	0	25	28	11	0	922
17:15	19	241	27	2	15	38	9	0	22	559	22	0	29	28	13	1	1022
Total	86	923	88	2	57	159	57	1	97	2071	59	2	101	111	55	1	3864
% App. Total	7.8	84.0	8.0	0.2	5.2	14.5	5.2	0.1	8.8	188.4	5.4	0.2	9.2	10.1	5.0	0.1	
PHF	0.717	0.905	0.815	0.250	0.891	0.883	0.750	0.250	0.866	0.926	0.670	0.500	0.871	0.841	0.764	0.250	0.945
% Trucks	0.0	1.2	1.1	100.0	5.6	0.6	0.0	0.0	0.0	1.5	0.0	100.0	3.1	2.8	0.0	#DIV/0!	1.4
			1.1				1.5				1.4			2.3			



Location: TH 65 at Mississippi Avenue
 Count Date: 4/13/2017
 Counted By: JDA



TURNING MOVEMENT COUNT DATA

Cars+

Start Time	TH 65				Mississippi Avenue				TH 65				Mississippi Avenue				Int. Total
	Southbound				Westbound				Northbound				Eastbound				
	Left	Thru	Right	Peds	Left	Thru	Right	Peds	Left	Thru	Right	Peds	Left	Thru	Right	Peds	
6:00	1	280	7	0	6	0	5	0	1	67	4	0	7	2	8	0	388
6:15	3	366	14	0	8	1	6	0	7	107	2	1	8	6	7	0	535
6:30	7	483	21	0	3	3	8	0	1	141	4	3	6	9	12	0	698
6:45	7	406	16	0	12	11	7	0	2	147	11	0	6	11	9	0	645
7:00	13	529	29	0	12	10	8	0	3	159	13	0	12	7	13	0	808
7:15	7	504	19	0	16	15	10	0	5	157	10	0	10	28	14	0	795
7:30	7	494	24	0	14	27	6	0	7	172	9	0	19	12	12	0	803
7:45	6	507	34	0	10	23	6	0	7	180	12	0	11	16	13	0	825
8:00	12	453	20	0	11	16	4	0	9	157	15	0	11	19	11	0	738
8:15	6	341	17	0	13	12	9	0	4	146	13	0	11	10	10	0	592
8:30	5	333	8	0	10	18	14	0	5	161	9	0	13	7	4	0	587
8:45	14	263	20	0	11	32	6	0	15	179	14	0	18	24	15	0	611
9:00	10	235	13	1	6	20	12	0	12	131	8	0	14	31	24	0	516
9:15	14	228	13	0	8	10	7	0	8	149	4	0	6	15	6	0	468
9:30	7	217	8	1	5	22	10	0	2	148	9	0	8	14	12	0	462
9:45	8	216	18	0	7	17	9	0	9	159	3	1	20	14	8	0	488
10:00	8	179	9	0	8	8	9	0	10	181	4	0	13	10	12	0	451
10:15	6	201	16	0	10	15	10	0	8	134	4	0	9	14	12	0	439
10:30	16	199	7	0	10	6	9	0	5	236	3	2	14	12	6	0	523
10:45	10	193	8	0	11	16	12	0	5	143	7	1	10	14	7	0	436
11:00	9	130	10	0	13	7	8	0	8	197	7	1	16	25	13	0	443
11:15	14	204	9	0	9	11	13	0	19	161	7	0	12	8	13	0	480
11:30	11	208	6	1	9	16	8	0	15	202	6	0	5	16	6	0	508
11:45	16	187	19	0	13	14	8	0	7	198	10	0	8	12	14	0	506
12:00	6	200	11	0	7	12	16	0	10	177	10	0	24	21	6	0	500
12:15	12	190	17	0	10	16	13	0	18	218	11	1	15	15	14	0	549
12:30	13	226	9	0	4	15	17	0	11	220	7	0	13	10	10	0	555
12:45	13	166	13	0	8	13	9	0	18	212	9	0	16	13	16	0	506
13:00	15	222	13	0	8	19	16	0	5	201	13	0	19	21	15	0	567
13:15	22	188	13	0	10	20	8	1	13	211	12	1	21	16	12	1	546
13:30	10	198	13	0	12	11	16	0	19	210	10	0	14	17	14	0	544
13:45	18	197	10	0	14	14	16	0	22	204	14	0	19	21	10	0	559
14:00	14	207	9	0	14	17	18	0	11	209	10	0	11	12	8	0	540
14:15	12	223	10	0	8	24	15	0	20	282	8	0	17	20	6	0	645
14:30	14	206	15	1	12	23	24	0	16	307	5	0	18	20	7	0	667
14:45	14	211	15	0	6	11	26	4	20	318	8	1	20	23	15	0	687
15:00	13	267	16	0	21	30	11	0	16	308	13	1	26	24	7	0	752
15:15	18	268	23	0	5	27	16	0	21	332	13	1	23	24	9	0	779
15:30	17	210	16	0	13	36	17	0	23	372	8	0	27	24	5	0	768
15:45	23	228	19	0	11	29	23	0	33	399	16	0	25	43	21	0	870
16:00	27	220	10	0	12	34	19	0	29	421	13	0	38	20	15	0	858
16:15	19	277	15	0	10	38	20	0	24	505	7	5	23	18	14	0	970
16:30	30	232	24	0	11	30	19	0	20	520	7	0	17	33	13	0	956
16:45	24	253	19	0	14	45	15	1	28	453	17	1	28	22	18	0	936
17:00	13	190	17	0	14	45	14	0	27	515	13	0	24	27	11	0	910
17:15	19	237	27	1	15	38	9	0	22	553	22	0	29	26	13	0	1010
17:30	19	206	17	0	18	45	14	0	24	417	27	0	22	36	13	0	858
17:45	18	176	22	0	10	32	18	0	25	384	13	0	26	39	9	0	772
18:00	9	188	22	0	8	24	7	0	18	376	10	0	22	11	13	0	708
18:15	15	210	14	0	11	18	20	0	21	335	8	0	11	15	12	0	690
18:30	15	194	9	0	9	24	8	1	23	289	13	1	19	22	8	0	633
18:45	12	222	20	0	8	19	15	0	13	248	18	0	13	19	10	0	617
Total	671	13368	803	5	538	1039	643	7	724	13008	523	21	847	948	585	1	33697
Cars+	671	13368	803	5	538	1039	643	7	724	13008	523	21	847	948	585	1	33697
Trucks	10	442	16	4	20	30	15	0	15	472	20	5	29	14	5	3	1088
% Trucks	1.5	3.3	2.0	80.0	3.7	2.9	2.3	0.0	2.1	3.6	3.8	23.8	3.4	1.5	0.9	300.0	3.2
	3.2				2.9				3.6				2.0				

Location: TH 65 at Mississippi Avenue
 Count Date: 4/13/2017
 Counted By: JDA



TURNING MOVEMENT COUNT DATA
Heavy Vehicles

Start Time	TH 65				Mississippi Avenue				TH 65				Mississippi Avenue				Int. Total
	Southbound				Westbound				Northbound				Eastbound				
	Left	Thru	Right	Bikes	Left	Thru	Right	Bikes	Left	Thru	Right	Bikes	Left	Thru	Right	Bikes	
6:00	0	12	0	0	0	1	0	0	0	2	1	0	0	0	0	0	16
6:15	1	10	1	0	0	0	0	0	0	4	1	0	0	0	0	0	17
6:30	0	16	0	0	1	0	0	0	0	6	1	0	0	1	0	0	25
6:45	0	20	0	0	1	0	1	0	0	2	1	0	0	0	0	0	25
7:00	0	8	0	1	1	2	0	0	0	11	1	0	0	0	0	0	23
7:15	0	8	0	1	0	0	0	0	0	7	0	0	0	0	1	0	16
7:30	0	18	1	0	2	1	0	0	2	4	0	0	0	1	0	0	29
7:45	0	13	1	0	0	2	0	0	0	22	0	0	1	0	0	0	39
8:00	0	9	0	0	0	2	0	0	1	20	1	0	0	0	0	0	33
8:15	1	12	0	0	0	0	1	0	0	10	0	0	1	0	0	0	25
8:30	0	13	1	0	1	0	1	0	0	8	1	1	0	0	0	0	25
8:45	0	8	1	0	0	4	0	0	3	9	1	0	1	0	0	0	27
9:00	0	11	1	0	0	2	1	0	0	8	0	0	6	0	0	0	29
9:15	1	12	1	0	0	0	0	0	0	5	0	0	1	0	0	0	20
9:30	0	7	1	0	0	0	2	0	0	8	1	0	1	1	0	0	21
9:45	0	15	0	0	0	1	1	0	0	9	0	0	1	0	0	0	27
10:00	0	5	1	0	1	0	0	0	0	8	0	0	2	0	0	0	17
10:15	1	13	0	0	1	1	0	0	1	13	0	0	0	0	0	0	30
10:30	0	9	0	0	0	1	1	0	1	12	1	0	1	0	0	0	26
10:45	1	11	0	0	0	0	0	0	0	11	1	0	1	0	1	0	26
11:00	0	11	0	0	0	0	1	0	2	15	1	0	2	0	0	0	32
11:15	0	8	0	0	0	0	0	0	1	6	1	0	0	0	0	0	16
11:30	0	13	0	0	1	2	0	0	0	12	0	1	0	0	0	0	28
11:45	0	8	0	0	1	0	0	0	0	11	1	0	0	0	0	0	21
12:00	0	8	0	0	0	1	0	0	0	7	0	0	0	0	0	0	16
12:15	0	8	0	0	0	0	0	0	0	6	0	0	0	0	0	0	14
12:30	1	8	0	0	0	2	2	0	0	7	0	0	1	1	0	0	22
12:45	0	4	0	0	0	0	0	0	0	13	0	0	3	1	0	0	21
13:00	0	12	1	0	1	0	0	0	0	6	0	0	1	0	0	0	21
13:15	0	7	1	0	0	0	1	0	0	10	0	0	0	0	0	0	19
13:30	0	8	0	0	0	0	0	0	0	18	1	0	0	0	1	0	28
13:45	1	14	0	0	0	0	0	0	0	13	0	0	0	0	0	0	28
14:00	0	13	1	0	0	0	0	0	0	4	0	0	0	1	0	0	19
14:15	1	7	0	0	2	0	3	0	0	9	1	0	1	1	0	0	25
14:30	0	8	0	0	1	1	0	0	0	13	1	0	0	0	0	0	24
14:45	1	17	0	0	0	0	0	0	0	8	0	0	0	1	0	0	27
15:00	0	5	0	0	0	2	0	0	1	14	0	0	0	1	0	1	23
15:15	0	11	1	0	0	0	0	0	0	15	0	0	2	0	1	0	30
15:30	0	6	0	0	2	3	0	0	1	11	0	0	0	0	0	0	23
15:45	0	1	0	0	0	1	0	0	0	8	1	0	0	2	0	1	13
16:00	0	6	0	0	0	0	0	0	0	14	1	0	0	0	0	0	21
16:15	1	3	0	0	0	0	0	0	0	9	1	2	0	0	0	0	14
16:30	0	5	0	0	1	1	0	0	0	5	0	1	2	0	0	0	14
16:45	0	2	0	0	2	0	0	0	0	10	0	0	0	0	0	0	14
17:00	0	0	1	0	0	0	0	0	0	9	0	0	1	1	0	0	12
17:15	0	4	0	1	0	0	0	0	0	6	0	0	0	2	0	1	12
17:30	0	3	1	0	0	0	0	0	0	7	0	0	0	0	1	0	12
17:45	0	3	0	0	0	0	0	0	0	5	0	0	0	0	0	0	8
18:00	0	1	0	0	0	0	0	0	1	8	0	0	0	0	0	0	10
18:15	0	3	1	0	1	0	0	0	1	5	0	0	0	0	0	0	11
18:30	0	0	0	0	0	0	0	0	0	5	0	0	0	0	0	0	5
18:45	0	5	0	1	0	0	0	0	0	4	0	0	0	0	0	0	9
Total	10	442	16	4	20	30	15	0	15	472	20	5	29	14	5	3	1088
Cars+	671	13368	803	5	538	1039	643	7	724	13008	523	21	847	948	585	1	33697
Trucks	10	442	16	4	20	30	15	0	15	472	20	5	29	14	5	3	1088
% Trucks	1.5	3.3	2.0	80.0	3.7	2.9	2.3	0.0	2.1	3.6	3.8	23.8	3.4	1.5	0.9	300.0	3.2
	3.2				2.9				3.6				2.0				