



MINNESOTA DEPT OF TRANSPORTATION

TRAFFIC DATA COLLECTION - METRO

loc: th 65 @ 52nd av n 2003
 ref pt: 005+00.991
 data collected by: alliant eng
 tmc: am noon pm

File Name : T.H. 65 at 52nd
 Site Code : 00000008
 Start Date : 8/5/2003
 Page No : 1

Groups Printed- Unshifted

Start Time	T.H. 65 Southbound					52nd Ave. NE Westbound					T.H. 65 Northbound					52nd Ave. NE Eastbound					Int. Total
	Left	Thru	Right	Peds	App. Total	Left	Thru	Right	Peds	App. Total	Left	Thru	Right	Peds	App. Total	Left	Thru	Right	Peds	App. Total	
06:00	2	93	5	0	100	3	0	2	0	5	1	95	0	0	96	2	0	0	0	2	203
06:15	1	134	1	0	136	3	0	1	1	5	1	102	4	1	108	0	0	0	1	1	250
06:30	2	197	1	0	200	5	0	7	0	12	5	120	7	0	132	1	0	1	2	4	348
06:45	2	208	0	3	213	7	1	3	3	14	4	107	5	0	116	2	0	2	0	4	347
Total	7	632	7	3	649	18	1	13	4	36	11	424	16	1	452	5	0	3	3	11	1148
07:00	4	242	1	2	249	5	0	5	3	13	2	104	6	1	113	0	0	1	0	1	376
07:15	8	236	0	5	249	6	0	6	1	13	4	131	6	0	141	3	0	0	2	5	408
07:30	8	267	2	1	278	5	0	9	0	14	8	153	7	1	169	4	0	4	0	8	469
07:45	12	227	2	0	241	17	0	6	0	23	5	120	13	0	138	1	1	2	0	4	406
Total	32	972	5	8	1017	33	0	26	4	63	19	508	32	2	561	8	1	7	2	18	1659
08:00	3	174	4	1	182	7	1	10	0	18	7	135	5	0	147	4	0	4	1	9	356
08:15	9	186	1	0	196	5	1	6	0	12	7	130	10	0	147	3	0	2	1	6	361
08:30	9	151	2	0	162	6	0	12	0	18	6	169	3	1	179	1	1	4	0	6	365
08:45	5	199	2	2	208	6	0	4	0	10	7	137	16	0	160	0	1	3	2	6	384
Total	26	710	9	3	748	24	2	32	0	58	27	571	34	1	633	8	2	13	4	27	1466
11:00	15	239	4	0	258	14	1	18	0	33	16	207	16	0	239	4	0	7	0	11	541
11:15	16	238	1	0	255	10	1	14	0	25	9	228	12	0	249	4	0	4	0	8	537
11:30	13	276	3	0	292	8	2	15	0	25	13	231	16	0	260	7	0	8	1	16	593
11:45	16	286	1	0	303	15	0	16	0	31	16	279	14	0	309	2	1	7	0	10	653
Total	60	1039	9	0	1108	47	4	63	0	114	54	945	58	0	1057	17	1	26	1	45	2324
12:00	28	314	3	0	345	9	0	30	0	39	18	241	18	0	277	6	2	8	0	16	677
12:15	10	255	3	0	268	11	1	18	0	30	9	308	13	0	330	4	1	4	0	9	637
12:30	18	263	1	0	282	18	0	17	0	35	19	311	17	0	347	6	2	5	3	16	680
12:45	12	263	3	0	278	28	1	11	0	40	21	311	16	3	351	3	1	11	0	15	684
Total	68	1095	10	0	1173	66	2	76	0	144	67	1171	64	3	1305	19	6	28	3	56	2678



MINNESOTA DEPT OF TRANSPORTATION

TRAFFIC DATA COLLECTION - METRO

File Name : T.H. 65 at 52nd
 Site Code : 00000008
 Start Date : 8/5/2003
 Page No : 2

Groups Printed- Unshifted

Start Time	T.H. 65 Southbound					52nd Ave. NE Westbound					T.H. 65 Northbound					52nd Ave. NE Eastbound					Int. Total
	Left	Thru	Right	Peds	App. Total	Left	Thru	Right	Peds	App. Total	Left	Thru	Right	Peds	App. Total	Left	Thru	Right	Peds	App. Total	
15:00	7	243	1	0	251	18	2	11	0	31	7	299	19	0	325	2	0	4	2	8	615
15:15	10	224	3	0	237	12	1	19	0	32	12	267	10	0	289	8	1	5	0	14	572
15:30	21	239	1	0	261	11	0	14	0	25	7	293	24	0	324	6	0	8	1	15	625
15:45	14	268	2	0	284	24	2	20	0	46	13	299	23	1	336	2	1	3	0	6	672
Total	52	974	7	0	1033	65	5	64	0	134	39	1158	76	1	1274	18	2	20	3	43	2484
16:00	9	264	5	1	279	13	0	15	0	28	13	321	21	0	355	0	3	6	0	9	671
16:15	18	214	0	1	233	18	0	16	1	35	6	271	22	0	299	10	2	8	0	20	587
16:30	19	211	2	0	232	22	0	18	0	40	8	327	20	0	355	5	0	5	0	10	637
16:45	11	280	2	1	294	18	2	15	3	38	7	292	22	0	321	12	1	9	0	22	675
Total	57	969	9	3	1038	71	2	64	4	141	34	1211	85	0	1330	27	6	28	0	61	2570
17:00	22	290	6	0	318	7	1	21	1	30	10	285	26	1	322	4	1	7	0	12	682
17:15	18	275	0	1	294	26	0	17	0	43	11	351	22	0	384	7	2	10	0	19	740
17:30	13	245	2	1	261	17	0	17	1	35	16	290	25	0	331	7	0	4	0	11	638
17:45	14	264	1	1	280	18	2	18	1	39	13	342	22	0	377	3	3	8	0	14	710
Total	67	1074	9	3	1153	68	3	73	3	147	50	1268	95	1	1414	21	6	29	0	56	2770
Grand Total	369	7465	65	20	7919	392	19	411	15	837	301	7256	460	9	8026	123	24	154	16	317	17099
Apprch %	4.7	94.3	0.8	0.3		46.8	2.3	49.1	1.8		3.8	90.4	5.7	0.1		38.8	7.6	48.6	5		
Total %	2.2	43.7	0.4	0.1	46.3	2.3	0.1	2.4	0.1	4.9	1.8	42.4	2.7	0.1	46.9	0.7	0.1	0.9	0.1	1.9	

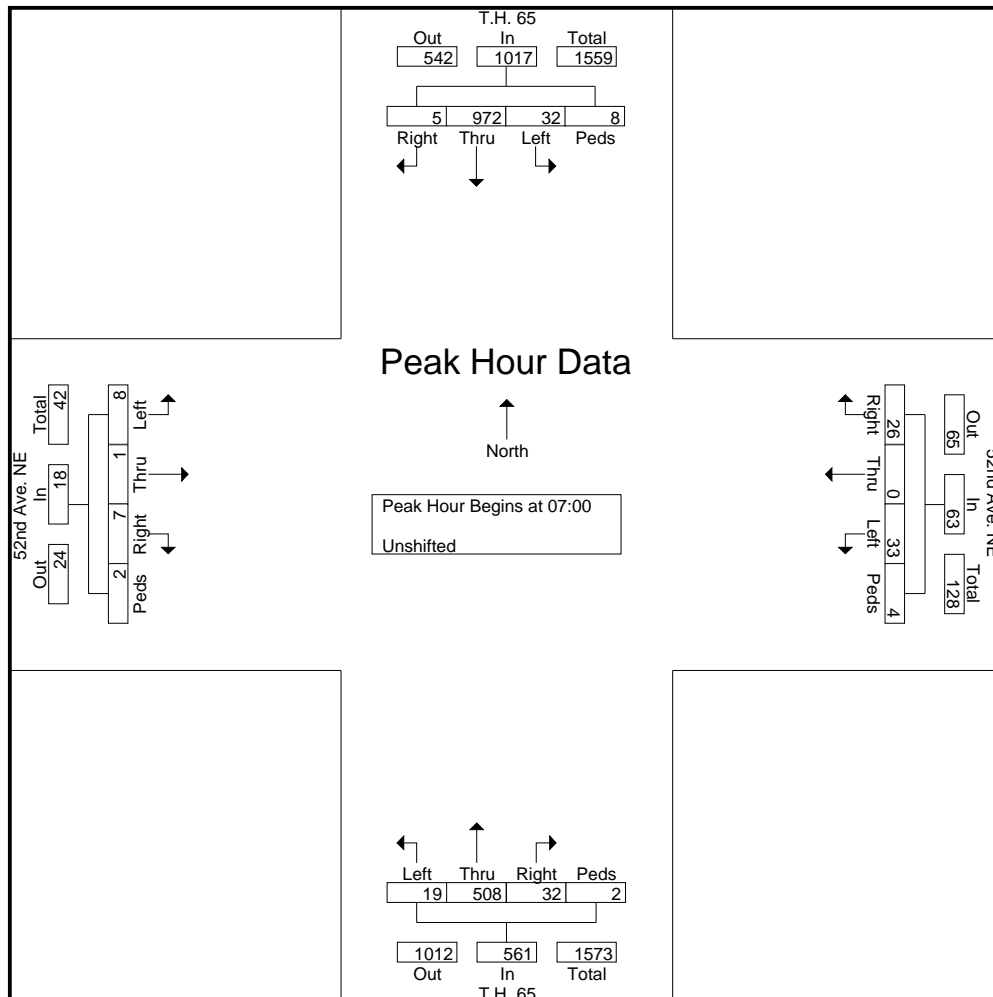


MINNESOTA DEPT OF TRANSPORTATION

TRAFFIC DATA COLLECTION - METRO

File Name : T.H. 65 at 52nd
 Site Code : 00000008
 Start Date : 8/5/2003
 Page No : 3

Start Time	T.H. 65 Southbound					52nd Ave. NE Westbound					T.H. 65 Northbound					52nd Ave. NE Eastbound					Int. Total
	Left	Thru	Right	Peds	App. Total	Left	Thru	Right	Peds	App. Total	Left	Thru	Right	Peds	App. Total	Left	Thru	Right	Peds	App. Total	
Peak Hour Analysis From 06:00 to 09:45 - Peak 1 of 1																					
Peak Hour for Entire Intersection Begins at 07:00																					
07:00	4	242	1	2	249	5	0	5	3	13	2	104	6	1	113	0	0	1	0	1	376
07:15	8	236	0	5	249	6	0	6	1	13	4	131	6	0	141	3	0	0	2	5	408
07:30	8	267	2	1	278	5	0	9	0	14	8	153	7	1	169	4	0	4	0	8	469
07:45	12	227	2	0	241	17	0	6	0	23	5	120	13	0	138	1	1	2	0	4	406
Total Volume	32	972	5	8	1017	33	0	26	4	63	19	508	32	2	561	8	1	7	2	18	1659
% App. Total	3.1	95.6	0.5	0.8		52.4	0	41.3	6.3		3.4	90.6	5.7	0.4		44.4	5.6	38.9	11.1		
PHF	.667	.910	.625	.400	.915	.485	.000	.722	.333	.685	.594	.830	.615	.500	.830	.500	.250	.438	.250	.563	.884



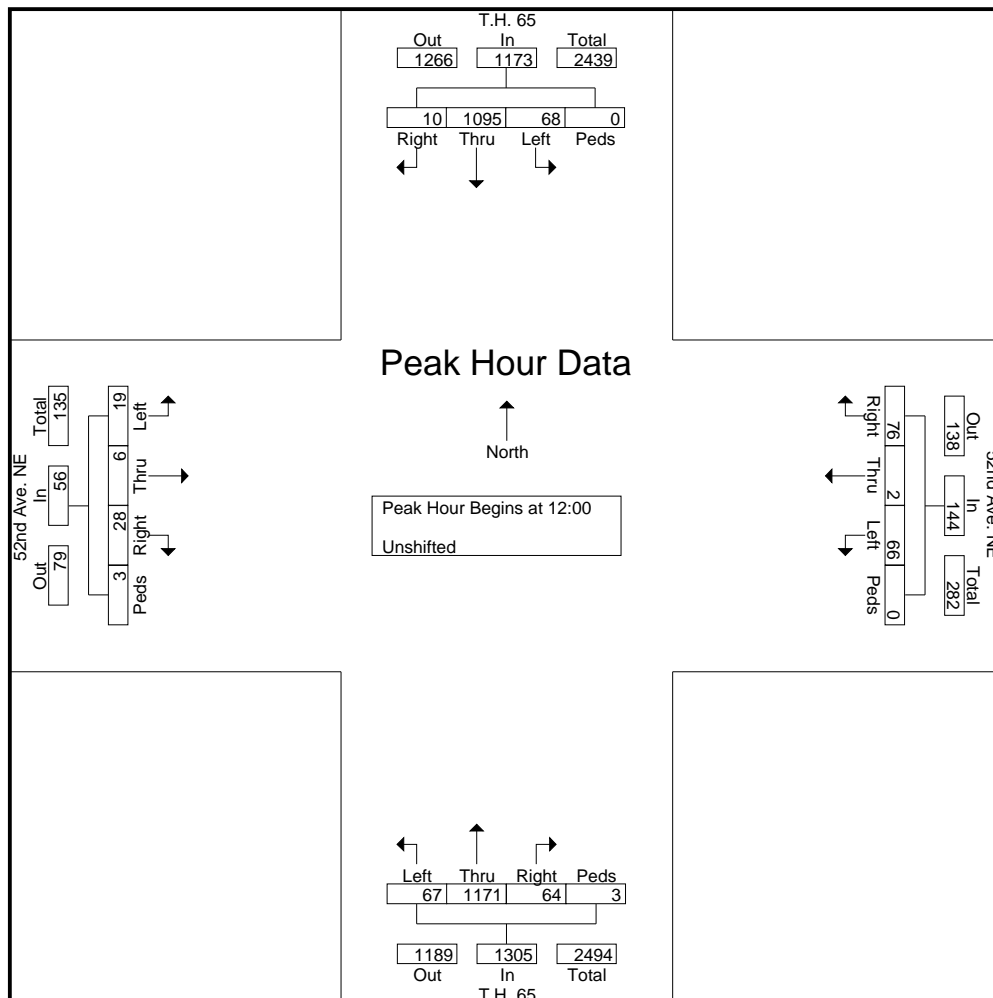


MINNESOTA DEPT OF TRANSPORTATION

TRAFFIC DATA COLLECTION - METRO

File Name : T.H. 65 at 52nd
 Site Code : 00000008
 Start Date : 8/5/2003
 Page No : 4

Start Time	T.H. 65 Southbound					52nd Ave. NE Westbound					T.H. 65 Northbound					52nd Ave. NE Eastbound					Int. Total
	Left	Thru	Right	Peds	App. Total	Left	Thru	Right	Peds	App. Total	Left	Thru	Right	Peds	App. Total	Left	Thru	Right	Peds	App. Total	
Peak Hour Analysis From 10:00 to 13:45 - Peak 1 of 1																					
Peak Hour for Entire Intersection Begins at 12:00																					
12:00	28	314	3	0	345	9	0	30	0	39	18	241	18	0	277	6	2	8	0	16	677
12:15	10	255	3	0	268	11	1	18	0	30	9	308	13	0	330	4	1	4	0	9	637
12:30	18	263	1	0	282	18	0	17	0	35	19	311	17	0	347	6	2	5	3	16	680
12:45	12	263	3	0	278	28	1	11	0	40	21	311	16	3	351	3	1	11	0	15	684
Total Volume	68	1095	10	0	1173	66	2	76	0	144	67	1171	64	3	1305	19	6	28	3	56	2678
% App. Total	5.8	93.4	0.9	0		45.8	1.4	52.8	0		5.1	89.7	4.9	0.2		33.9	10.7	50	5.4		
PHF	.607	.872	.833	.000	.850	.589	.500	.633	.000	.900	.798	.941	.889	.250	.929	.792	.750	.636	.250	.875	.979





MINNESOTA DEPT OF TRANSPORTATION

TRAFFIC DATA COLLECTION - METRO

File Name : T.H. 65 at 52nd
 Site Code : 00000008
 Start Date : 8/5/2003
 Page No : 5

Start Time	T.H. 65 Southbound					52nd Ave. NE Westbound					T.H. 65 Northbound					52nd Ave. NE Eastbound					Int. Total
	Left	Thru	Right	Peds	App. Total	Left	Thru	Right	Peds	App. Total	Left	Thru	Right	Peds	App. Total	Left	Thru	Right	Peds	App. Total	
Peak Hour Analysis From 14:00 to 17:45 - Peak 1 of 1																					
Peak Hour for Entire Intersection Begins at 17:00																					
17:00	22	290	6	0	318	7	1	21	1	30	10	285	26	1	322	4	1	7	0	12	682
17:15	18	275	0	1	294	26	0	17	0	43	11	351	22	0	384	7	2	10	0	19	740
17:30	13	245	2	1	261	17	0	17	1	35	16	290	25	0	331	7	0	4	0	11	638
17:45	14	264	1	1	280	18	2	18	1	39	13	342	22	0	377	3	3	8	0	14	710
Total Volume	67	1074	9	3	1153	68	3	73	3	147	50	1268	95	1	1414	21	6	29	0	56	2770
% App. Total	5.8	93.1	0.8	0.3		46.3	2	49.7	2		3.5	89.7	6.7	0.1		37.5	10.7	51.8	0		
PHF	.761	.926	.375	.750	.906	.654	.375	.869	.750	.855	.781	.903	.913	.250	.921	.750	.500	.725	.000	.737	.936

