

Location: TH 65 at 49th Avenue
 Count Date: 4/18/2017
 Counted By: JDA



TURNING MOVEMENT COUNT DATA
 All Vehicles

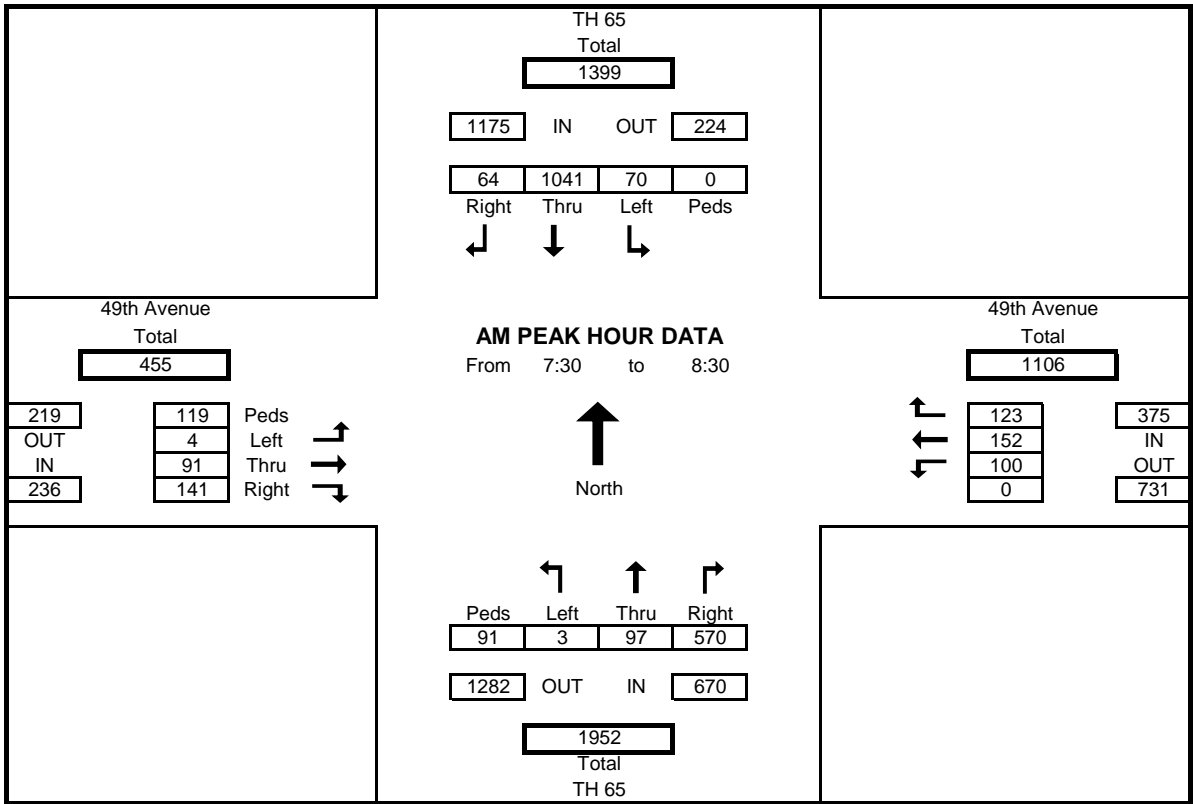
Start Time	TH 65				49th Avenue				TH 65				49th Avenue				Int. Total
	Southbound				Westbound				Northbound				Eastbound				
	Left	Thru	Right	Peds	Left	Thru	Right	Peds	Left	Thru	Right	Peds	Left	Thru	Right	Peds	
6:00	3	115	9	0	2	3	10	0	0	5	71	3	0	5	3	4	226
6:15	3	157	6	0	13	9	11	0	0	9	76	1	0	12	6	2	302
6:30	6	201	8	0	3	10	14	0	0	9	108	2	0	10	6	7	375
6:45	17	204	14	0	4	5	14	0	1	8	95	8	0	5	8	5	375
7:00	30	213	17	0	10	19	11	0	0	12	115	14	0	10	18	13	455
7:15	31	228	17	0	21	31	22	0	1	17	124	22	1	25	31	21	549
7:30	17	215	18	0	31	34	45	0	0	27	159	27	0	22	29	32	597
7:45	19	285	17	0	29	50	26	0	1	24	151	30	2	33	45	38	682
8:00	19	261	14	0	20	41	25	0	1	31	121	24	2	25	50	37	610
8:15	15	280	15	0	20	27	27	0	1	15	139	10	0	11	17	12	567
8:30	12	196	15	0	10	18	18	0	0	14	131	11	1	16	9	16	440
8:45	10	221	13	0	9	12	20	0	0	15	142	5	1	11	13	14	467
9:00	20	181	14	0	12	10	25	1	0	8	139	5	0	9	14	18	432
9:15	16	181	16	0	11	8	20	0	0	10	131	2	0	7	11	7	411
9:30	24	165	12	1	13	8	26	0	0	10	127	3	2	9	15	9	411
9:45	21	151	14	1	7	11	24	0	0	11	127	1	2	11	11	5	390
10:00	14	148	16	0	8	10	23	0	1	9	163	0	1	13	6	10	412
10:15	17	95	3	0	10	8	37	0	0	11	177	1	1	9	2	6	370
10:30	10	174	11	0	4	7	20	0	0	17	158	7	0	12	10	13	423
10:45	20	149	18	0	10	10	24	0	0	16	145	6	0	15	15	5	422
11:00	14	169	14	0	18	8	20	0	0	14	163	11	0	8	15	8	443
11:15	28	177	11	0	13	16	35	0	1	22	169	10	0	14	9	7	495
11:30	37	161	16	0	17	9	28	1	0	20	182	7	1	21	16	14	508
11:45	30	181	19	0	12	9	30	0	0	19	178	7	0	21	18	9	517
12:00	28	180	18	0	16	10	37	1	2	20	226	7	0	16	9	15	562
12:15	26	180	13	0	14	14	31	0	2	20	188	8	1	16	16	14	521
12:30	11	178	26	0	13	10	38	1	0	14	209	9	0	22	13	17	534
12:45	18	203	16	2	7	15	33	0	1	14	200	4	0	21	21	7	549
13:00	25	190	10	2	10	9	29	2	2	23	214	5	0	14	21	20	547
13:15	29	147	15	4	9	9	37	1	0	20	188	7	1	23	19	15	497
13:30	25	188	19	0	18	14	36	1	2	17	212	10	0	17	8	16	556
13:45	28	219	28	0	14	16	35	2	0	20	208	9	1	21	13	13	603
14:00	29	197	29	0	13	18	40	0	1	20	219	16	0	13	15	16	594
14:15	25	206	24	1	22	21	37	0	0	24	255	14	0	29	30	38	673
14:30	35	197	15	0	24	26	40	4	2	18	245	11	0	18	19	8	639
14:45	30	187	21	0	10	16	26	4	2	17	243	10	0	29	21	13	602
15:00	34	193	30	1	26	43	42	2	2	35	280	15	0	21	19	13	725
15:15	30	222	26	0	36	25	40	3	0	36	309	12	2	47	36	50	809
15:30	23	223	30	0	20	29	44	3	0	24	280	12	0	28	18	21	719
15:45	29	237	15	1	15	25	40	4	2	30	312	13	0	32	21	23	758
16:00	28	206	16	1	14	22	42	0	0	25	321	21	0	24	25	19	723
16:15	29	210	21	0	25	31	32	0	0	14	353	14	0	31	33	18	779
16:30	22	228	28	0	17	23	33	0	3	20	325	18	0	33	26	20	758
16:45	37	218	15	2	20	33	37	4	1	23	319	22	0	23	18	18	744
17:00	30	225	23	0	21	19	35	2	1	24	352	17	0	33	36	21	799
17:15	30	242	28	0	20	31	37	1	3	17	331	21	0	26	23	18	788
17:30	39	229	27	1	24	29	40	4	0	22	293	22	0	25	34	16	762
17:45	19	212	26	1	17	30	43	0	0	30	308	15	1	24	27	16	737
18:00	22	227	33	0	12	23	39	0	3	14	240	15	0	26	22	16	661
18:15	35	216	31	0	20	12	27	7	0	17	226	18	0	20	24	19	628
18:30	29	207	21	0	9	16	31	2	0	12	235	13	0	21	12	12	593
18:45	23	215	21	0	14	12	23	0	0	15	195	14	0	17	12	11	547
Total	1201	10290	952	18	787	954	1559	50	36	938	10577	589	20	1004	968	815	29286
Cars+	1177	10040	931	18	764	915	1513	49	18	535	10552	589	0	967	941	815	28353
Trucks	24	250	21	0	23	39	46	1	18	403	25	0	20	37	27	0	933
% Trucks	2.0	2.5	2.3	0.0	3.0	4.3	3.0	2.0	100.0	75.3	0.2	0.0	#DIV/0!	3.8	2.9	0.0	3.3
	2.4				3.4				4.0				4.4				

Location: TH 65 at 49th Avenue
 Count Date: 4/18/2017
 Counted By: JDA



AM PEAK HOUR TURNING MOVEMENT DATA
 All Vehicles

Start Time	TH 65				49th Avenue				TH 65				49th Avenue				Int. Total
	Southbound				Westbound				Northbound				Eastbound				
	Left	Thru	Right	Peds	Left	Thru	Right	Peds	Left	Thru	Right	Peds	Left	Thru	Right	Peds	
7:30	17	215	18	0	31	34	45	0	0	27	159	27	0	22	29	32	597
7:45	19	285	17	0	29	50	26	0	1	24	151	30	2	33	45	38	682
8:00	19	261	14	0	20	41	25	0	1	31	121	24	2	25	50	37	610
8:15	15	280	15	0	20	27	27	0	1	15	139	10	0	11	17	12	567
Total	70	1041	64	0	100	152	123	0	3	97	570	91	4	91	141	119	2456
% App. Total	6.0	88.6	5.4	0.0	8.5	12.9	10.5	0.0	0.3	8.3	48.5	7.7	0.3	7.7	12.0	10.1	
PHF	0.921	0.913	0.889	0.000	0.806	0.760	0.683	0.000	0.750	0.782	0.896	0.758	0.500	0.689	0.705	0.783	0.900
% Trucks	6.1	2.7	0.0	0.0	3.1	7.8	9.8	0.0	#DIV/0!	67.2	1.2	0.0	#DIV/0!	23.0	3.7	0.0	
	2.7				7.1				7.9				12.4				5.6

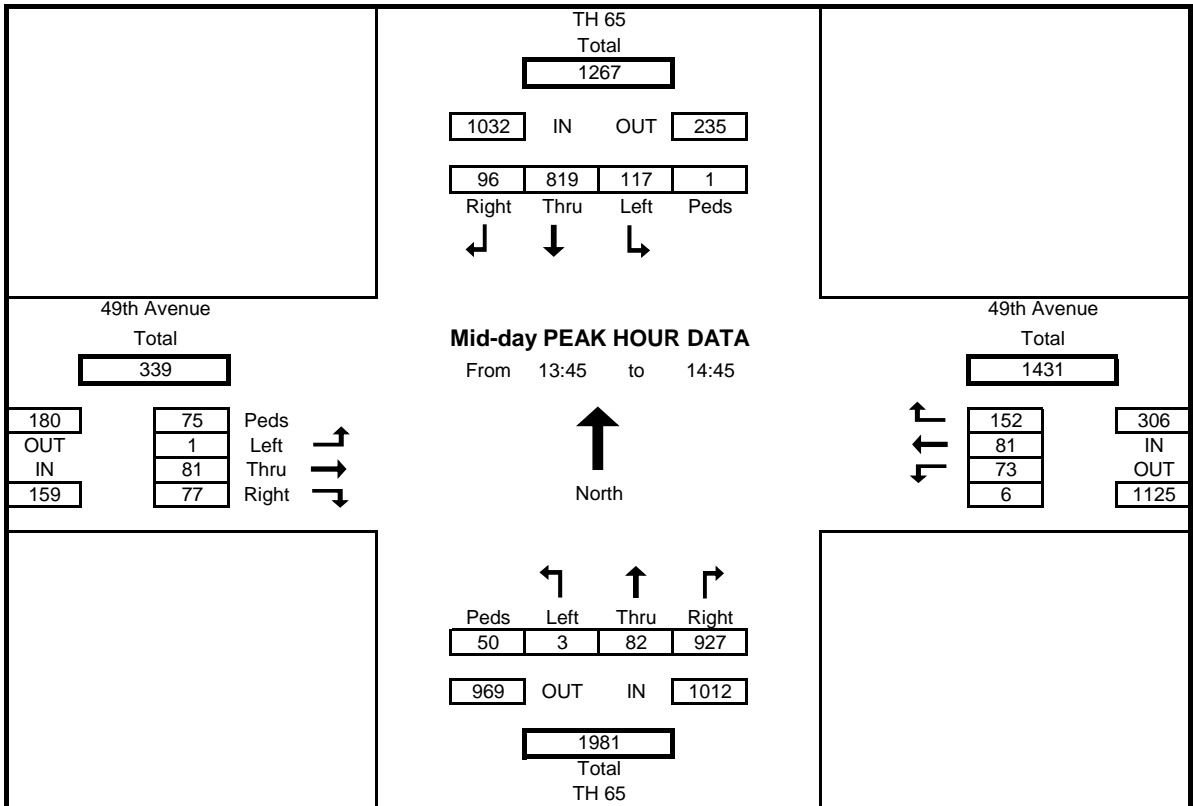


Location: TH 65 at 49th Avenue
 Count Date: 4/18/2017
 Counted By: JDA



Mid-Day PEAK HOUR TURNING MOVEMENT DATA
 All Vehicles

Start Time	TH 65 Southbound				49th Avenue Westbound				TH 65 Northbound				49th Avenue Eastbound				Int. Total
	Left	Thru	Right	Peds	Left	Thru	Right	Peds	Left	Thru	Right	Peds	Left	Thru	Right	Peds	
	13:45	28	219	28	0	14	16	35	2	0	20	208	9	1	21	13	
14:00	29	197	29	0	13	18	40	0	1	20	219	16	0	13	15	16	594
14:15	25	206	24	1	22	21	37	0	0	24	255	14	0	29	30	38	673
14:30	35	197	15	0	24	26	40	4	2	18	245	11	0	18	19	8	639
Total	117	819	96	1	73	81	152	6	3	82	927	50	1	81	77	75	2509
% App. Total	11.3	79.3	9.3	0.1	7.1	7.8	14.7	0.6	0.3	7.9	89.7	4.8	0.1	7.8	7.5	7.3	
PHF	0.836	0.935	0.828	0.250	0.760	0.779	0.950	0.375	0.375	0.854	0.909	0.781	0.250	0.698	0.642	0.493	0.932
% Trucks	4.5	3.0	5.5	0.0	5.8	15.7	2.0	0.0	200.0	100.0	0.3	0.0	#DIV/0!	2.5	6.9	0.0	
			3.4				6.3				4.8				5.3		

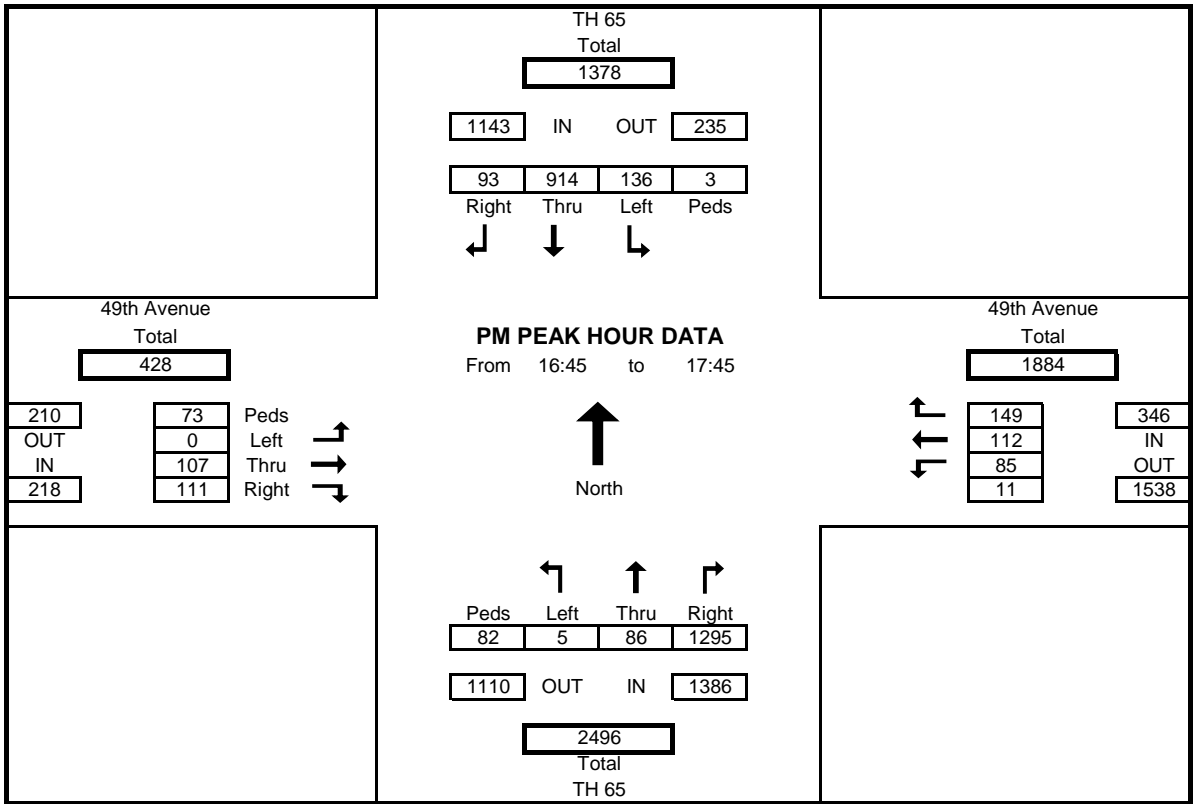


Location: TH 65 at 49th Avenue
 Count Date: 4/18/2017
 Counted By: JDA



AM PEAK HOUR TURNING MOVEMENT DATA
 All Vehicles

Start Time	TH 65				49th Avenue				TH 65				49th Avenue				Int. Total
	Southbound				Westbound				Northbound				Eastbound				
	Left	Thru	Right	Peds	Left	Thru	Right	Peds	Left	Thru	Right	Peds	Left	Thru	Right	Peds	
16:45	37	218	15	2	20	33	37	4	1	23	319	22	0	23	18	18	744
17:00	30	225	23	0	21	19	35	2	1	24	352	17	0	33	36	21	799
17:15	30	242	28	0	20	31	37	1	3	17	331	21	0	26	23	18	788
17:30	39	229	27	1	24	29	40	4	0	22	293	22	0	25	34	16	762
Total	136	914	93	3	85	112	149	11	5	86	1295	82	0	107	111	73	3093
% App. Total	11.9	79.8	8.1	0.3	7.4	9.8	13.0	1.0	0.4	7.5	113.0	7.2	0.0	9.3	9.7	6.4	
PHF	0.872	0.944	0.830	0.375	0.885	0.848	0.931	0.688	0.417	0.896	0.920	0.932	0.000	0.811	0.771	0.869	0.968
% Trucks	1.5	1.2	0.0	0.0	0.0	1.8	0.7	0.0	150.0	65.4	0.0	0.0	0.0	1.9	0.9	0.0	1.8
	1.2				0.9				2.7				1.4				



Location: TH 65 at 49th Avenue
 Count Date: 4/18/2017
 Counted By: JDA



TURNING MOVEMENT COUNT DATA

Cars+

Start Time	TH 65				49th Avenue				TH 65				49th Avenue				Int. Total
	Southbound				Westbound				Northbound				Eastbound				
	Left	Thru	Right	Peds	Left	Thru	Right	Peds	Left	Thru	Right	Peds	Left	Thru	Right	Peds	
6:00	3	107	9	0	2	3	10	0	0	1	71	3	0	5	3	4	214
6:15	3	152	6	0	13	9	11	0	0	1	76	1	0	12	6	2	289
6:30	5	192	7	0	3	10	14	0	0	4	108	2	0	10	6	7	359
6:45	17	193	13	0	4	4	14	0	1	4	95	8	0	5	7	5	357
7:00	29	201	16	0	10	19	11	0	0	7	113	14	0	8	18	13	432
7:15	29	224	17	0	19	30	22	0	0	10	123	22	0	20	30	21	524
7:30	15	209	18	0	29	33	43	0	0	18	158	27	0	21	29	32	573
7:45	18	278	17	0	29	45	25	0	0	13	147	30	0	24	44	38	640
8:00	18	255	14	0	19	36	22	0	0	19	120	24	0	18	46	37	567
8:15	15	272	15	0	20	27	22	0	0	8	138	10	0	11	17	12	545
8:30	12	192	14	0	10	18	18	0	0	5	131	11	0	15	9	16	424
8:45	10	217	13	0	9	12	19	0	0	2	142	5	0	11	13	14	448
9:00	19	177	14	0	12	10	23	1	0	3	139	5	0	9	14	18	420
9:15	16	177	15	0	11	8	19	0	0	2	131	2	0	7	10	7	396
9:30	23	161	10	1	13	7	25	0	0	5	126	3	0	9	14	9	393
9:45	21	148	14	1	7	11	23	0	0	1	127	1	0	11	11	5	374
10:00	14	141	16	0	8	10	15	0	0	3	163	0	0	13	6	10	389
10:15	14	95	3	0	9	8	35	0	0	5	177	1	0	8	2	6	356
10:30	10	169	11	0	3	6	19	0	0	5	158	7	0	12	10	13	403
10:45	20	142	18	0	10	9	23	0	0	4	143	6	0	15	15	5	399
11:00	14	163	12	0	17	8	20	0	0	6	163	11	0	8	15	8	426
11:15	26	171	11	0	13	16	34	0	1	8	168	10	0	14	8	7	470
11:30	36	157	16	0	15	9	28	1	0	11	182	7	0	21	16	14	491
11:45	29	176	18	0	12	9	28	0	0	16	177	7	0	20	18	9	503
12:00	28	176	18	0	16	10	35	1	1	11	226	7	0	16	9	15	546
12:15	26	174	13	0	14	14	31	0	1	16	188	8	0	16	16	14	509
12:30	11	174	26	0	13	10	38	1	0	11	209	9	0	22	13	17	527
12:45	18	194	16	2	7	15	33	0	1	6	200	4	0	21	21	7	532
13:00	25	184	10	2	10	9	28	2	1	16	214	5	0	14	21	20	532
13:15	29	142	14	4	8	9	37	1	0	14	188	7	0	23	19	15	483
13:30	25	183	19	0	18	14	36	1	1	9	212	10	0	17	8	16	542
13:45	25	211	24	0	14	16	35	2	0	13	208	9	0	21	13	13	580
14:00	29	192	28	0	13	18	40	0	0	11	219	16	0	12	14	16	576
14:15	25	203	24	1	21	20	37	0	0	9	255	14	0	29	28	38	651
14:30	33	189	15	0	21	16	37	4	1	8	242	11	0	17	17	8	596
14:45	30	183	20	0	10	15	26	4	0	10	239	10	0	26	21	13	580
15:00	34	189	29	1	24	41	42	2	1	24	279	15	0	21	17	13	701
15:15	30	217	26	0	30	21	39	2	0	16	309	12	0	46	30	50	764
15:30	23	221	30	0	20	28	41	3	0	20	278	12	0	28	18	21	707
15:45	29	234	13	1	15	25	40	4	1	17	312	13	0	32	20	23	738
16:00	28	205	16	1	14	22	41	0	0	19	321	21	0	24	24	19	714
16:15	29	206	21	0	25	30	32	0	0	11	353	14	0	31	33	18	771
16:30	22	223	28	0	17	23	33	0	3	16	325	18	0	32	26	20	748
16:45	37	217	15	2	20	33	36	4	0	18	319	22	0	23	18	18	736
17:00	29	223	23	0	21	18	35	2	0	16	352	17	0	33	36	21	786
17:15	30	237	28	0	20	31	37	1	2	8	331	21	0	26	23	18	773
17:30	38	226	27	1	24	28	40	4	0	10	293	22	0	23	33	16	742
17:45	19	210	25	1	17	29	42	0	0	24	308	15	0	24	26	16	724
18:00	22	225	33	0	12	23	38	0	3	10	240	15	0	25	22	16	653
18:15	35	214	31	0	20	12	27	7	0	13	226	18	0	20	24	19	622
18:30	29	205	21	0	9	16	31	2	0	9	235	13	0	21	12	12	588
18:45	23	214	21	0	14	12	23	0	0	9	195	14	0	17	12	11	540
Total	1177	10040	931	18	764	915	1513	49	18	535	10552	589	0	967	941	815	28353
Cars+	1177	10040	931	18	764	915	1513	49	18	535	10552	589	0	967	941	815	28353
Trucks	24	250	21	0	23	39	46	1	18	403	25	0	20	37	27	0	933
% Trucks	2.0	2.5	2.3	0.0	3.0	4.3	3.0	2.0	100.0	75.3	0.2	0.0	0.0	3.8	2.9	0.0	3.3
	2.4				3.4				4.0				4.4				

Location: TH 65 at 49th Avenue
 Count Date: 4/18/2017
 Counted By: JDA



TURNING MOVEMENT COUNT DATA
Heavy Vehicles

Start Time	TH 65				49th Avenue				TH 65				49th Avenue				Int. Total	
	Southbound				Westbound				Northbound				Eastbound					
	Left	Thru	Right	Bikes	Left	Thru	Right	Bikes	Left	Thru	Right	Bikes	Left	Thru	Right	Bikes		
6:00	0	8	0	0	0	0	0	0	0	4	0	0	0	0	0	0	0	12
6:15	0	5	0	0	0	0	0	0	0	8	0	0	0	0	0	0	0	13
6:30	1	9	1	0	0	0	0	0	0	5	0	0	0	0	0	0	0	16
6:45	0	11	1	0	0	1	0	0	0	4	0	0	0	0	0	1	0	18
7:00	1	12	1	0	0	0	0	0	0	5	2	0	0	0	2	0	0	23
7:15	2	4	0	0	2	1	0	0	1	7	1	0	1	5	1	0	0	25
7:30	2	6	0	0	2	1	2	0	0	9	1	0	0	1	0	0	0	24
7:45	1	7	0	0	0	5	1	0	1	11	4	0	2	9	1	0	0	42
8:00	1	6	0	0	1	5	3	0	1	12	1	0	2	7	4	0	0	43
8:15	0	8	0	0	0	0	5	0	1	7	1	0	0	0	0	0	0	22
8:30	0	4	1	0	0	0	0	0	0	9	0	0	1	1	0	0	0	16
8:45	0	4	0	0	0	0	1	0	0	13	0	0	1	0	0	0	0	19
9:00	1	4	0	0	0	0	2	0	0	5	0	0	0	0	0	0	0	12
9:15	0	4	1	0	0	0	1	0	0	8	0	0	0	0	1	0	0	15
9:30	1	4	2	0	0	1	1	0	0	5	1	0	2	0	1	0	0	18
9:45	0	3	0	0	0	0	1	0	0	10	0	0	2	0	0	0	0	16
10:00	0	7	0	0	0	0	8	0	1	6	0	0	1	0	0	0	0	23
10:15	3	0	0	0	1	0	2	0	0	6	0	0	1	1	0	0	0	14
10:30	0	5	0	0	1	1	1	0	0	12	0	0	0	0	0	0	0	20
10:45	0	7	0	0	0	1	1	0	0	12	2	0	0	0	0	0	0	23
11:00	0	6	2	0	1	0	0	0	0	8	0	0	0	0	0	0	0	17
11:15	2	6	0	0	0	0	1	0	0	14	1	0	0	0	1	0	0	25
11:30	1	4	0	0	2	0	0	0	0	9	0	0	1	0	0	0	0	17
11:45	1	5	1	0	0	0	2	0	0	3	1	0	0	1	0	0	0	14
12:00	0	4	0	0	0	0	2	0	1	9	0	0	0	0	0	0	0	16
12:15	0	6	0	0	0	0	0	0	1	4	0	0	1	0	0	0	0	12
12:30	0	4	0	0	0	0	0	0	0	3	0	0	0	0	0	0	0	7
12:45	0	9	0	0	0	0	0	0	0	8	0	0	0	0	0	0	0	17
13:00	0	6	0	0	0	0	1	0	1	7	0	0	0	0	0	0	0	15
13:15	0	5	1	0	1	0	0	0	0	6	0	0	1	0	0	0	0	14
13:30	0	5	0	0	0	0	0	0	1	8	0	0	0	0	0	0	0	14
13:45	3	8	4	0	0	0	0	0	0	7	0	0	1	0	0	0	0	23
14:00	0	5	1	0	0	0	0	0	1	9	0	0	0	1	1	0	0	18
14:15	0	3	0	0	1	1	0	0	0	15	0	0	0	0	2	0	0	22
14:30	2	8	0	0	3	10	3	0	1	10	3	0	0	1	2	0	0	43
14:45	0	4	1	0	0	1	0	0	2	7	4	0	0	3	0	0	0	22
15:00	0	4	1	0	2	2	0	0	1	11	1	0	0	0	2	0	0	24
15:15	0	5	0	0	6	4	1	1	0	20	0	0	2	1	6	0	0	45
15:30	0	2	0	0	0	1	3	0	0	4	2	0	0	0	0	0	0	12
15:45	0	3	2	0	0	0	0	0	1	13	0	0	0	0	1	0	0	20
16:00	0	1	0	0	0	0	1	0	0	6	0	0	0	0	1	0	0	9
16:15	0	4	0	0	0	1	0	0	0	3	0	0	0	0	0	0	0	8
16:30	0	5	0	0	0	0	0	0	0	4	0	0	0	1	0	0	0	10
16:45	0	1	0	0	0	0	1	0	1	5	0	0	0	0	0	0	0	8
17:00	1	2	0	0	0	1	0	0	1	8	0	0	0	0	0	0	0	13
17:15	0	5	0	0	0	0	0	0	1	9	0	0	0	0	0	0	0	15
17:30	1	3	0	0	0	1	0	0	0	12	0	0	0	2	1	0	0	20
17:45	0	2	1	0	0	1	1	0	0	6	0	0	1	0	1	0	0	13
18:00	0	2	0	0	0	0	1	0	0	4	0	0	0	1	0	0	0	8
18:15	0	2	0	0	0	0	0	0	0	4	0	0	0	0	0	0	0	6
18:30	0	2	0	0	0	0	0	0	0	3	0	0	0	0	0	0	0	5
18:45	0	1	0	0	0	0	0	0	0	6	0	0	0	0	0	0	0	7
Total	24	250	21	0	23	39	46	1	18	403	25	0	20	37	27	0	0	933
Cars+	1177	10040	931	18	764	915	1513	49	18	535	10552	589	0	967	941	815	0	28353
Trucks	24	250	21	0	23	39	46	1	18	403	25	0	20	37	27	0	0	933
% Trucks	2.0	2.5	2.3	0.0	3.0	4.3	3.0	2.0	100.0	75.3	0.2	0.0	#DIV/0!	3.8	2.9	0.0	0.0	3.3
	2.4				3.4				4.0				4.4					