

Location: TH 65 at 47th Avenue
 Count Date: 4/18/2017
 Counted By: JDA



TURNING MOVEMENT COUNT DATA
 All Vehicles

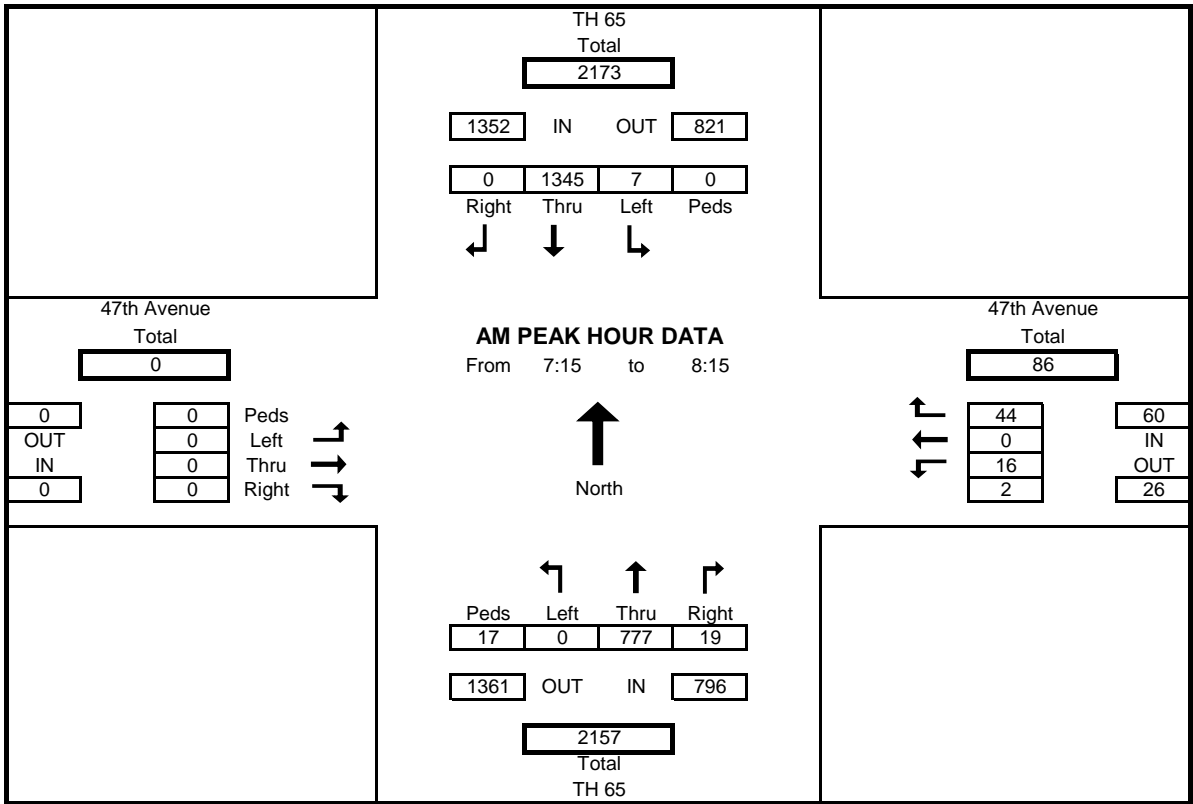
Start Time	TH 65				47th Avenue				TH 65				47th Avenue				Int. Total
	Southbound				Westbound				Northbound				Eastbound				
	Left	Thru	Right	Peds	Left	Thru	Right	Peds	Left	Thru	Right	Peds	Left	Thru	Right	Peds	
6:00	0	136	0	0	0	0	4	0	0	76	0	0	0	0	0	0	216
6:15	0	191	0	0	0	0	1	0	0	95	0	1	0	0	0	0	287
6:30	0	207	0	0	3	0	8	0	0	117	2	0	0	0	0	0	337
6:45	1	216	0	0	0	0	6	1	0	101	4	2	0	0	0	0	328
7:00	1	237	0	0	5	0	4	2	0	142	3	1	0	0	0	0	392
7:15	2	299	0	0	3	0	7	1	0	190	2	3	0	0	0	0	503
7:30	3	351	0	0	7	0	14	0	0	224	4	5	0	0	0	0	603
7:45	1	365	0	0	3	0	11	0	0	181	8	5	0	0	0	0	569
8:00	1	330	0	0	3	0	12	1	0	182	5	4	0	0	0	0	533
8:15	4	296	0	0	6	0	6	0	0	144	3	2	0	0	0	0	459
8:30	0	220	0	0	2	0	5	0	0	144	3	3	0	0	0	0	374
8:45	1	236	0	0	3	0	8	1	0	161	7	0	0	0	0	0	416
9:00	1	204	0	0	5	0	7	2	0	166	5	1	0	0	0	0	388
9:15	0	190	0	0	0	0	4	2	0	134	1	0	0	0	0	0	329
9:30	0	209	0	0	1	0	5	0	0	145	0	0	0	0	0	0	360
9:45	2	164	0	0	2	0	6	1	0	163	4	0	0	0	0	0	341
10:00	0	159	0	0	0	0	0	0	0	185	1	2	0	0	0	0	345
10:15	1	185	0	0	2	0	10	0	0	184	0	0	0	0	0	0	382
10:30	3	180	0	0	3	0	5	2	0	159	4	3	0	0	0	0	354
10:45	0	173	0	0	1	0	4	1	0	191	1	1	0	0	0	0	370
11:00	1	197	0	0	3	0	5	0	0	196	7	0	0	0	0	0	409
11:15	4	206	0	0	1	0	12	0	0	189	0	2	0	0	0	0	412
11:30	2	194	0	0	1	0	6	2	0	226	3	0	0	0	0	0	432
11:45	5	194	0	0	0	0	4	2	0	211	4	1	0	0	0	0	418
12:00	0	212	0	0	0	0	5	2	0	270	5	3	0	0	0	0	492
12:15	1	213	0	0	0	0	11	4	0	214	2	2	0	0	0	0	441
12:30	4	217	0	0	4	0	5	1	0	243	3	3	0	0	0	0	476
12:45	4	198	0	1	2	0	5	1	0	221	5	0	0	0	0	0	435
13:00	5	211	0	0	4	0	9	2	0	244	3	0	0	0	0	0	476
13:15	0	184	0	0	1	0	4	1	0	219	4	1	0	0	0	0	412
13:30	5	221	0	0	3	0	12	0	0	243	5	3	0	0	0	0	489
13:45	8	242	0	0	1	0	7	2	0	214	10	4	0	0	0	0	482
14:00	4	228	0	0	3	0	10	4	0	280	5	1	0	0	0	0	530
14:15	1	271	0	0	4	0	5	3	0	277	3	3	0	0	0	0	561
14:30	1	226	0	0	1	0	5	2	0	280	5	1	0	0	0	0	518
14:45	2	218	0	4	2	0	15	3	0	287	7	4	0	0	0	0	531
15:00	4	268	0	0	6	0	10	0	0	371	10	4	0	0	0	0	669
15:15	8	323	0	1	1	0	15	11	0	371	5	22	0	0	0	0	723
15:30	4	264	0	0	3	0	11	4	0	343	8	8	0	0	0	0	633
15:45	1	267	0	0	1	0	7	7	0	344	3	1	0	0	0	0	623
16:00	4	265	0	0	5	0	7	0	0	393	10	3	0	0	0	0	684
16:15	1	251	0	0	5	0	8	2	0	352	8	1	0	0	0	0	625
16:30	7	265	0	1	2	0	5	2	0	409	10	2	0	0	0	0	698
16:45	1	268	0	0	3	0	2	9	0	358	10	1	0	0	0	0	642
17:00	2	273	0	0	2	0	4	6	0	375	9	2	0	0	0	0	665
17:15	3	277	0	1	4	0	8	3	0	392	11	4	0	0	0	0	695
17:30	4	253	0	1	7	0	6	8	0	341	6	5	0	0	0	0	617
17:45	2	254	0	2	2	0	6	2	0	313	13	0	0	0	0	0	590
18:00	2	258	0	0	1	0	4	1	0	263	3	5	0	0	0	0	531
18:15	3	247	0	0	1	0	5	3	0	267	9	1	0	0	0	0	532
18:30	4	238	0	0	1	0	4	4	0	253	4	2	0	0	0	0	504
18:45	2	231	0	0	4	0	5	3	0	240	6	7	0	0	0	0	488
Total	120	12182	0	11	127	0	354	108	0	12283	253	129	0	0	0	0	25319
Cars+	118	11847	0	11	124	0	351	102	0	11947	247	119	0	0	0	0	24634
Trucks	2	335	0	0	3	0	3	6	0	336	6	10	0	0	0	0	685
% Trucks	1.7	2.8	0.0	0.0	2.4	0.0	0.9	5.9	0.0	2.8	2.4	8.4	0.0	0.0	0.0	0.0	2.8
	2.8				1.3				2.8				0.0				

Location: TH 65 at 47th Avenue
 Count Date: 4/18/2017
 Counted By: JDA



AM PEAK HOUR TURNING MOVEMENT DATA
 All Vehicles

Start Time	TH 65				47th Avenue				TH 65				47th Avenue				Int. Total
	Southbound				Westbound				Northbound				Eastbound				
	Left	Thru	Right	Peds	Left	Thru	Right	Peds	Left	Thru	Right	Peds	Left	Thru	Right	Peds	
7:15	2	299	0	0	3	0	7	1	0	190	2	3	0	0	0	0	503
7:30	3	351	0	0	7	0	14	0	0	224	4	5	0	0	0	0	603
7:45	1	365	0	0	3	0	11	0	0	181	8	5	0	0	0	0	569
8:00	1	330	0	0	3	0	12	1	0	182	5	4	0	0	0	0	533
Total	7	1345	0	0	16	0	44	2	0	777	19	17	0	0	0	0	2208
% App. Total	0.5	99.5	0.0	0.0	1.2	0.0	3.3	0.1	0.0	57.5	1.4	1.3	0.0	0.0	0.0	0.0	
PHF	0.583	0.921	0.000	0.000	0.571	0.000	0.786	0.500	0.000	0.867	0.594	0.850	0.000	0.000	0.000	0.000	0.915
% Trucks	0.0	3.3	0.0	0.0	0.0	0.0	0.0	0.0	0.0	6.0	5.6	13.3	0.0	0.0	0.0	0.0	4.2
	3.3				0.0				6.0				0.0				

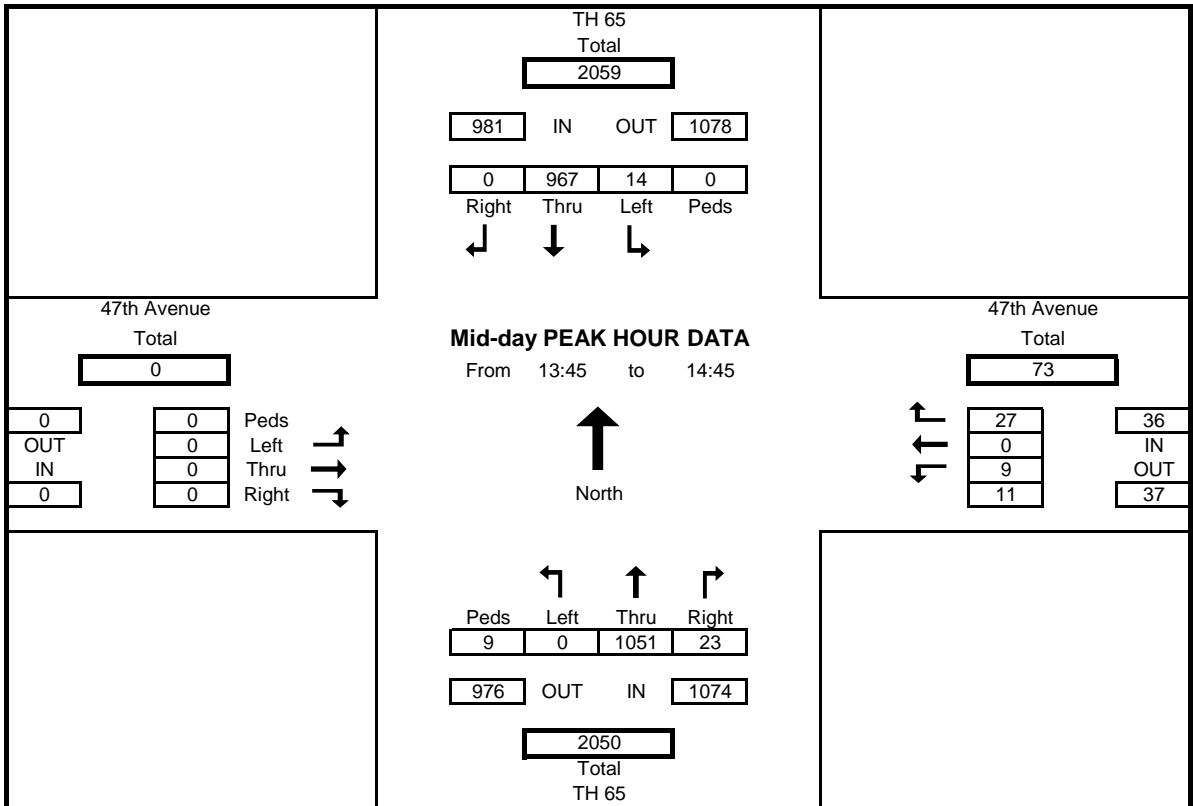


Location: TH 65 at 47th Avenue
 Count Date: 4/18/2017
 Counted By: JDA



Mid-Day PEAK HOUR TURNING MOVEMENT DATA
 All Vehicles

Start Time	TH 65				47th Avenue				TH 65				47th Avenue				Int. Total
	Southbound				Westbound				Northbound				Eastbound				
	Left	Thru	Right	Peds	Left	Thru	Right	Peds	Left	Thru	Right	Peds	Left	Thru	Right	Peds	
13:45	8	242	0	0	1	0	7	2	0	214	10	4	0	0	0	0	482
14:00	4	228	0	0	3	0	10	4	0	280	5	1	0	0	0	0	530
14:15	1	271	0	0	4	0	5	3	0	277	3	3	0	0	0	0	561
14:30	1	226	0	0	1	0	5	2	0	280	5	1	0	0	0	0	518
Total	14	967	0	0	9	0	27	11	0	1051	23	9	0	0	0	0	2091
% App. Total	1.4	98.6	0.0	0.0	0.9	0.0	2.8	1.1	0.0	107.1	2.3	0.9	0.0	0.0	0.0	0.0	
PHF	0.438	0.892	0.000	0.000	0.563	0.000	0.675	0.688	0.000	0.938	0.575	0.563	0.000	0.000	0.000	0.000	0.932
% Trucks	0.0	3.4	0.0	0.0	0.0	0.0	0.0	10.0	0.0	3.1	0.0	12.5	0.0	0.0	0.0	0.0	3.2
	3.4				0.0				3.1				0.0				

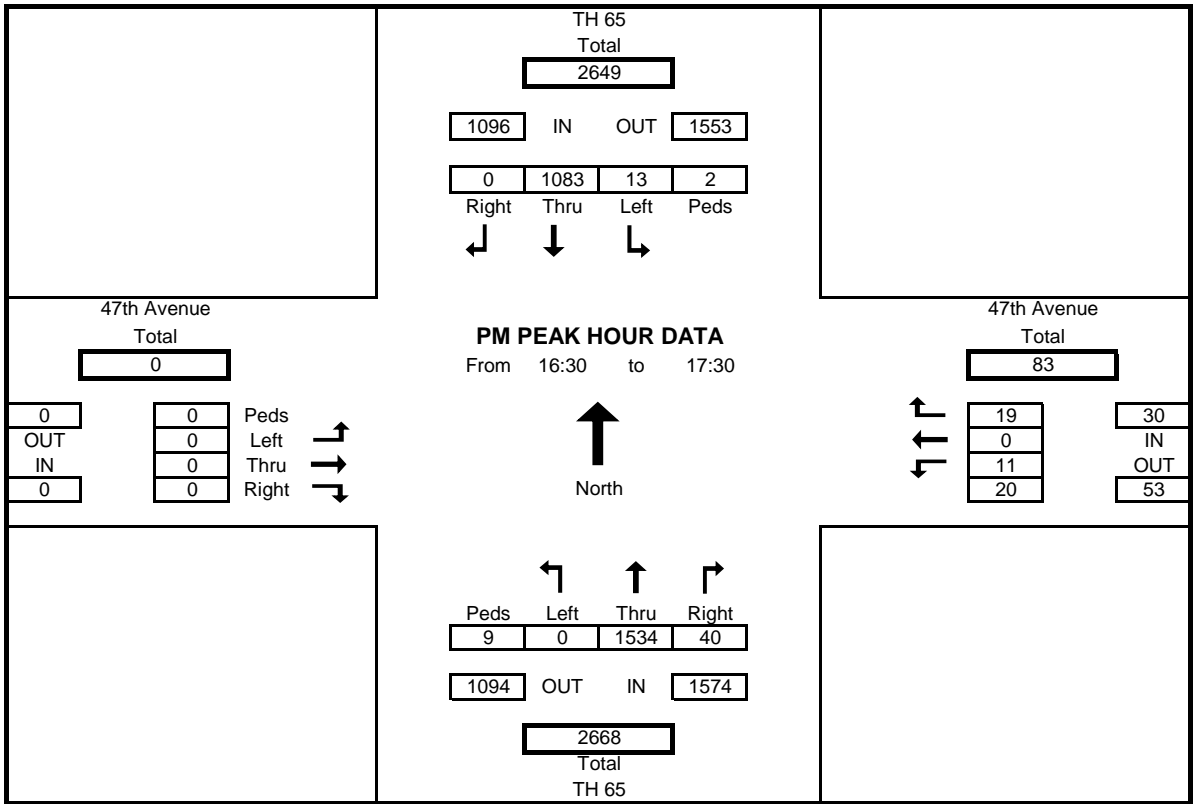


Location: TH 65 at 47th Avenue
 Count Date: 4/18/2017
 Counted By: JDA



AM PEAK HOUR TURNING MOVEMENT DATA
 All Vehicles

Start Time	TH 65				47th Avenue				TH 65				47th Avenue				Int. Total
	Southbound				Westbound				Northbound				Eastbound				
	Left	Thru	Right	Peds	Left	Thru	Right	Peds	Left	Thru	Right	Peds	Left	Thru	Right	Peds	
16:30	7	265	0	1	2	0	5	2	0	409	10	2	0	0	0	0	698
16:45	1	268	0	0	3	0	2	9	0	358	10	1	0	0	0	0	642
17:00	2	273	0	0	2	0	4	6	0	375	9	2	0	0	0	0	665
17:15	3	277	0	1	4	0	8	3	0	392	11	4	0	0	0	0	695
Total	13	1083	0	2	11	0	19	20	0	1534	40	9	0	0	0	0	2700
% App. Total	1.2	98.6	0.0	0.2	1.0	0.0	1.7	1.8	0.0	139.7	3.6	0.8	0.0	0.0	0.0	0.0	
PHF	0.464	0.977	0.000	0.500	0.688	0.000	0.594	0.556	0.000	0.938	0.909	0.563	0.000	0.000	0.000	0.000	0.967
% Trucks	0.0	1.3	0.0	0.0	10.0	0.0	0.0	5.3	0.0	1.5	0.0	12.5	0.0	0.0	0.0	0.0	1.4
	1.3				3.4				1.5				0.0				



Location: TH 65 at 47th Avenue
 Count Date: 4/18/2017
 Counted By: JDA



TURNING MOVEMENT COUNT DATA

Cars+

Start Time	TH 65				47th Avenue				TH 65				47th Avenue				Int. Total
	Southbound				Westbound				Northbound				Eastbound				
	Left	Thru	Right	Peds	Left	Thru	Right	Peds	Left	Thru	Right	Peds	Left	Thru	Right	Peds	
6:00	0	128	0	0	0	0	4	0	0	71	0	0	0	0	0	0	203
6:15	0	186	0	0	0	0	1	0	0	88	0	1	0	0	0	0	275
6:30	0	196	0	0	3	0	8	0	0	111	1	0	0	0	0	0	319
6:45	1	205	0	0	0	0	6	1	0	99	4	1	0	0	0	0	315
7:00	1	227	0	0	5	0	4	2	0	131	3	1	0	0	0	0	371
7:15	2	291	0	0	3	0	7	1	0	183	2	2	0	0	0	0	488
7:30	3	338	0	0	7	0	14	0	0	213	4	4	0	0	0	0	579
7:45	1	355	0	0	3	0	11	0	0	170	7	5	0	0	0	0	547
8:00	1	318	0	0	3	0	12	1	0	167	5	4	0	0	0	0	506
8:15	4	281	0	0	5	0	6	0	0	139	3	2	0	0	0	0	438
8:30	0	216	0	0	2	0	5	0	0	139	3	3	0	0	0	0	365
8:45	1	228	0	0	3	0	8	1	0	152	5	0	0	0	0	0	397
9:00	1	195	0	0	5	0	7	2	0	159	5	1	0	0	0	0	372
9:15	0	187	0	0	0	0	4	2	0	131	1	0	0	0	0	0	323
9:30	0	199	0	0	1	0	5	0	0	137	0	0	0	0	0	0	342
9:45	2	161	0	0	2	0	6	1	0	155	4	0	0	0	0	0	330
10:00	0	154	0	0	0	0	0	0	0	180	1	2	0	0	0	0	335
10:15	1	182	0	0	2	0	10	0	0	177	0	0	0	0	0	0	372
10:30	3	171	0	0	3	0	5	2	0	153	4	3	0	0	0	0	339
10:45	0	169	0	0	1	0	4	1	0	179	1	1	0	0	0	0	354
11:00	1	188	0	0	3	0	5	0	0	190	7	0	0	0	0	0	394
11:15	4	199	0	0	1	0	12	0	0	178	0	2	0	0	0	0	394
11:30	2	188	0	0	1	0	6	2	0	221	3	0	0	0	0	0	421
11:45	5	186	0	0	0	0	4	2	0	205	4	1	0	0	0	0	404
12:00	0	208	0	0	0	0	5	2	0	264	5	3	0	0	0	0	482
12:15	1	208	0	0	0	0	11	3	0	211	2	2	0	0	0	0	433
12:30	4	208	0	0	4	0	5	1	0	240	3	2	0	0	0	0	464
12:45	4	190	0	1	2	0	5	1	0	213	5	0	0	0	0	0	419
13:00	5	205	0	0	4	0	9	2	0	241	3	0	0	0	0	0	467
13:15	0	179	0	0	1	0	4	1	0	215	4	1	0	0	0	0	403
13:30	4	211	0	0	3	0	11	0	0	238	4	3	0	0	0	0	471
13:45	8	234	0	0	1	0	7	2	0	211	10	3	0	0	0	0	471
14:00	4	221	0	0	3	0	10	4	0	273	5	1	0	0	0	0	516
14:15	1	265	0	0	4	0	5	3	0	267	3	3	0	0	0	0	545
14:30	1	215	0	0	1	0	5	1	0	268	5	1	0	0	0	0	495
14:45	2	214	0	4	2	0	14	3	0	282	7	4	0	0	0	0	521
15:00	4	260	0	0	6	0	10	0	0	358	9	4	0	0	0	0	647
15:15	8	307	0	1	1	0	15	10	0	363	5	21	0	0	0	0	699
15:30	4	263	0	0	3	0	11	4	0	339	8	8	0	0	0	0	628
15:45	1	264	0	0	1	0	6	7	0	335	3	1	0	0	0	0	610
16:00	4	260	0	0	5	0	7	0	0	391	10	3	0	0	0	0	677
16:15	1	249	0	0	5	0	8	2	0	349	8	1	0	0	0	0	620
16:30	7	260	0	1	2	0	5	2	0	405	10	1	0	0	0	0	689
16:45	1	265	0	0	2	0	2	8	0	352	10	1	0	0	0	0	632
17:00	2	272	0	0	2	0	4	6	0	368	9	2	0	0	0	0	657
17:15	3	272	0	1	4	0	8	3	0	386	11	4	0	0	0	0	684
17:30	3	250	0	1	6	0	6	8	0	332	6	5	0	0	0	0	603
17:45	2	252	0	2	2	0	6	2	0	309	13	0	0	0	0	0	584
18:00	2	256	0	0	1	0	4	1	0	259	3	5	0	0	0	0	525
18:15	3	245	0	0	1	0	5	3	0	264	9	1	0	0	0	0	527
18:30	4	236	0	0	1	0	4	4	0	251	4	2	0	0	0	0	500
18:45	2	230	0	0	4	0	5	1	0	235	6	4	0	0	0	0	482
Total	118	11847	0	11	124	0	351	102	0	11947	247	119	0	0	0	0	24634
Cars+	118	11847	0	11	124	0	351	102	0	11947	247	119	0	0	0	0	24634
Trucks	2	335	0	0	3	0	3	6	0	336	6	10	0	0	0	0	685
% Trucks	1.7	2.8	0.0	0.0	2.4	0.0	0.9	5.9	0.0	2.8	2.4	8.4	0.0	0.0	0.0	0.0	2.8
	2.8				1.3				2.8				0.0				

Location: TH 65 at 47th Avenue
 Count Date: 4/18/2017
 Counted By: JDA



TURNING MOVEMENT COUNT DATA
Heavy Vehicles

Start Time	TH 65				47th Avenue				TH 65				47th Avenue				Int. Total	
	Southbound				Westbound				Northbound				Eastbound					
	Left	Thru	Right	Peds	Left	Thru	Right	Peds	Left	Thru	Right	Peds	Left	Thru	Right	Peds		
6:00	0	8	0	0	0	0	0	0	0	5	0	0	0	0	0	0	0	13
6:15	0	5	0	0	0	0	0	0	0	7	0	0	0	0	0	0	0	12
6:30	0	11	0	0	0	0	0	0	0	6	1	0	0	0	0	0	0	18
6:45	0	11	0	0	0	0	0	0	0	2	0	1	0	0	0	0	0	13
7:00	0	10	0	0	0	0	0	0	0	11	0	0	0	0	0	0	0	21
7:15	0	8	0	0	0	0	0	0	0	7	0	1	0	0	0	0	0	15
7:30	0	13	0	0	0	0	0	0	0	11	0	1	0	0	0	0	0	24
7:45	0	10	0	0	0	0	0	0	0	11	1	0	0	0	0	0	0	22
8:00	0	12	0	0	0	0	0	0	0	15	0	0	0	0	0	0	0	27
8:15	0	15	0	0	1	0	0	0	0	5	0	0	0	0	0	0	0	21
8:30	0	4	0	0	0	0	0	0	0	5	0	0	0	0	0	0	0	9
8:45	0	8	0	0	0	0	0	0	0	9	2	0	0	0	0	0	0	19
9:00	0	9	0	0	0	0	0	0	0	7	0	0	0	0	0	0	0	16
9:15	0	3	0	0	0	0	0	0	0	3	0	0	0	0	0	0	0	6
9:30	0	10	0	0	0	0	0	0	0	8	0	0	0	0	0	0	0	18
9:45	0	3	0	0	0	0	0	0	0	8	0	0	0	0	0	0	0	11
10:00	0	5	0	0	0	0	0	0	0	5	0	0	0	0	0	0	0	10
10:15	0	3	0	0	0	0	0	0	0	7	0	0	0	0	0	0	0	10
10:30	0	9	0	0	0	0	0	0	0	6	0	0	0	0	0	0	0	15
10:45	0	4	0	0	0	0	0	0	0	12	0	0	0	0	0	0	0	16
11:00	0	9	0	0	0	0	0	0	0	6	0	0	0	0	0	0	0	15
11:15	0	7	0	0	0	0	0	0	0	11	0	0	0	0	0	0	0	18
11:30	0	6	0	0	0	0	0	0	0	5	0	0	0	0	0	0	0	11
11:45	0	8	0	0	0	0	0	0	0	6	0	0	0	0	0	0	0	14
12:00	0	4	0	0	0	0	0	0	0	6	0	0	0	0	0	0	0	10
12:15	0	5	0	0	0	0	0	1	0	3	0	0	0	0	0	0	0	8
12:30	0	9	0	0	0	0	0	0	0	3	0	1	0	0	0	0	0	12
12:45	0	8	0	0	0	0	0	0	0	8	0	0	0	0	0	0	0	16
13:00	0	6	0	0	0	0	0	0	0	3	0	0	0	0	0	0	0	9
13:15	0	5	0	0	0	0	0	0	0	4	0	0	0	0	0	0	0	9
13:30	1	10	0	0	0	0	1	0	0	5	1	0	0	0	0	0	0	18
13:45	0	8	0	0	0	0	0	0	0	3	0	1	0	0	0	0	0	11
14:00	0	7	0	0	0	0	0	0	0	7	0	0	0	0	0	0	0	14
14:15	0	6	0	0	0	0	0	0	0	10	0	0	0	0	0	0	0	16
14:30	0	11	0	0	0	0	0	1	0	12	0	0	0	0	0	0	0	23
14:45	0	4	0	0	0	0	1	0	0	5	0	0	0	0	0	0	0	10
15:00	0	8	0	0	0	0	0	0	0	13	1	0	0	0	0	0	0	22
15:15	0	16	0	0	0	0	0	1	0	8	0	1	0	0	0	0	0	24
15:30	0	1	0	0	0	0	0	0	0	4	0	0	0	0	0	0	0	5
15:45	0	3	0	0	0	0	1	0	0	9	0	0	0	0	0	0	0	13
16:00	0	5	0	0	0	0	0	0	0	2	0	0	0	0	0	0	0	7
16:15	0	2	0	0	0	0	0	0	0	3	0	0	0	0	0	0	0	5
16:30	0	5	0	0	0	0	0	0	0	4	0	1	0	0	0	0	0	9
16:45	0	3	0	0	1	0	0	1	0	6	0	0	0	0	0	0	0	10
17:00	0	1	0	0	0	0	0	0	0	7	0	0	0	0	0	0	0	8
17:15	0	5	0	0	0	0	0	0	0	6	0	0	0	0	0	0	0	11
17:30	1	3	0	0	1	0	0	0	0	9	0	0	0	0	0	0	0	14
17:45	0	2	0	0	0	0	0	0	0	4	0	0	0	0	0	0	0	6
18:00	0	2	0	0	0	0	0	0	0	4	0	0	0	0	0	0	0	6
18:15	0	2	0	0	0	0	0	0	0	3	0	0	0	0	0	0	0	5
18:30	0	2	0	0	0	0	0	0	0	2	0	0	0	0	0	0	0	4
18:45	0	1	0	0	0	0	0	2	0	5	0	3	0	0	0	0	0	6
Total	2	335	0	0	3	0	3	6	0	336	6	10	0	0	0	0	0	685
Cars+	118	11847	0	11	124	0	351	102	0	11947	247	119	0	0	0	0	0	24634
Trucks	2	335	0	0	3	0	3	6	0	336	6	10	0	0	0	0	0	685
% Trucks	1.7	2.8	0.0	0.0	2.4	0.0	0.9	5.9	0.0	2.8	2.4	8.4	0.0	0.0	0.0	0.0	0.0	2.8
		2.8				1.3				2.8				0.0				2.8