

Location: Th 65 at 40th Avenue
 Count Date: 4/20/2017
 Counted By: JDA



TURNING MOVEMENT COUNT DATA
 All Vehicles

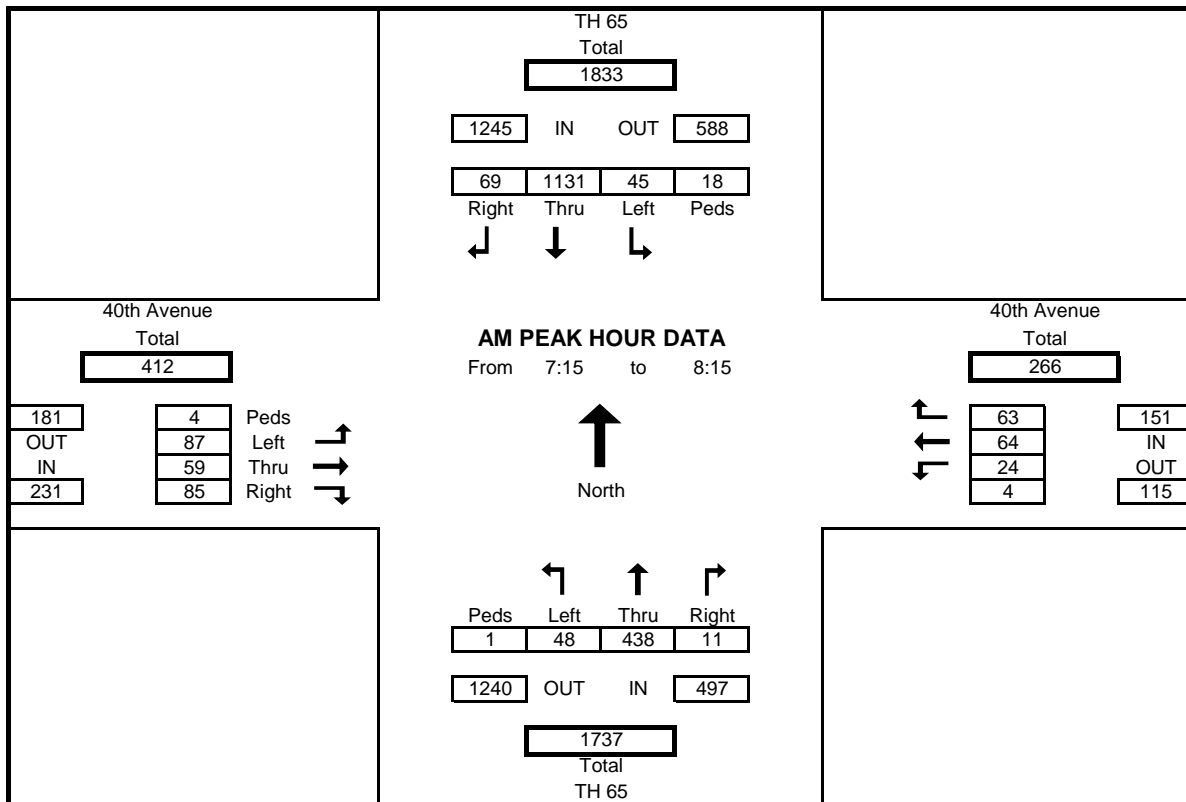
Start Time	TH 65				40th Avenue				TH 65				40th Avenue				Int. Total
	Southbound				Westbound				Northbound				Eastbound				
	Left	Thru	Right	Peds	Left	Thru	Right	Peds	Left	Thru	Right	Peds	Left	Thru	Right	Peds	
6:00	2	112	5	4	1	7	6	0	2	34	0	0	1	3	9	0	182
6:15	2	122	5	0	1	6	12	0	4	55	0	0	11	5	11	0	234
6:30	7	189	8	1	5	9	16	1	8	63	2	0	4	6	10	1	327
6:45	12	177	13	3	4	5	13	0	7	64	1	0	9	6	13	1	324
7:00	16	235	10	2	4	13	11	0	12	73	5	0	11	16	22	1	428
7:15	12	277	12	3	6	21	18	0	5	105	2	1	15	17	22	2	512
7:30	9	259	11	4	8	12	20	3	10	117	2	0	20	17	18	0	503
7:45	15	270	20	9	5	20	19	1	17	116	2	0	40	13	25	0	562
8:00	9	325	26	2	5	11	6	0	16	100	5	0	12	12	20	2	547
8:15	14	271	15	4	8	12	14	0	6	83	8	1	17	11	25	3	484
8:30	12	209	11	2	4	13	13	1	20	103	4	1	17	14	13	2	433
8:45	7	175	16	4	3	16	16	1	11	88	7	0	15	10	14	3	378
9:00	4	160	13	3	8	8	9	0	9	93	5	0	17	8	14	0	348
9:15	7	128	17	3	2	13	12	1	11	101	4	3	20	8	17	0	340
9:30	12	141	7	1	6	9	15	0	9	81	6	0	20	12	14	1	332
9:45	6	113	23	5	4	7	14	0	12	100	2	0	19	6	15	1	321
10:00	10	118	16	2	2	16	12	0	16	97	7	0	17	5	22	2	338
10:15	11	119	13	1	8	14	5	1	9	99	5	0	19	9	15	4	326
10:30	8	135	19	1	6	10	9	0	16	118	1	0	16	10	16	3	364
10:45	15	110	17	5	3	11	12	2	16	116	2	1	18	10	13	2	343
11:00	11	133	20	0	6	6	12	2	13	122	11	1	18	15	23	1	390
11:15	8	137	12	0	8	17	23	0	14	143	9	1	27	11	23	0	432
11:30	13	123	13	5	4	5	14	0	13	122	5	0	24	15	24	0	375
11:45	7	131	24	2	8	12	9	1	17	153	9	4	23	17	16	2	426
12:00	10	160	17	1	9	12	21	1	21	161	6	1	19	8	15	4	459
12:15	10	149	9	3	7	17	11	2	12	161	8	1	20	12	13	4	429
12:30	15	140	25	3	14	8	15	4	16	164	11	0	16	20	11	1	455
12:45	15	130	23	3	4	12	24	1	17	149	9	1	15	18	14	1	430
13:00	13	163	18	2	13	14	23	1	11	141	10	2	25	16	13	3	460
13:15	17	145	21	3	8	12	16	1	18	159	6	1	27	8	14	2	451
13:30	12	138	26	1	14	17	15	2	16	153	11	0	19	7	20	6	448
13:45	19	131	16	3	9	4	14	1	18	147	13	1	33	11	19	0	434
14:00	15	119	19	3	11	9	17	1	7	169	11	1	29	20	16	1	442
14:15	17	155	19	1	5	17	22	1	23	183	5	1	20	18	21	3	505
14:30	19	146	25	8	14	20	24	0	14	188	7	0	23	20	20	2	520
14:45	15	135	16	8	7	24	39	7	16	206	9	2	29	20	30	1	546
15:00	15	144	18	9	10	18	24	1	15	225	11	1	30	22	17	4	549
15:15	24	176	25	7	11	16	15	2	21	230	7	3	24	22	19	2	590
15:30	15	151	29	5	10	31	26	0	26	235	11	0	34	29	24	5	621
15:45	12	166	15	7	14	23	22	5	22	299	11	5	20	21	33	3	658
16:00	17	125	14	4	10	26	28	7	16	311	9	1	24	25	33	0	638
16:15	11	180	21	5	8	17	24	4	29	299	5	0	29	15	20	10	658
16:30	12	155	19	7	12	23	33	1	22	357	8	1	22	21	22	4	706
16:45	16	169	21	3	10	27	24	3	18	238	11	3	30	21	39	1	624
17:00	14	160	16	7	9	21	24	3	20	370	18	0	35	26	27	3	740
17:15	16	186	18	2	9	17	22	0	22	329	14	2	30	19	19	1	701
17:30	15	175	20	5	8	18	29	3	32	299	6	4	32	21	16	0	671
17:45	15	148	24	3	7	22	18	2	15	223	9	1	23	18	17	0	539
18:00	13	173	14	2	10	14	16	1	21	291	4	0	31	16	15	2	618
18:15	26	149	19	1	5	20	25	0	19	206	6	0	18	15	5	2	513
18:30	20	133	19	2	5	15	23	1	14	168	3	1	24	13	9	0	446
18:45	17	136	21	4	12	19	21	1	20	133	6	2	18	15	15	1	433
Total	664	8406	893	178	384	766	925	70	794	8540	349	48	1109	753	950	97	24533
Cars+	626	8140	836	178	376	744	881	69	771	8212	330	47	1050	731	929	91	23626
Trucks	38	266	57	0	8	22	44	1	23	328	19	1	59	22	21	6	907
% Trucks	6.1	3.3	6.8	0.0	2.1	3.0	5.0	1.4	3.0	4.0	5.8	2.1	5.6	3.0	2.3	6.6	3.8

Location: Th 65 at 40th Avenue
 Count Date: 4/20/2017
 Counted By: JDA



AM PEAK HOUR TURNING MOVEMENT DATA
 All Vehicles

Start Time	TH 65				40th Avenue				TH 65				40th Avenue				Int. Total
	Southbound				Westbound				Northbound				Eastbound				
	Left	Thru	Right	Peds	Left	Thru	Right	Peds	Left	Thru	Right	Peds	Left	Thru	Right	Peds	
7:15	12	277	12	3	6	21	18	0	5	105	2	1	15	17	22	2	512
7:30	9	259	11	4	8	12	20	3	10	117	2	0	20	17	18	0	503
7:45	15	270	20	9	5	20	19	1	17	116	2	0	40	13	25	0	562
8:00	9	325	26	2	5	11	6	0	16	100	5	0	12	12	20	2	547
Total	45	1131	69	18	24	64	63	4	48	438	11	1	87	59	85	4	2124
% App. Total	3.6	89.5	5.5	1.4	1.9	5.1	5.0	0.3	3.8	34.7	0.9	0.1	6.9	4.7	6.7	0.3	
PHF	0.750	0.870	0.663	0.500	0.750	0.762	0.788	0.333	0.706	0.936	0.550	0.250	0.544	0.868	0.850	0.500	0.945
% Trucks	7.1	2.4	9.5	0.0	0.0	4.9	8.6	0.0	2.1	6.1	22.2	0.0	7.4	3.5	2.4	0.0	4.0
	2.9				5.6				6.0				4.5				

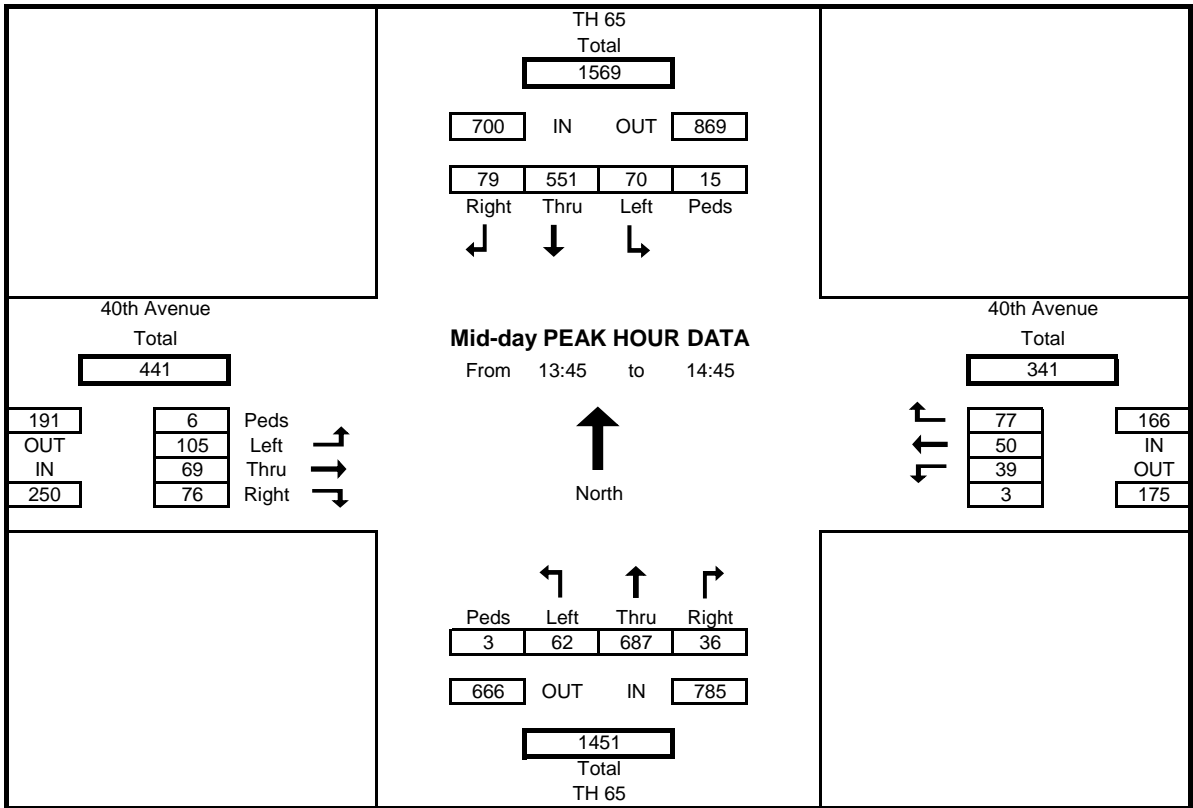


Location: Th 65 at 40th Avenue
 Count Date: 4/20/2017
 Counted By: JDA



Mid-Day PEAK HOUR TURNING MOVEMENT DATA
 All Vehicles

Start Time	TH 65				40th Avenue				TH 65				40th Avenue				Int. Total
	Southbound				Westbound				Northbound				Eastbound				
	Left	Thru	Right	Peds	Left	Thru	Right	Peds	Left	Thru	Right	Peds	Left	Thru	Right	Peds	
13:45	19	131	16	3	9	4	14	1	18	147	13	1	33	11	19	0	434
14:00	15	119	19	3	11	9	17	1	7	169	11	1	29	20	16	1	442
14:15	17	155	19	1	5	17	22	1	23	183	5	1	20	18	21	3	505
14:30	19	146	25	8	14	20	24	0	14	188	7	0	23	20	20	2	520
Total	70	551	79	15	39	50	77	3	62	687	36	3	105	69	76	6	1901
% App. Total	9.8	77.1	11.0	2.1	5.5	7.0	10.8	0.4	8.7	96.1	5.0	0.4	14.7	9.7	10.6	0.8	
PHF	0.921	0.889	0.790	0.469	0.696	0.625	0.802	0.750	0.674	0.914	0.692	0.750	0.795	0.863	0.905	0.500	0.914
% Trucks	7.7	3.4	5.3	0.0	0.0	13.6	8.5	50.0	0.0	4.9	2.9	0.0	5.0	4.5	2.7	0.0	4.5
		4.0				7.8				4.4				4.2			

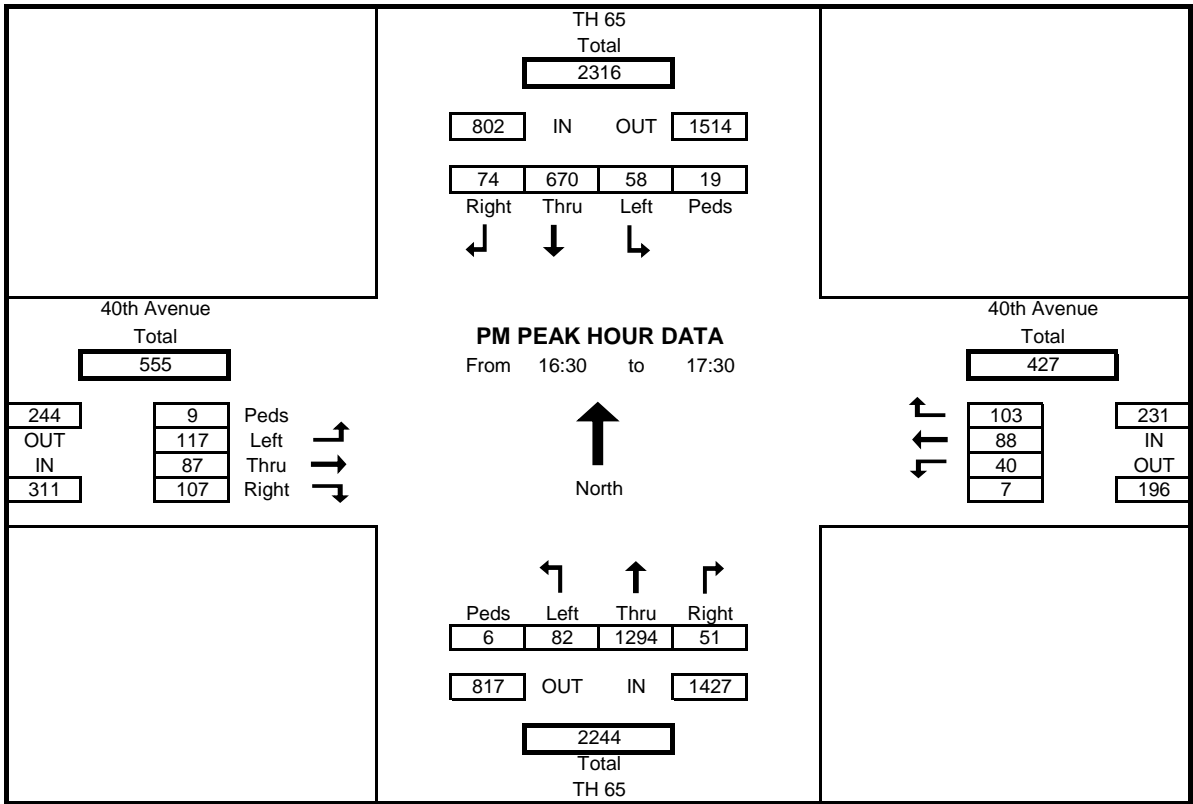


Location: Th 65 at 40th Avenue
 Count Date: 4/20/2017
 Counted By: JDA



AM PEAK HOUR TURNING MOVEMENT DATA
 All Vehicles

Start Time	TH 65 Southbound				40th Avenue Westbound				TH 65 Northbound				40th Avenue Eastbound				Int. Total
	Left	Thru	Right	Peds	Left	Thru	Right	Peds	Left	Thru	Right	Peds	Left	Thru	Right	Peds	
	16:30	12	155	19	7	12	23	33	1	22	357	8	1	22	21	22	
16:45	16	169	21	3	10	27	24	3	18	238	11	3	30	21	39	1	624
17:00	14	160	16	7	9	21	24	3	20	370	18	0	35	26	27	3	740
17:15	16	186	18	2	9	17	22	0	22	329	14	2	30	19	19	1	701
Total	58	670	74	19	40	88	103	7	82	1294	51	6	117	87	107	9	2771
% App. Total	7.1	81.6	9.0	2.3	4.9	10.7	12.5	0.9	10.0	157.6	6.2	0.7	14.3	10.6	13.0	1.1	
PHF	0.906	0.901	0.881	0.679	0.833	0.815	0.780	0.583	0.932	0.874	0.708	0.500	0.836	0.837	0.686	0.563	0.936
% Trucks	1.8	2.9	7.2	0.0	0.0	2.3	2.0	0.0	2.5	2.1	2.0	20.0	3.5	2.4	1.9	0.0	2.5
	3.2				1.8				2.1				2.6				



Location: Th 65 at 40th Avenue
 Count Date: 4/20/2017
 Counted By: JDA



TURNING MOVEMENT COUNT DATA

Cars+

Start Time	TH 65				40th Avenue				TH 65				40th Avenue				Int. Total
	Southbound				Westbound				Northbound				Eastbound				
	Left	Thru	Right	Peds	Left	Thru	Right	Peds	Left	Thru	Right	Peds	Left	Thru	Right	Peds	
6:00	2	103	3	4	1	7	5	0	2	32	0	0	1	3	9	0	168
6:15	2	117	4	0	1	5	11	0	4	49	0	0	9	5	11	0	218
6:30	6	175	7	1	4	9	16	1	6	58	2	0	3	6	8	1	300
6:45	11	167	11	3	4	5	12	0	7	59	1	0	5	5	12	1	299
7:00	11	229	9	2	4	11	8	0	12	69	3	0	11	13	22	1	402
7:15	12	271	10	3	6	19	17	0	5	102	2	1	14	15	21	2	494
7:30	7	250	9	4	8	11	18	3	9	113	2	0	18	17	18	0	480
7:45	14	267	19	9	5	20	18	1	17	105	2	0	38	13	24	0	542
8:00	9	317	25	2	5	11	5	0	16	93	3	0	11	12	20	2	527
8:15	12	263	14	4	8	12	14	0	6	79	6	1	16	9	25	2	464
8:30	11	203	10	2	4	12	12	1	19	97	4	1	17	13	12	2	414
8:45	6	171	15	4	3	16	15	1	9	86	7	0	14	10	14	3	366
9:00	4	155	12	3	8	7	8	0	8	85	4	0	17	8	14	0	330
9:15	7	123	16	3	2	13	12	1	9	100	4	3	19	8	17	0	330
9:30	11	135	6	1	6	9	14	0	8	75	4	0	18	12	13	1	311
9:45	5	105	23	5	4	7	14	0	10	94	1	0	18	6	14	1	301
10:00	9	114	15	2	2	15	12	0	16	90	7	0	17	5	22	2	324
10:15	10	115	13	1	8	14	5	1	9	96	5	0	18	9	15	4	317
10:30	8	131	17	1	6	9	7	0	15	111	1	0	15	9	16	3	345
10:45	14	104	15	5	3	11	11	2	16	109	2	1	18	10	12	2	325
11:00	11	130	17	0	6	6	12	2	10	115	10	1	16	15	22	1	370
11:15	8	134	12	0	8	17	21	0	14	135	9	1	26	11	22	0	417
11:30	13	118	12	5	4	5	13	0	13	116	5	0	24	15	23	0	361
11:45	7	128	23	2	8	12	9	1	17	148	8	4	18	16	16	2	410
12:00	9	153	16	1	9	12	21	1	20	151	6	1	18	7	15	4	437
12:15	9	145	9	3	7	17	10	2	12	153	8	1	19	12	13	4	414
12:30	15	137	24	3	14	8	15	4	16	160	9	0	14	20	11	1	443
12:45	13	126	23	3	4	12	22	1	17	142	8	1	15	18	14	1	414
13:00	13	155	16	2	12	14	22	1	11	135	10	2	25	16	13	2	442
13:15	17	140	20	3	8	10	16	1	18	149	6	1	25	8	13	2	430
13:30	12	134	25	1	13	17	15	2	15	147	10	0	19	6	20	6	433
13:45	16	128	16	3	9	4	13	1	18	141	12	1	32	11	19	0	419
14:00	14	114	17	3	11	9	17	1	7	158	11	1	27	20	14	1	419
14:15	17	152	19	1	5	14	20	0	23	175	5	1	19	16	21	3	486
14:30	18	139	23	8	14	17	21	0	14	181	7	0	22	19	20	2	495
14:45	13	131	15	8	7	23	37	7	15	197	8	2	27	18	28	1	519
15:00	14	135	17	9	10	18	23	1	15	222	11	1	27	22	16	4	530
15:15	23	166	24	7	8	16	13	2	21	217	7	3	22	22	18	2	557
15:30	15	148	26	5	9	30	26	0	26	230	11	0	34	28	24	4	607
15:45	9	163	14	7	13	23	20	5	22	291	11	5	18	21	33	2	638
16:00	17	121	13	4	10	26	27	7	15	303	9	1	24	25	33	0	623
16:15	11	177	21	5	8	17	24	4	28	294	5	0	28	14	20	8	647
16:30	12	148	18	7	12	23	32	1	22	354	8	1	22	21	22	4	694
16:45	15	167	20	3	10	27	24	3	18	229	11	3	28	19	39	1	607
17:00	14	154	16	7	9	19	24	3	20	363	17	0	34	26	26	3	722
17:15	16	182	15	2	9	17	21	0	20	321	14	1	29	19	18	1	681
17:30	15	169	20	5	8	18	29	3	32	289	6	4	31	21	16	0	654
17:45	14	147	22	3	7	22	17	2	15	217	9	1	21	18	17	0	526
18:00	13	170	13	2	10	14	16	1	21	284	4	0	31	16	15	2	607
18:15	26	148	19	1	5	20	25	0	19	201	6	0	17	15	5	2	506
18:30	19	132	18	2	5	15	21	1	14	166	3	1	23	13	9	0	438
18:45	17	134	20	4	12	19	21	1	20	126	6	2	18	15	15	1	423
Total	626	8140	836	178	376	744	881	69	771	8212	330	47	1050	731	929	91	23626
Cars+	626	8140	836	178	376	744	881	69	771	8212	330	47	1050	731	929	91	23626
Trucks	38	266	57	0	8	22	44	1	23	328	19	1	59	22	21	6	907
% Trucks	6.1	3.3	6.8	0.0	2.1	3.0	5.0	1.4	3.0	4.0	5.8	2.1	5.6	3.0	2.3	6.6	3.8

Location: Th 65 at 40th Avenue
 Count Date: 4/20/2017
 Counted By: JDA



TURNING MOVEMENT COUNT DATA
Heavy Vehicles

Start Time	TH 65				40th Avenue				TH 65				40th Avenue				Int. Total
	Southbound				Westbound				Northbound				Eastbound				
	Left	Thru	Right	Bikes	Left	Thru	Right	Bikes	Left	Thru	Right	Bikes	Left	Thru	Right	Bikes	
6:00	0	9	2	0	0	0	1	0	0	2	0	0	0	0	0	0	14
6:15	0	5	1	0	0	1	1	0	0	6	0	0	2	0	0	0	16
6:30	1	14	1	0	1	0	0	0	2	5	0	0	1	0	2	0	27
6:45	1	10	2	0	0	0	1	0	0	5	0	0	4	1	1	0	25
7:00	5	6	1	0	0	2	3	0	0	4	2	0	0	3	0	0	26
7:15	0	6	2	0	0	2	1	0	0	3	0	0	1	2	1	0	18
7:30	2	9	2	0	0	1	2	0	1	4	0	0	2	0	0	0	23
7:45	1	3	1	0	0	0	1	0	0	11	0	0	2	0	1	0	20
8:00	0	8	1	0	0	0	1	0	0	7	2	0	1	0	0	0	20
8:15	2	8	1	0	0	0	0	0	0	4	2	0	1	2	0	1	20
8:30	1	6	1	0	0	1	1	0	1	6	0	0	0	1	1	0	19
8:45	1	4	1	0	0	0	1	0	2	2	0	0	1	0	0	0	12
9:00	0	5	1	0	0	1	1	0	1	8	1	0	0	0	0	0	18
9:15	0	5	1	0	0	0	0	0	2	1	0	0	1	0	0	0	10
9:30	1	6	1	0	0	0	1	0	1	6	2	0	2	0	1	0	21
9:45	1	8	0	0	0	0	0	0	2	6	1	0	1	0	1	0	20
10:00	1	4	1	0	0	1	0	0	0	7	0	0	0	0	0	0	14
10:15	1	4	0	0	0	0	0	0	0	3	0	0	1	0	0	0	9
10:30	0	4	2	0	0	1	2	0	1	7	0	0	1	1	0	0	19
10:45	1	6	2	0	0	0	1	0	0	7	0	0	0	0	1	0	18
11:00	0	3	3	0	0	0	0	0	3	7	1	0	2	0	1	0	20
11:15	0	3	0	0	0	0	2	0	0	8	0	0	1	0	1	0	15
11:30	0	5	1	0	0	0	1	0	0	6	0	0	0	0	1	0	14
11:45	0	3	1	0	0	0	0	0	0	5	1	0	5	1	0	0	16
12:00	1	7	1	0	0	0	0	0	1	10	0	0	1	1	0	0	22
12:15	1	4	0	0	0	0	1	0	0	8	0	0	1	0	0	0	15
12:30	0	3	1	0	0	0	0	0	0	4	2	0	2	0	0	0	12
12:45	2	4	0	0	0	0	2	0	0	7	1	0	0	0	0	0	16
13:00	0	8	2	0	1	0	1	0	0	6	0	0	0	0	0	1	18
13:15	0	5	1	0	0	2	0	0	0	10	0	0	2	0	1	0	21
13:30	0	4	1	0	1	0	0	0	1	6	1	0	0	1	0	0	15
13:45	3	3	0	0	0	0	1	0	0	6	1	0	1	0	0	0	15
14:00	1	5	2	0	0	0	0	0	0	11	0	0	2	0	2	0	23
14:15	0	3	0	0	0	3	2	1	0	8	0	0	1	2	0	0	19
14:30	1	7	2	0	0	3	3	0	0	7	0	0	1	1	0	0	25
14:45	2	4	1	0	0	1	2	0	1	9	1	0	2	2	2	0	27
15:00	1	9	1	0	0	0	1	0	0	3	0	0	3	0	1	0	19
15:15	1	10	1	0	3	0	2	0	0	13	0	0	2	0	1	0	33
15:30	0	3	3	0	1	1	0	0	0	5	0	0	0	1	0	1	14
15:45	3	3	1	0	1	0	2	0	0	8	0	0	2	0	0	1	20
16:00	0	4	1	0	0	0	1	0	1	8	0	0	0	0	0	0	15
16:15	0	3	0	0	0	0	0	0	1	5	0	0	1	1	0	2	11
16:30	0	7	1	0	0	0	1	0	0	3	0	0	0	0	0	0	12
16:45	1	2	1	0	0	0	0	0	0	9	0	0	2	2	0	0	17
17:00	0	6	0	0	0	2	0	0	0	7	1	0	1	0	1	0	18
17:15	0	4	3	0	0	0	1	0	2	8	0	1	1	0	1	0	20
17:30	0	6	0	0	0	0	0	0	0	10	0	0	1	0	0	0	17
17:45	1	1	2	0	0	0	1	0	0	6	0	0	2	0	0	0	13
18:00	0	3	1	0	0	0	0	0	0	7	0	0	0	0	0	0	11
18:15	0	1	0	0	0	0	0	0	0	5	0	0	1	0	0	0	7
18:30	1	1	1	0	0	0	2	0	0	2	0	0	1	0	0	0	8
18:45	0	2	1	0	0	0	0	0	0	7	0	0	0	0	0	0	10
Total	38	266	57	0	8	22	44	1	23	328	19	1	59	22	21	6	907
Cars+	626	8140	836	178	376	744	881	69	771	8212	330	47	1050	731	929	91	23626
Trucks	38	266	57	0	8	22	44	1	23	328	19	1	59	22	21	6	907
% Trucks	6.1	3.3	6.8	0.0	2.1	3.0	5.0	1.4	3.0	4.0	5.8	2.1	5.6	3.0	2.3	6.6	3.8
	3.8				3.7				4.0				3.8				