

# Alliant Engineering, Inc.

233 Park Ave Suite 300  
 Minneapolis, MN 55415  
 --TRAFFIC DATA--

TH 55 and Fernbrook Lane  
 Ref.Pt.: 180.286  
 data by : Alliant Inc.  
 TURN MOVEMENT COUNT

File Name : 411\_TH 55 & Fernbrook Ln  
 Site Code : 411  
 Start Date : 2/1/2018  
 Page No : 1

## Groups Printed- Class 1 - Class 2

Start Time	Fernbrook Ln From North					TH 55 From East					Fernbrook Ln From South					TH 55 From West					Int. Total
	Other	Right	Thru	Left	App. Total	Other	Right	Thru	Left	App. Total	Other	Right	Thru	Left	App. Total	Other	Right	Thru	Left	App. Total	
06:00 AM	0	6	14	28	48	0	49	118	22	189	7	35	12	1	55	0	9	299	5	313	605
06:15 AM	0	1	21	34	56	0	83	183	8	274	0	15	6	0	21	0	4	371	0	375	726
06:30 AM	0	3	29	34	66	0	45	206	53	304	1	10	6	4	21	0	11	522	2	535	926
06:45 AM	0	1	33	33	67	0	100	236	80	416	0	18	7	2	27	0	8	529	12	549	1059
Total	0	11	97	129	237	0	277	743	163	1183	8	78	31	7	124	0	32	1721	19	1772	3316
07:00 AM	0	7	34	57	98	0	60	266	89	415	0	10	12	8	30	0	11	592	4	607	1150
07:15 AM	0	22	46	98	166	0	73	292	67	432	0	14	13	7	34	0	24	610	20	654	1286
07:30 AM	0	14	42	74	130	0	91	334	111	536	0	5	15	6	26	0	18	568	18	604	1296
07:45 AM	0	7	78	82	167	0	102	356	73	531	0	13	14	5	32	0	26	684	17	727	1457
Total	0	50	200	311	561	0	326	1248	340	1914	0	42	54	26	122	0	79	2454	59	2592	5189
08:00 AM	0	0	69	70	139	0	131	335	68	534	0	17	44	7	68	0	17	616	46	679	1420
08:15 AM	0	0	34	92	126	0	86	284	48	418	0	21	21	14	56	0	17	561	26	604	1204
08:30 AM	0	4	35	92	131	0	95	324	48	467	0	13	36	3	52	4	20	562	19	605	1255
08:45 AM	0	2	42	87	131	0	81	302	45	428	0	21	30	6	57	0	21	587	7	615	1231
Total	0	6	180	341	527	0	393	1245	209	1847	0	72	131	30	233	4	75	2326	98	2503	5110
09:00 AM	0	0	31	63	94	0	104	270	31	405	0	21	25	2	48	0	13	449	14	476	1023
09:15 AM	0	0	25	49	74	0	64	236	31	331	0	34	26	7	67	0	12	464	25	501	973
*** BREAK ***																					
Total	0	0	56	112	168	0	168	506	62	736	0	55	51	9	115	0	25	913	39	977	1996
*** BREAK ***																					
10:30 AM	0	15	21	31	67	0	44	169	35	248	0	17	25	5	47	0	10	390	17	417	779
10:45 AM	1	2	16	40	59	0	62	262	52	376	0	11	20	9	40	2	29	303	33	367	842
Total	1	17	37	71	126	0	106	431	87	624	0	28	45	14	87	2	39	693	50	784	1621
11:00 AM	0	16	17	46	79	0	75	252	48	375	0	20	22	17	59	1	20	322	29	372	885
11:15 AM	0	18	24	43	85	1	73	261	45	380	0	25	37	27	89	0	38	290	21	349	903
11:30 AM	0	10	17	44	71	1	65	227	44	337	0	20	65	28	113	0	24	262	23	309	830
11:45 AM	4	19	34	47	104	0	126	386	70	582	0	33	43	34	110	0	32	348	13	393	1189
Total	4	63	92	180	339	2	339	1126	207	1674	0	98	167	106	371	1	114	1222	86	1423	3807
12:00 PM	7	9	32	35	83	1	86	330	73	490	0	94	84	35	213	0	41	401	40	482	1268
12:15 PM	1	18	28	45	92	0	95	370	64	529	0	39	61	17	117	0	47	315	48	410	1148
12:30 PM	1	42	36	52	131	0	97	354	57	508	0	47	60	23	130	0	35	309	42	386	1155
12:45 PM	10	46	31	54	141	0	82	333	80	495	0	55	50	20	125	0	48	370	49	467	1228
Total	19	115	127	186	447	1	360	1387	274	2022	0	235	255	95	585	0	171	1395	179	1745	4799
01:00 PM	0	37	29	48	114	0	88	368	77	533	0	66	59	11	136	0	32	370	31	433	1216
01:15 PM	0	11	20	62	93	0	82	312	77	471	0	64	30	16	110	0	42	316	36	394	1068
*** BREAK ***																					
Total	0	48	49	110	207	0	170	680	154	1004	0	130	89	27	246	0	74	686	67	827	2284
*** BREAK ***																					
02:30 PM	0	12	26	45	83	0	72	338	68	478	0	69	32	20	121	0	19	379	36	434	1116
02:45 PM	3	13	15	48	79	0	83	361	56	500	0	71	47	26	144	0	10	402	23	435	1158
Total	3	25	41	93	162	0	155	699	124	978	0	140	79	46	265	0	29	781	59	869	2274
03:00 PM	0	24	20	44	88	0	75	439	51	565	0	95	45	20	160	0	11	415	19	445	1258
03:15 PM	4	25	28	55	112	0	99	461	72	632	0	67	29	34	130	0	8	441	19	468	1342
03:30 PM	2	11	14	42	69	0	92	418	23	533	0	94	102	24	220	0	18	554	35	607	1429
03:45 PM	0	15	28	58	101	0	93	512	47	652	0	86	52	28	166	0	12	523	23	558	1477
Total	6	75	90	199	370	0	359	1830	193	2382	0	342	228	106	676	0	49	1933	96	2078	5506
04:00 PM	8	18	17	64	107	0	92	494	31	617	0	137	64	36	237	2	21	492	25	540	1501
04:15 PM	7	20	34	68	129	0	102	473	26	601	0	85	76	34	195	0	24	475	24	523	1448
04:30 PM	4	22	20	62	108	0	122	565	27	714	0	130	65	43	238	0	12	551	30	593	1653

# Alliant Engineering, Inc.

233 Park Ave Suite 300

Minneapolis, MN 55415

--TRAFFIC DATA--

TH 55 and Fernbrook Lane  
 Ref.Pt.: 180.286  
 data by : Alliant Inc.  
 TURN MOVEMENT COUNT

File Name : 411\_TH 55 & Fernbrook Ln  
 Site Code : 411  
 Start Date : 2/1/2018  
 Page No : 2

Groups Printed- Class 1 - Class 2

Start Time	Fernbrook Ln From North					TH 55 From East					Fernbrook Ln From South					TH 55 From West					Int. Total
	Other	Rght	Thru	Left	App. Total	Other	Rght	Thru	Left	App. Total	Other	Rght	Thru	Left	App. Total	Other	Rght	Thru	Left	App. Total	
04:45 PM	1	25	28	76	130	0	165	589	29	783	0	103	87	39	229	2	13	530	42	587	1729
Total	20	85	99	270	474	0	481	2121	113	2715	0	455	292	152	899	4	70	2048	121	2243	6331
05:00 PM	1	48	34	65	148	0	122	521	37	680	0	59	151	54	264	0	16	513	36	565	1657
05:15 PM	1	22	18	40	81	0	138	606	27	771	0	56	85	21	162	0	30	490	60	580	1594
05:30 PM	1	14	16	47	78	0	141	613	33	787	0	54	32	21	107	0	8	397	29	434	1406
05:45 PM	0	22	22	49	93	0	93	499	38	630	0	82	41	36	159	0	10	347	13	370	1252
Total	3	106	90	201	400	0	494	2239	135	2868	0	251	309	132	692	0	64	1747	138	1949	5909
Grand Total	56	601	1158	2203	4018	3	3628	14255	2061	19947	8	1926	1731	750	4415	11	821	17919	1011	19762	48142
Apprch %	1.4	15	28.8	54.8		0	18.2	71.5	10.3		0.2	43.6	39.2	17		0.1	4.2	90.7	5.1		
Total %	0.1	1.2	2.4	4.6	8.3	0	7.5	29.6	4.3	41.4	0	4	3.6	1.6	9.2	0	1.7	37.2	2.1	41	
Class 1	43	572	1135	2160	3910	0	3541	13820	1968	19329	8	1852	1678	729	4267	8	769	17432	984	19193	46699
% Class 1	76.8	95.2	98	98	97.3	0	97.6	96.9	95.5	96.9	100	96.2	96.9	97.2	96.6	72.7	93.7	97.3	97.3	97.1	97
Class 2	13	29	23	43	108	3	87	435	93	618	0	74	53	21	148	3	52	487	27	569	1443
% Class 2	23.2	4.8	2	2	2.7	100	2.4	3.1	4.5	3.1	0	3.8	3.1	2.8	3.4	27.3	6.3	2.7	2.7	2.9	3

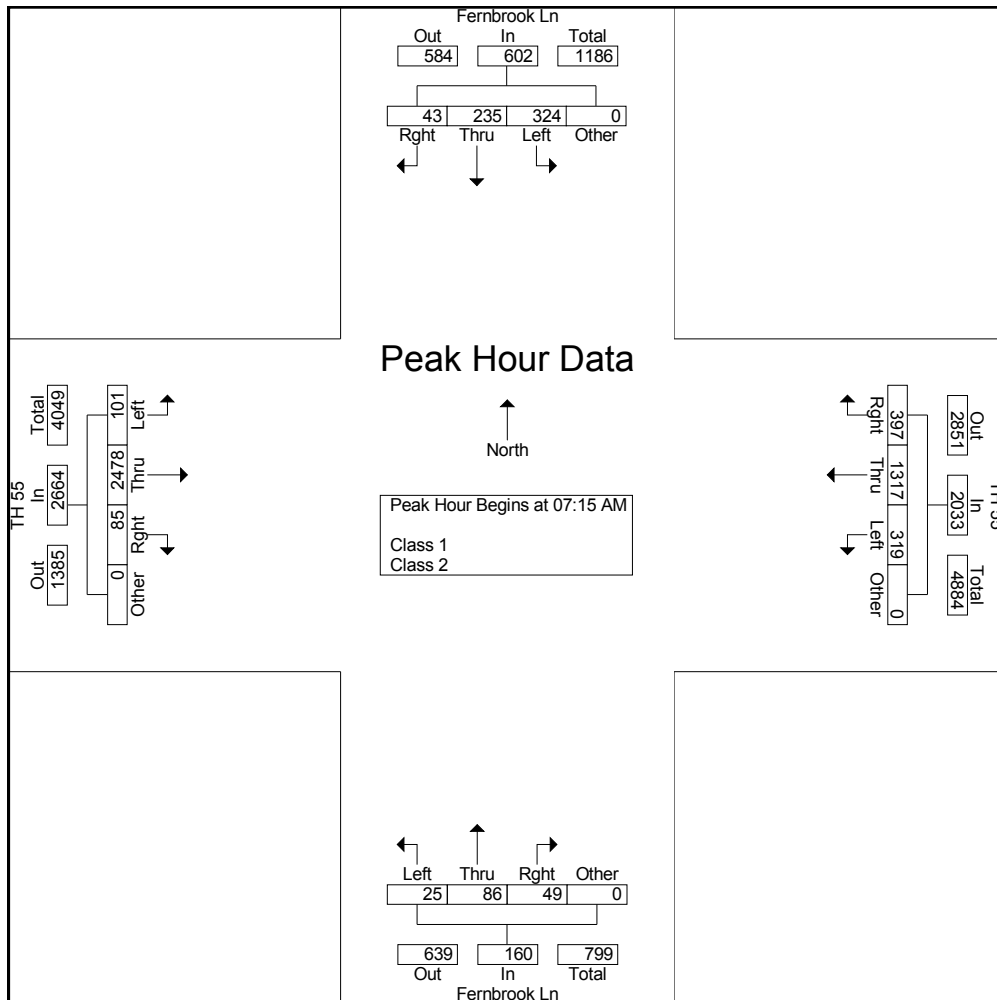
# Alliant Engineering, Inc.

233 Park Ave Suite 300  
 Minneapolis, MN 55415  
 --TRAFFIC DATA--

TH 55 and Fernbrook Lane  
 Ref.Pt.: 180.286  
 data by : Alliant Inc.  
 TURN MOVEMENT COUNT

File Name : 411\_TH 55 & Fernbrook Ln  
 Site Code : 411  
 Start Date : 2/1/2018  
 Page No : 3

Start Time	Fernbrook Ln From North					TH 55 From East					Fernbrook Ln From South					TH 55 From West					Int. Total
	Other	Right	Thru	Left	App. Total	Other	Right	Thru	Left	App. Total	Other	Right	Thru	Left	App. Total	Other	Right	Thru	Left	App. Total	
Peak Hour Analysis From 06:00 AM to 11:45 AM - Peak 1 of 1																					
Peak Hour for Entire Intersection Begins at 07:15 AM																					
07:15 AM	0	22	46	98	166	0	73	292	67	432	0	14	13	7	34	0	24	610	20	654	1286
07:30 AM	0	14	42	74	130	0	91	334	111	536	0	5	15	6	26	0	18	568	18	604	1296
07:45 AM	0	7	78	82	167	0	102	356	73	531	0	13	14	5	32	0	26	684	17	727	1457
08:00 AM	0	0	69	70	139	0	131	335	68	534	0	17	44	7	68	0	17	616	46	679	1420
Total Volume	0	43	235	324	602	0	397	1317	319	2033	0	49	86	25	160	0	85	2478	101	2664	5459
% App. Total	0	7.1	39	53.8		0	19.5	64.8	15.7		0	30.6	53.8	15.6		0	3.2	93	3.8		
PHF	.000	.489	.753	.827	.901	.000	.758	.925	.718	.948	.000	.721	.489	.893	.588	.000	.817	.906	.549	.916	.937



# Alliant Engineering, Inc.

233 Park Ave Suite 300  
 Minneapolis, MN 55415  
 --TRAFFIC DATA--

TH 55 and Fernbrook Lane  
 Ref.Pt.: 180.286  
 data by : Alliant Inc.  
 TURN MOVEMENT COUNT

File Name : 411\_TH 55 & Fernbrook Ln  
 Site Code : 411  
 Start Date : 2/1/2018  
 Page No : 4

Start Time	Fernbrook Ln From North					TH 55 From East					Fernbrook Ln From South					TH 55 From West					Int. Total
	Other	Rght	Thru	Left	App. Total	Other	Rght	Thru	Left	App. Total	Other	Rght	Thru	Left	App. Total	Other	Rght	Thru	Left	App. Total	
Peak Hour Analysis From 12:00 PM to 05:45 PM - Peak 1 of 1																					
Peak Hour for Entire Intersection Begins at 04:30 PM																					
04:30 PM	4	22	20	62	108	0	122	565	27	714	0	130	65	43	238	0	12	551	30	593	1653
04:45 PM	1	25	28	76	130	0	165	589	29	783	0	103	87	39	229	2	13	530	42	587	1729
05:00 PM	1	48	34	65	148	0	122	521	37	680	0	59	151	54	264	0	16	513	36	565	1657
05:15 PM	1	22	18	40	81	0	138	606	27	771	0	56	85	21	162	0	30	490	60	580	1594
Total Volume	7	117	100	243	467	0	547	2281	120	2948	0	348	388	157	893	2	71	2084	168	2325	6633
% App. Total	1.5	25.1	21.4	52		0	18.6	77.4	4.1		0	39	43.4	17.6		0.1	3.1	89.6	7.2		
PHF	.438	.609	.735	.799	.789	.000	.829	.941	.811	.941	.000	.669	.642	.727	.846	.250	.592	.946	.700	.980	.959

