

Alliant Engineering, Inc.

233 Park Ave Suite 300

Minneapolis, MN 55415

--TRAFFIC DATA--

TH 55 and Vicksburg Lane

Ref.Pt.: 179.186

data by : Alliant Inc.

TURN MOVEMENT COUNT

File Name : 409_TH 55 & Vicksburg Ln

Site Code : 409

Start Date : 2/1/2018

Page No : 1

Groups Printed- Class 1 - Class 2

Start Time	Vicksburg Ln From North					TH 55 From East					Vicksburg Ln From South					TH 55 From West					Int. Total
	Other	Right	Thru	Left	App. Total	Other	Right	Thru	Left	App. Total	Other	Right	Thru	Left	App. Total	Other	Right	Thru	Left	App. Total	
06:00 AM	0	2	11	15	28	0	10	58	7	75	0	6	12	2	20	0	7	245	8	260	383
06:15 AM	0	3	27	15	45	0	11	74	9	94	0	5	11	6	22	0	0	321	9	330	491
06:30 AM	0	4	41	39	84	0	22	109	12	143	0	14	24	12	50	0	2	350	10	362	639
06:45 AM	0	3	39	52	94	0	25	127	26	178	0	12	24	17	53	0	32	407	11	450	775
Total	0	12	118	121	251	0	68	368	54	490	0	37	71	37	145	0	41	1323	38	1402	2288
07:00 AM	0	5	70	44	119	0	13	197	11	221	0	10	26	23	59	0	31	468	9	508	907
07:15 AM	0	8	105	90	203	0	25	158	24	207	0	1	31	19	51	0	43	447	13	503	964
07:30 AM	0	6	124	73	203	0	24	215	38	277	0	11	61	34	106	0	31	467	15	513	1099
07:45 AM	0	9	158	96	263	0	15	256	30	301	0	3	54	44	101	0	39	416	27	482	1147
Total	0	28	457	303	788	0	77	826	103	1006	0	25	172	120	317	0	144	1798	64	2006	4117
08:00 AM	0	5	124	66	195	0	23	369	37	429	0	3	38	56	97	0	31	413	16	460	1181
08:15 AM	0	11	82	68	161	0	39	213	30	282	0	13	47	19	79	0	42	455	21	518	1040
08:30 AM	0	16	51	39	106	0	68	212	32	312	0	12	58	22	92	0	33	370	22	425	935
08:45 AM	0	6	94	52	152	0	28	149	47	224	0	6	45	14	65	0	67	391	20	478	919
Total	0	38	351	225	614	0	158	943	146	1247	0	34	188	111	333	0	173	1629	79	1881	4075
09:00 AM	0	7	67	50	124	0	33	99	23	155	0	13	87	37	137	0	21	259	32	312	728
09:15 AM	0	8	44	27	79	0	30	112	36	178	0	28	58	17	103	0	19	280	26	325	685
*** BREAK ***																					
Total	0	15	111	77	203	0	63	211	59	333	0	41	145	54	240	0	40	539	58	637	1413
*** BREAK ***																					
10:30 AM	0	12	58	51	121	1	17	147	22	187	0	36	39	13	88	0	31	157	21	209	605
10:45 AM	0	11	74	45	130	1	36	136	47	220	0	25	51	25	101	0	11	160	11	182	633
Total	0	23	132	96	251	2	53	283	69	407	0	61	90	38	189	0	42	317	32	391	1238
11:00 AM	0	22	67	42	131	0	36	116	62	214	0	13	62	32	107	0	36	181	32	249	701
11:15 AM	0	23	77	45	145	0	36	154	57	247	0	27	75	24	126	0	30	196	31	257	775
11:30 AM	0	25	49	65	139	0	53	142	43	238	0	17	80	36	133	0	19	183	37	239	749
11:45 AM	0	35	64	52	151	0	69	166	43	278	0	15	81	33	129	0	15	179	58	252	810
Total	0	105	257	204	566	0	194	578	205	977	0	72	298	125	495	0	100	739	158	997	3035
12:00 PM	0	39	30	30	99	0	65	122	84	271	0	14	59	35	108	0	12	132	38	182	660
12:15 PM	0	60	36	32	128	0	61	150	67	278	0	20	88	41	149	0	10	176	28	214	769
12:30 PM	0	49	55	76	180	0	46	173	61	280	0	32	96	28	156	0	29	179	4	212	828
12:45 PM	0	55	74	62	191	0	57	216	63	336	0	26	107	48	181	0	30	202	1	233	941
Total	0	203	195	200	598	0	229	661	275	1165	0	92	350	152	594	0	81	689	71	841	3198
01:00 PM	0	38	72	71	181	0	38	210	78	326	0	33	94	31	158	0	25	207	0	232	897
01:15 PM	0	28	62	50	140	0	61	177	69	307	0	30	108	34	172	1	26	179	0	206	825
*** BREAK ***																					
Total	0	66	134	121	321	0	99	387	147	633	0	63	202	65	330	1	51	386	0	438	1722
*** BREAK ***																					
02:30 PM	0	23	58	26	107	0	44	197	25	266	0	31	100	23	154	0	25	176	0	201	728
02:45 PM	1	38	66	36	141	0	37	174	41	252	0	26	90	40	156	1	22	186	2	211	760
Total	1	61	124	62	248	0	81	371	66	518	0	57	190	63	310	1	47	362	2	412	1488
03:00 PM	0	40	62	37	139	0	46	204	38	288	0	14	73	37	124	0	21	199	0	220	771
03:15 PM	0	44	95	41	180	0	61	242	39	342	0	15	94	39	148	0	40	208	2	250	920
03:30 PM	0	36	71	43	150	0	30	269	20	319	0	21	108	44	173	0	35	237	0	272	914
03:45 PM	0	38	46	46	130	0	68	240	49	357	0	15	81	53	149	0	38	246	1	285	921
Total	0	158	274	167	599	0	205	955	146	1306	0	65	356	173	594	0	134	890	3	1027	3526
04:00 PM	0	77	91	49	217	0	54	263	43	360	0	29	135	52	216	1	25	193	0	219	1012
04:15 PM	0	86	95	59	240	0	97	288	44	429	0	9	118	86	213	0	13	226	1	240	1122
04:30 PM	0	76	50	47	173	0	65	385	48	498	0	25	125	81	231	0	26	215	0	241	1143

Alliant Engineering, Inc.

233 Park Ave Suite 300

Minneapolis, MN 55415

--TRAFFIC DATA--

TH 55 and Vicksburg Lane

Ref.Pt.: 179.186

data by : Alliant Inc.

TURN MOVEMENT COUNT

File Name : 409_TH 55 & Vicksburg Ln

Site Code : 409_____

Start Date : 2/1/2018

Page No : 2

Groups Printed- Class 1 - Class 2

Start Time	Vicksburg Ln From North					TH 55 From East					Vicksburg Ln From South					TH 55 From West					Int. Total
	Other	Rght	Thru	Left	App. Total	Other	Rght	Thru	Left	App. Total	Other	Rght	Thru	Left	App. Total	Other	Rght	Thru	Left	App. Total	
04:45 PM	0	66	83	38	187	0	70	346	61	477	0	12	122	65	199	0	40	189	0	229	1092
Total	0	305	319	193	817	0	286	1282	196	1764	0	75	500	284	859	1	104	823	1	929	4369
05:00 PM	0	74	114	61	249	0	70	339	54	463	0	16	139	93	248	0	18	192	0	210	1170
05:15 PM	0	93	101	88	282	0	88	271	44	403	0	6	142	81	229	0	40	233	0	273	1187
05:30 PM	1	43	81	55	180	0	108	264	59	431	0	19	113	72	204	0	17	210	0	227	1042
05:45 PM	0	67	72	70	209	0	90	289	32	411	0	4	148	49	201	0	18	194	2	214	1035
Total	1	277	368	274	920	0	356	1163	189	1708	0	45	542	295	882	0	93	829	2	924	4434
Grand Total	2	1291	2840	2043	6176	2	1869	8028	1655	11554	0	667	3104	1517	5288	3	1050	10324	508	11885	34903
Apprch %	0	20.9	46	33.1		0	16.2	69.5	14.3		0	12.6	58.7	28.7		0	8.8	86.9	4.3		
Total %	0	3.7	8.1	5.9	17.7	0	5.4	23	4.7	33.1	0	1.9	8.9	4.3	15.2	0	3	29.6	1.5	34.1	
Class 1	2	1274	2774	1988	6038	2	1819	7676	1608	11105	0	645	3024	1429	5098	3	997	9926	495	11421	33662
% Class 1	100	98.7	97.7	97.3	97.8	100	97.3	95.6	97.2	96.1	0	96.7	97.4	94.2	96.4	100	95	96.1	97.4	96.1	96.4
Class 2	0	17	66	55	138	0	50	352	47	449	0	22	80	88	190	0	53	398	13	464	1241
% Class 2	0	1.3	2.3	2.7	2.2	0	2.7	4.4	2.8	3.9	0	3.3	2.6	5.8	3.6	0	5	3.9	2.6	3.9	3.6

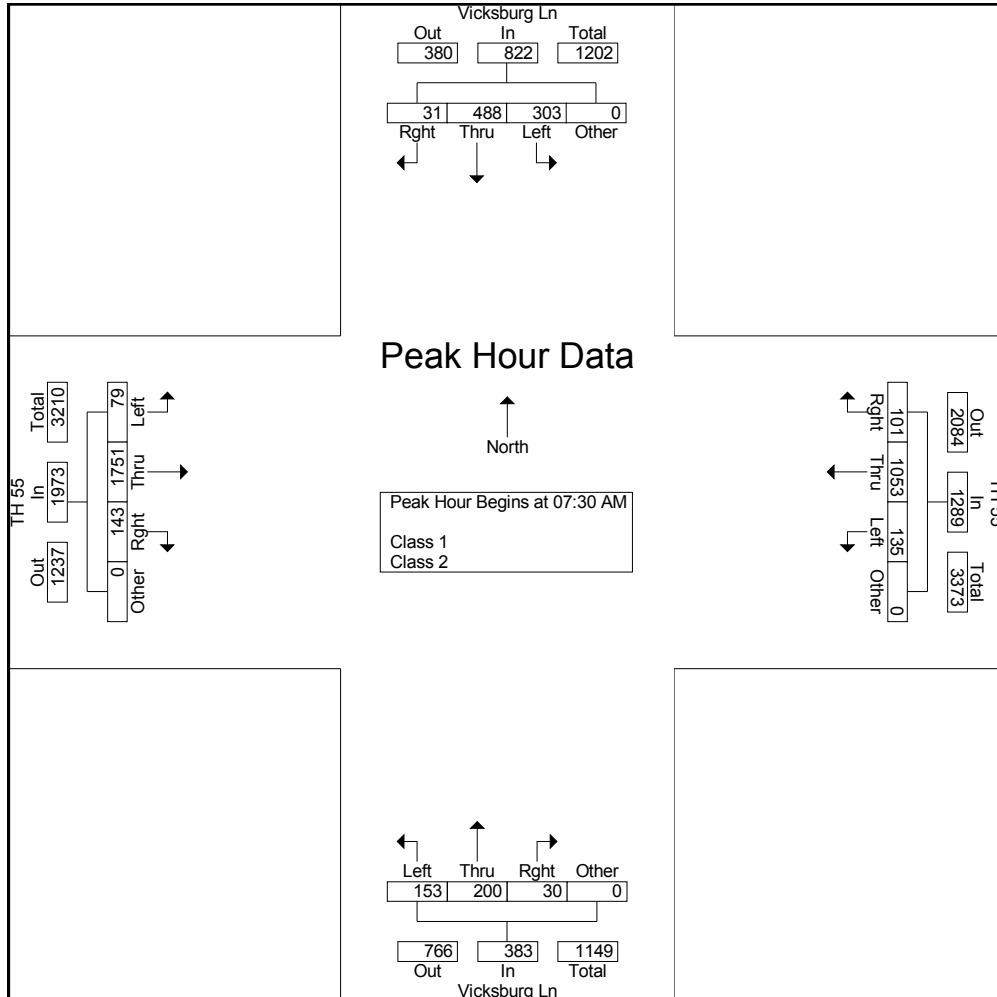
Alliant Engineering, Inc.

233 Park Ave Suite 300
 Minneapolis, MN 55415
 --TRAFFIC DATA--

TH 55 and Vicksburg Lane
 Ref.Pt.: 179.186
 data by : Alliant Inc.
 TURN MOVEMENT COUNT

File Name : 409_TH 55 & Vicksburg Ln
 Site Code : 409_____
 Start Date : 2/1/2018
 Page No : 3

Start Time	Vicksburg Ln From North					TH 55 From East					Vicksburg Ln From South					TH 55 From West					Int. Total
	Other	Right	Thru	Left	App. Total	Other	Right	Thru	Left	App. Total	Other	Right	Thru	Left	App. Total	Other	Right	Thru	Left	App. Total	
Peak Hour Analysis From 06:00 AM to 11:45 AM - Peak 1 of 1																					
Peak Hour for Entire Intersection Begins at 07:30 AM																					
07:30 AM	0	6	124	73	203	0	24	215	38	277	0	11	61	34	106	0	31	467	15	513	1099
07:45 AM	0	9	158	96	263	0	15	256	30	301	0	3	54	44	101	0	39	416	27	482	1147
08:00 AM	0	5	124	66	195	0	23	369	37	429	0	3	38	56	97	0	31	413	16	460	1181
08:15 AM	0	11	82	68	161	0	39	213	30	282	0	13	47	19	79	0	42	455	21	518	1040
Total Volume	0	31	488	303	822	0	101	1053	135	1289	0	30	200	153	383	0	143	1751	79	1973	4467
% App. Total	0	3.8	59.4	36.9		0	7.8	81.7	10.5		0	7.8	52.2	39.9		0	7.2	88.7	4		
PHF	.000	.705	.772	.789	.781	.000	.647	.713	.888	.751	.000	.577	.820	.683	.903	.000	.851	.937	.731	.952	.946



Alliant Engineering, Inc.

233 Park Ave Suite 300

Minneapolis, MN 55415

--TRAFFIC DATA--

TH 55 and Vicksburg Lane

Ref.Pt.: 179.186

data by : Alliant Inc.

TURN MOVEMENT COUNT

File Name : 409_TH 55 & Vicksburg Ln

Site Code : 409_____

Start Date : 2/1/2018

Page No : 4

Start Time	Vicksburg Ln From North					TH 55 From East					Vicksburg Ln From South					TH 55 From West					Int. Total
	Other	Rght	Thru	Left	App. Total	Other	Rght	Thru	Left	App. Total	Other	Rght	Thru	Left	App. Total	Other	Rght	Thru	Left	App. Total	
Peak Hour Analysis From 12:00 PM to 05:45 PM - Peak 1 of 1																					
Peak Hour for Entire Intersection Begins at 04:30 PM																					
04:30 PM	0	76	50	47	173	0	65	385	48	498	0	25	125	81	231	0	26	215	0	241	1143
04:45 PM	0	66	83	38	187	0	70	346	61	477	0	12	122	65	199	0	40	189	0	229	1092
05:00 PM	0	74	114	61	249	0	70	339	54	463	0	16	139	93	248	0	18	192	0	210	1170
05:15 PM	0	93	101	88	282	0	88	271	44	403	0	6	142	81	229	0	40	233	0	273	1187
Total Volume	0	309	348	234	891	0	293	1341	207	1841	0	59	528	320	907	0	124	829	0	953	4592
% App. Total	0	34.7	39.1	26.3		0	15.9	72.8	11.2		0	6.5	58.2	35.3		0	13	87	0		
PHF	.000	.831	.763	.665	.790	.000	.832	.871	.848	.924	.000	.590	.930	.860	.914	.000	.775	.889	.000	.873	.967

