

MN Dept of Transportation

TRAFFIC DATA COLLECTION - Metro

TH-55 at Main Street - Co.Rd.19

Ref.Pt.: 165.330

video JN

TURN MOVEMENT COUNT

File Name : TH-55 at Main St ROCKFORD 2016

Site Code :

Start Date : 1/28/2016

Page No : 1

Groups Printed- Cars +

Start Time	Main St / Co.Rd.19 Southbound				TH-55 Westbound				Main St Northbound				TH-55 Eastbound				Int. Total
	Left	Thru	Right	Peds	Left	Thru	Right	Peds	Left	Thru	Right	Peds	Left	Thru	Right	Peds	
06:00	26	1	1	0	3	19	3	0	1	1	9	0	18	194	0	0	276
06:15	31	0	3	0	3	23	7	0	0	5	19	0	31	260	0	0	382
06:30	36	2	6	0	3	46	5	0	2	7	26	0	35	254	0	0	422
06:45	47	4	11	0	4	25	10	0	1	7	16	0	34	233	0	0	392
Total	140	7	21	0	13	113	25	0	4	20	70	0	118	941	0	0	1472
07:00	35	1	5	0	4	50	12	0	2	6	15	0	33	228	0	0	391
07:15	44	3	3	0	12	79	12	0	1	17	18	1	37	237	1	0	465
07:30	57	5	9	0	5	63	13	0	7	20	17	0	27	249	2	1	475
07:45	59	8	4	0	13	61	6	0	4	9	35	0	19	261	0	0	479
Total	195	17	21	0	34	253	43	0	14	52	85	1	116	975	3	1	1810
08:00	38	2	7	0	8	53	12	0	1	5	11	0	9	193	0	0	339
08:15	27	2	5	0	5	53	7	0	1	3	11	0	15	149	2	0	280
08:30	29	2	5	0	5	54	8	0	0	2	9	0	17	136	0	0	267
08:45	25	1	7	0	7	54	8	0	0	2	13	0	11	143	2	0	273
Total	119	7	24	0	25	214	35	0	2	12	44	0	52	621	4	0	1159
***** BREAK *****																	
11:00	16	1	5	0	8	54	6	0	1	0	4	0	11	72	1	1	180
11:15	17	0	5	0	14	57	8	0	2	1	4	0	6	67	1	0	182
11:30	12	3	3	0	8	56	7	0	3	4	7	0	9	78	1	0	191
11:45	12	2	5	0	2	59	13	0	2	4	9	0	5	61	1	0	175
Total	57	6	18	0	32	226	34	0	8	9	24	0	31	278	4	1	728
12:00	16	4	0	0	3	68	19	0	1	3	8	0	9	77	2	0	210
12:15	9	3	4	0	10	70	14	0	6	2	3	0	10	85	1	0	217
12:30	14	7	9	0	7	77	16	0	1	3	3	0	7	83	0	0	227
12:45	12	3	8	0	15	75	15	0	3	2	4	0	10	71	1	0	219
Total	51	17	21	0	35	290	64	0	11	10	18	0	36	316	4	0	873
***** BREAK *****																	
15:00	16	10	7	0	33	160	28	0	2	4	8	0	8	60	0	0	336
15:15	23	5	9	0	24	174	31	0	2	4	4	0	17	77	1	0	371
15:30	16	9	18	0	23	178	32	0	1	5	5	0	14	78	1	0	380
15:45	20	8	7	0	20	219	29	0	6	7	8	0	20	95	2	0	441
Total	75	32	41	0	100	731	120	0	11	20	25	0	59	310	4	0	1528
16:00	21	6	14	0	33	251	33	0	3	5	5	0	8	76	0	0	455
16:15	14	10	8	0	22	222	40	0	2	6	5	0	12	71	0	0	412
16:30	20	11	13	0	32	254	41	0	5	4	9	0	10	78	2	0	479
16:45	19	5	12	0	35	272	45	0	0	6	11	0	18	89	0	0	512
Total	74	32	47	0	122	999	159	0	10	21	30	0	48	314	2	0	1858
17:00	29	10	8	0	28	273	42	0	6	6	9	0	14	59	2	0	486
17:15	33	8	17	0	34	256	45	0	3	10	10	0	14	89	1	1	521
17:30	27	12	12	0	35	221	37	0	5	8	11	0	17	74	0	0	459
17:45	36	19	15	0	29	212	32	0	1	3	9	0	12	65	0	0	433
Total	125	49	52	0	126	962	156	0	15	27	39	0	57	287	3	1	1899
Grand Total	836	167	245	0	487	3788	636	0	75	171	335	1	517	4042	24	3	11327
Apprch %	67	13.4	19.6	0	9.9	77.1	13	0	12.9	29.4	57.6	0.2	11.3	88.1	0.5	0.1	
Total %	7.4	1.5	2.2	0	4.3	33.4	5.6	0	0.7	1.5	3	0	4.6	35.7	0.2	0	

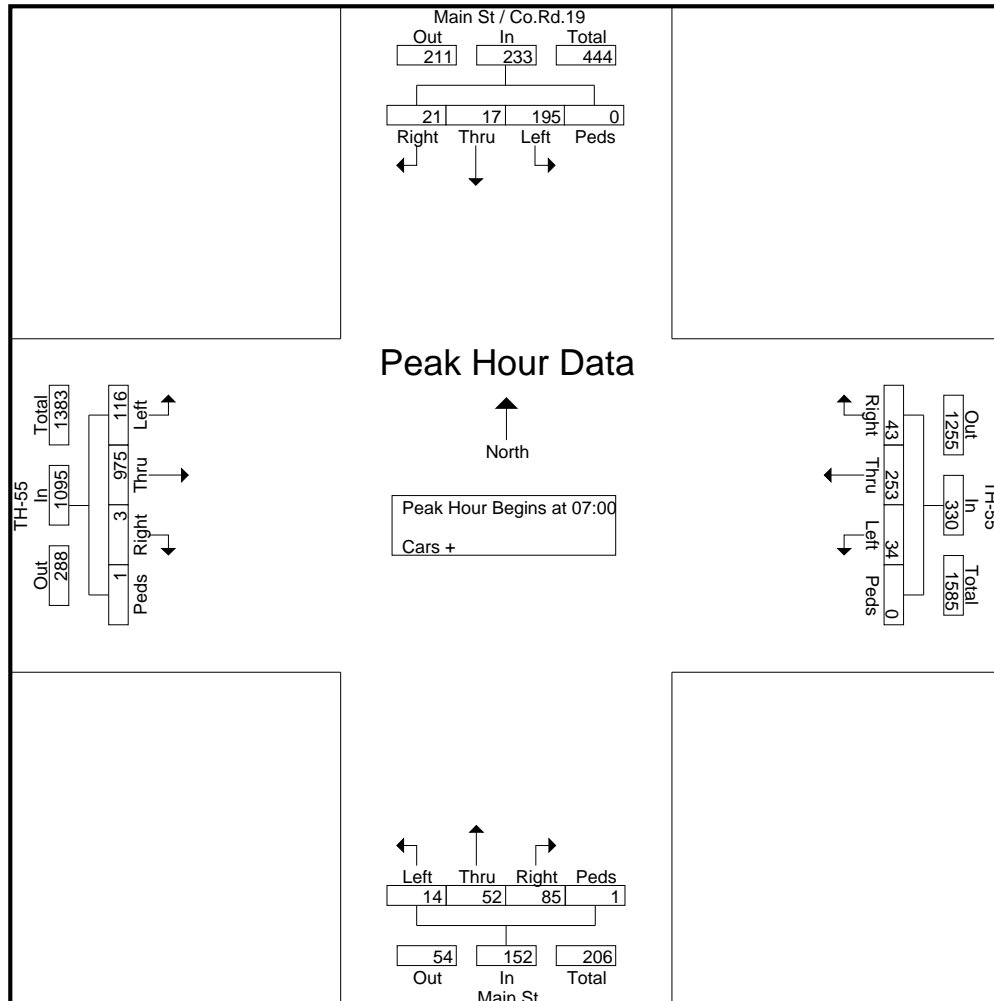
MN Dept of Transportation

TRAFFIC DATA COLLECTION - Metro

TH-55 at Main Street - Co.Rd.19
 Ref.Pt.: 165.330
 video JN
 TURN MOVEMENT COUNT

File Name : TH-55 at Main St ROCKFORD 2016
 Site Code :
 Start Date : 1/28/2016
 Page No : 2

Start Time	Main St / Co.Rd.19 Southbound					TH-55 Westbound					Main St Northbound					TH-55 Eastbound					Int. Total
	Left	Thru	Right	Peds	App. Total	Left	Thru	Right	Peds	App. Total	Left	Thru	Right	Peds	App. Total	Left	Thru	Right	Peds	App. Total	
Peak Hour Analysis From 06:00 to 08:45 - Peak 1 of 1																					
Peak Hour for Entire Intersection Begins at 07:00																					
07:00	35	1	5	0	41	4	50	12	0	66	2	6	15	0	23	33	228	0	0	261	391
07:15	44	3	3	0	50	12	79	12	0	103	1	17	18	1	37	37	237	1	0	275	465
07:30	57	5	9	0	71	5	63	13	0	81	7	20	17	0	44	27	249	2	1	279	475
07:45	59	8	4	0	71	13	61	6	0	80	4	9	35	0	48	19	261	0	0	280	479
Total Volume	195	17	21	0	233	34	253	43	0	330	14	52	85	1	152	116	975	3	1	1095	1810
% App. Total	83.7	7.3	9	0		10.3	76.7	13	0		9.2	34.2	55.9	0.7		10.6	89	0.3	0.1		
PHF	.826	.531	.583	.000	.820	.654	.801	.827	.000	.801	.500	.650	.607	.250	.792	.784	.934	.375	.250	.978	.945



MN Dept of Transportation

TRAFFIC DATA COLLECTION - Metro

TH-55 at Main Street - Co.Rd.19
 Ref.Pt.: 165.330
 video JN
 TURN MOVEMENT COUNT

File Name : TH-55 at Main St ROCKFORD 2016
 Site Code :
 Start Date : 1/28/2016
 Page No : 3

Start Time	Main St / Co.Rd.19 Southbound					TH-55 Westbound					Main St Northbound					TH-55 Eastbound					Int. Total
	Left	Thru	Right	Peds	App. Total	Left	Thru	Right	Peds	App. Total	Left	Thru	Right	Peds	App. Total	Left	Thru	Right	Peds	App. Total	
Peak Hour Analysis From 15:00 to 17:45 - Peak 1 of 1																					
Peak Hour for Entire Intersection Begins at 16:30																					
16:30	20	11	13	0	44	32	254	41	0	327	5	4	9	0	18	10	78	2	0	90	479
16:45	19	5	12	0	36	35	272	45	0	352	0	6	11	0	17	18	89	0	0	107	512
17:00	29	10	8	0	47	28	273	42	0	343	6	6	9	0	21	14	59	2	0	75	486
17:15	33	8	17	0	58	34	256	45	0	335	3	10	10	0	23	14	89	1	1	105	521
Total Volume	101	34	50	0	185	129	1055	173	0	1357	14	26	39	0	79	56	315	5	1	377	1998
% App. Total	54.6	18.4	27	0		9.5	77.7	12.7	0		17.7	32.9	49.4	0		14.9	83.6	1.3	0.3		
PHF	.765	.773	.735	.000	.797	.921	.966	.961	.000	.964	.583	.650	.886	.000	.859	.778	.885	.625	.250	.881	.959

