



701 Xenia Ave S, Suite 300
 Minneapolis, MN 55416

TH 5 & Victoria St
 7-9am & 4-6pm
 vehicles, heavy trucks, bikes, peds
 day 2

File Name : site 26-TH 5 & Victoria St-day 2
 Site Code : 26
 Start Date : 3/23/2022
 Page No : 1

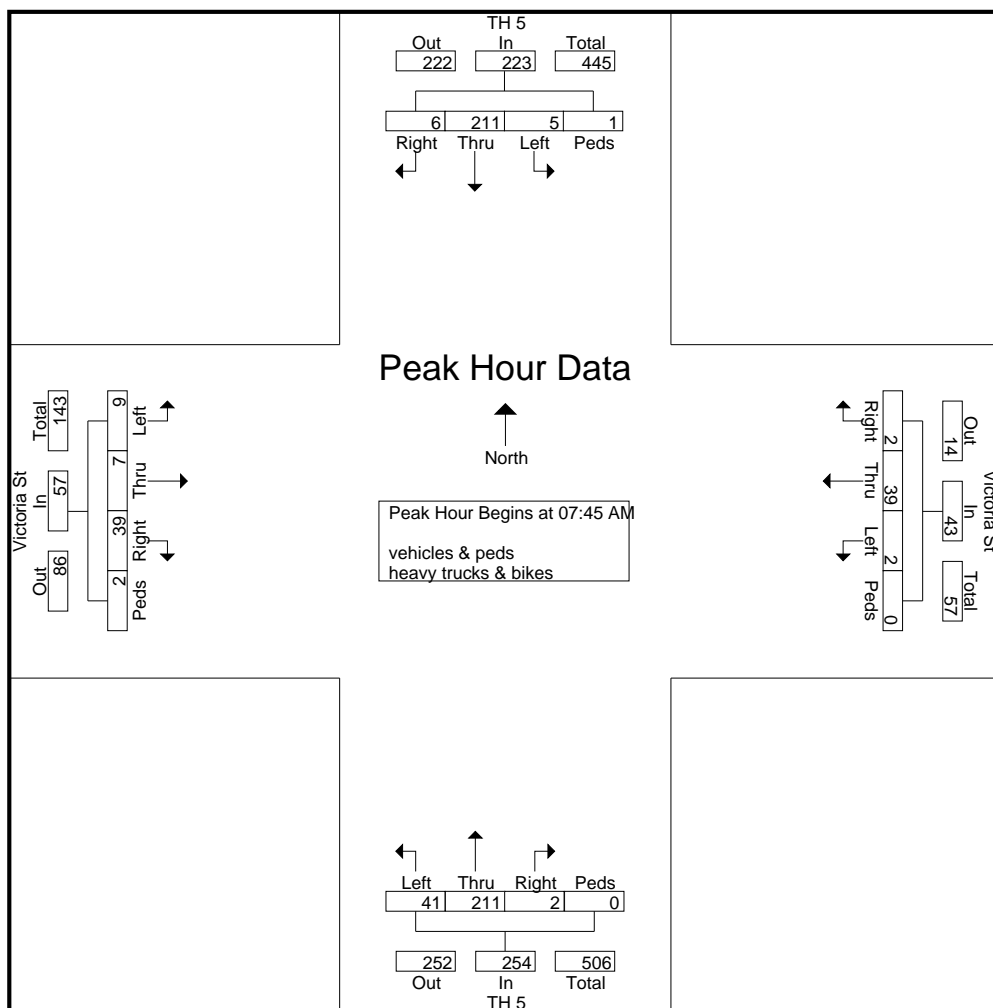
Groups Printed- vehicles & peds - heavy trucks & bikes

Start Time	TH 5 From North					Victoria St From East					TH 5 From South					Victoria St From West					Int. Total
	Right	Thru	Left	bikes	App. Total	Right	Thru	Left	bikes	App. Total	Right	Thru	Left	bikes	App. Total	Right	Thru	Left	bikes	App. Total	
07:00 AM	2	18	0	0	20	0	8	0	1	9	0	40	6	0	46	6	3	0	0	9	84
07:15 AM	2	40	1	0	43	1	12	0	0	13	1	37	5	0	43	8	2	0	0	10	109
07:30 AM	2	40	1	0	43	4	18	1	0	23	0	47	5	0	52	12	2	3	0	17	135
07:45 AM	1	67	1	1	70	1	10	2	0	13	0	56	6	0	62	10	2	3	0	15	160
Total	7	165	3	1	176	6	48	3	1	58	1	180	22	0	203	36	9	6	0	51	488
08:00 AM	1	55	1	0	57	1	14	0	0	15	1	47	9	0	57	10	2	1	2	15	144
08:15 AM	2	43	3	0	48	0	3	0	0	3	0	56	11	0	67	9	2	2	0	13	131
08:30 AM	2	46	0	0	48	0	12	0	0	12	1	52	15	0	68	10	1	3	0	14	142
08:45 AM	3	33	0	0	36	2	7	0	0	9	1	60	15	0	76	11	7	2	0	20	141
Total	8	177	4	0	189	3	36	0	0	39	3	215	50	0	268	40	12	8	2	62	558
04:00 PM	4	66	4	0	74	3	3	0	0	6	2	70	21	0	93	18	16	3	0	37	210
04:15 PM	4	76	2	1	83	1	5	1	0	7	0	90	11	0	101	13	8	0	0	21	212
04:30 PM	3	72	7	0	82	3	7	0	0	10	0	83	16	0	99	18	10	3	0	31	222
04:45 PM	8	85	3	1	97	3	9	1	0	13	1	86	15	1	103	17	7	3	0	27	240
Total	19	299	16	2	336	10	24	2	0	36	3	329	63	1	396	66	41	9	0	116	884
05:00 PM	8	76	2	2	88	2	7	0	0	9	0	99	24	0	123	19	7	3	5	34	254
05:15 PM	1	80	4	2	87	2	10	1	1	14	2	87	26	0	115	15	11	3	3	32	248
05:30 PM	4	61	0	2	67	5	8	1	0	14	0	97	23	0	120	19	12	3	1	35	236
05:45 PM	5	52	1	6	64	4	11	0	1	16	2	94	21	2	119	14	9	5	2	30	229
Total	18	269	7	12	306	13	36	2	2	53	4	377	94	2	477	67	39	14	11	131	967
Grand Total	52	910	30	15	1007	32	144	7	3	186	11	1101	229	3	1344	209	101	37	13	360	2897
Apprch %	5.2	90.4	3	1.5		17.2	77.4	3.8	1.6		0.8	81.9	17	0.2		58.1	28.1	10.3	3.6		
Total %	1.8	31.4	1	0.5	34.8	1.1	5	0.2	0.1	6.4	0.4	38	7.9	0.1	46.4	7.2	3.5	1.3	0.4	12.4	
vehicles & peds	52	905	30	15	1002	32	144	7	3	186	11	1094	229	3	1337	209	101	37	13	360	2885
% vehicles & peds	100	99.5	100	100	99.5	100	100	100	100	100	100	99.4	100	100	99.5	100	100	100	100	100	99.6
heavy trucks & bikes	0	5	0	0	5	0	0	0	0	0	0	7	0	0	7	0	0	0	0	0	12
% heavy trucks & bikes	0	0.5	0	0	0.5	0	0	0	0	0	0	0.6	0	0	0.5	0	0	0	0	0	0.4

TH 5 & Victoria St
 7-9am & 4-6pm
 vehicles, heavy trucks, bikes, peds
 day 2

File Name : site 26-TH 5 & Victoria St-day 2
 Site Code : 26
 Start Date : 3/23/2022
 Page No : 2

Start Time	TH 5 From North					Victoria St From East					TH 5 From South					Victoria St From West					Int. Total
	Rig ht	Thr u	Left	bike s	App. Total	Rig ht	Thr u	Left	bike s	App. Total	Rig ht	Thr u	Left	bike s	App. Total	Rig ht	Thr u	Left	bike s	App. Total	
Peak Hour Analysis From 07:00 AM to 11:45 AM - Peak 1 of 1																					
Peak Hour for Entire Intersection Begins at 07:45 AM																					
07:45 AM	1	67	1	1	70	1	10	2	0	13	0	56	6	0	62	10	2	3	0	15	160
08:00 AM	1	55	1	0	57	1	14	0	0	15	1	47	9	0	57	10	2	1	2	15	144
08:15 AM	2	43	3	0	48	0	3	0	0	3	0	56	11	0	67	9	2	2	0	13	131
08:30 AM	2	46	0	0	48	0	12	0	0	12	1	52	15	0	68	10	1	3	0	14	142
Total Volume	6	211	5	1	223	2	39	2	0	43	2	211	41	0	254	39	7	9	2	57	577
% App. Total	2.7	94.6	2.2	0.4		4.7	90.7	4.7	0		0.8	83.1	16.1	0		68.4	12.3	15.8	3.5		
PHF	.750	.787	.417	.250	.796	.500	.696	.250	.000	.717	.500	.942	.683	.000	.934	.975	.875	.750	.250	.950	.902



TH 5 & Victoria St
7-9am & 4-6pm
vehicles, heavy trucks, bikes, peds
day 2

File Name : site 26-TH 5 & Victoria St-day 2
Site Code : 26
Start Date : 3/23/2022
Page No : 3

Start Time	TH 5 From North					Victoria St From East					TH 5 From South					Victoria St From West					Int. Total
	Rig ht	Thr u	Left	bike s	App. Total	Rig ht	Thr u	Left	bike s	App. Total	Right	Thr u	Left	bikes	App. Total	Right	Thr u	Left	bikes	App. Total	
Peak Hour Analysis From 12:00 PM to 05:45 PM - Peak 1 of 1																					
Peak Hour for Entire Intersection Begins at 04:45 PM																					
04:45 PM	8	85	3	1	97	3	9	1	0	13	1	86	15	1	103	17	7	3	0	27	240
05:00 PM	8	76	2	2	88	2	7	0	0	9	0	99	24	0	123	19	7	3	5	34	254
05:15 PM	1	80	4	2	87	2	10	1	1	14	2	87	26	0	115	15	11	3	3	32	248
05:30 PM	4	61	0	2	67	5	8	1	0	14	0	97	23	0	120	19	12	3	1	35	236
Total Volume	21	302	9	7	339	12	34	3	1	50	3	369	88	1	461	70	37	12	9	128	978
% App. Total	6.2	89.1	2.7	2.1		24	68	6	2		0.7	80	19.1	0.2		54.7	28.9	9.4	7		
PHF	.656	.888	.563	.875	.874	.600	.850	.750	.250	.893	.375	.932	.846	.250	.937	.921	.771	1.00	.450	.914	.963

