



701 Xenia Ave S, Suite 300  
 Minneapolis, MN 55416

TH 5 & Otto Ave  
 7-9am & 4-6pm  
 vehicles, heavy trucks, peds  
 day 2

File Name : site 23-TH 5 & Otto Ave-day 2  
 Site Code : 23  
 Start Date : 3/31/2022  
 Page No : 1

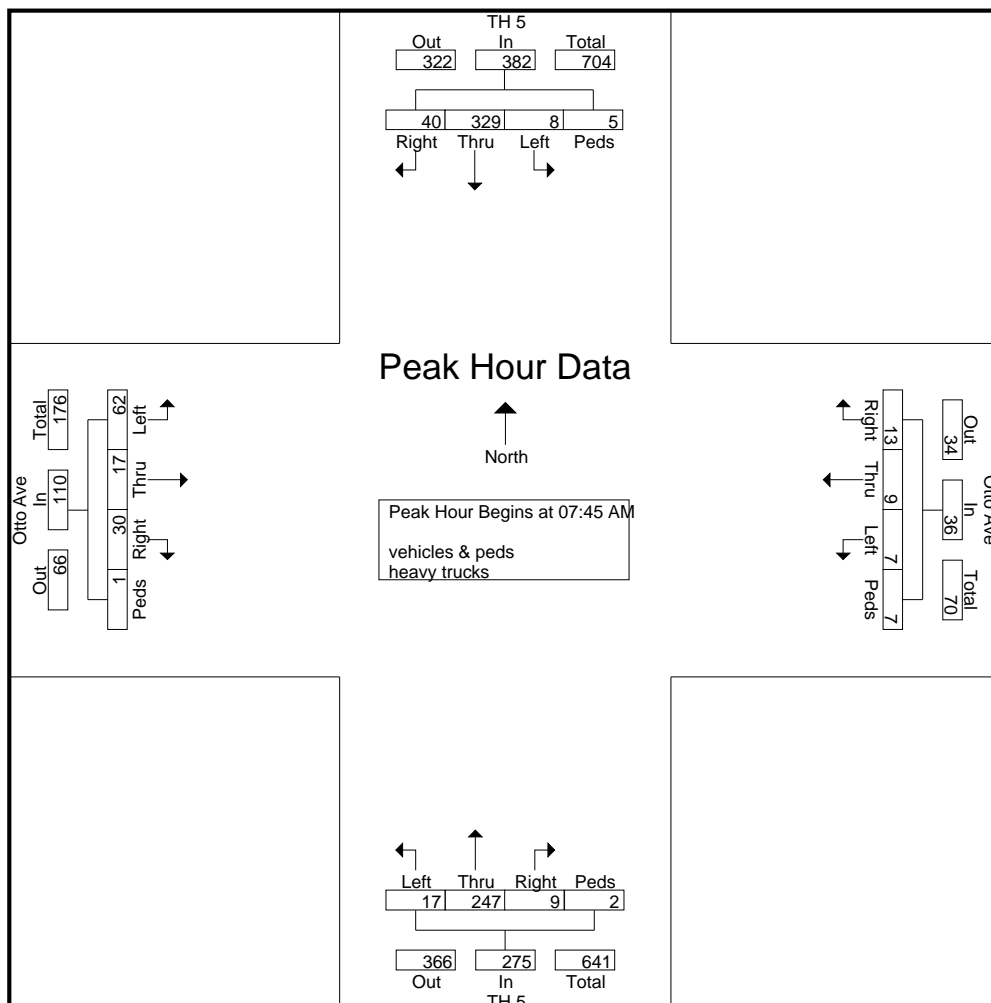
Groups Printed- vehicles & peds - heavy trucks

Start Time	TH 5 From North					Otto Ave From East					TH 5 From South					Otto Ave From West					Int. Total
	Right	Thru	Left	Peds	App. Total	Right	Thru	Left	Peds	App. Total	Right	Thru	Left	Peds	App. Total	Right	Thru	Left	Peds	App. Total	
07:00 AM	4	46	0	0	50	3	0	0	0	3	2	37	1	0	40	7	0	3	0	10	103
07:15 AM	3	41	2	0	46	3	0	0	1	4	1	40	0	1	42	4	2	5	1	12	104
07:30 AM	9	50	3	0	62	4	1	0	0	5	5	44	4	1	54	4	1	2	0	7	128
07:45 AM	2	80	3	1	86	4	3	0	0	7	2	58	3	1	64	1	3	7	0	11	168
Total	18	217	8	1	244	14	4	0	1	19	10	179	8	3	200	16	6	17	1	40	503
08:00 AM	9	65	2	2	78	2	0	2	4	8	3	66	2	1	72	1	3	8	0	12	170
08:15 AM	21	94	1	2	118	1	6	4	3	14	3	64	5	0	72	15	6	23	1	45	249
08:30 AM	8	90	2	0	100	6	0	1	0	7	1	59	7	0	67	13	5	24	0	42	216
08:45 AM	4	59	3	1	67	5	2	0	0	7	0	48	1	0	49	4	1	4	1	10	133
Total	42	308	8	5	363	14	8	7	7	36	7	237	15	1	260	33	15	59	2	109	768
04:00 PM	13	115	11	0	139	8	3	0	0	11	5	99	3	0	107	10	4	15	1	30	287
04:15 PM	19	115	3	3	140	7	3	2	0	12	8	69	5	1	83	8	3	8	1	20	255
04:30 PM	7	115	4	0	126	9	1	2	0	12	3	105	6	1	115	7	5	6	2	20	273
04:45 PM	13	106	4	2	125	4	3	1	2	10	1	96	7	1	105	10	2	3	2	17	257
Total	52	451	22	5	530	28	10	5	2	45	17	369	21	3	410	35	14	32	6	87	1072
05:00 PM	12	125	3	5	145	3	3	0	2	8	3	85	4	0	92	6	2	2	1	11	256
05:15 PM	11	122	6	0	139	4	0	1	0	5	4	77	11	0	92	5	1	4	0	10	246
05:30 PM	14	108	5	0	127	2	4	1	0	7	3	59	6	3	71	7	3	5	2	17	222
05:45 PM	16	121	4	0	141	1	1	3	1	6	5	61	3	0	69	11	1	1	2	15	231
Total	53	476	18	5	552	10	8	5	3	26	15	282	24	3	324	29	7	12	5	53	955
Grand Total	165	1452	56	16	1689	66	30	17	13	126	49	1067	68	10	1194	113	42	120	14	289	3298
Apprch %	9.8	86	3.3	0.9		52.4	23.8	13.5	10.3		4.1	89.4	5.7	0.8		39.1	14.5	41.5	4.8		
Total %	5	44	1.7	0.5	51.2	2	0.9	0.5	0.4	3.8	1.5	32.4	2.1	0.3	36.2	3.4	1.3	3.6	0.4	8.8	
vehicles & peds	165	1445	56	16	1682	66	29	17	13	125	49	1064	68	10	1191	113	42	120	14	289	3287
% vehicles & peds	100	99.5	100	100	99.6	100	96.7	100	100	99.2	100	99.7	100	100	99.7	100	100	100	100	100	99.7
heavy trucks	0	7	0	0	7	0	1	0	0	1	0	3	0	0	3	0	0	0	0	0	11
% heavy trucks	0	0.5	0	0	0.4	0	3.3	0	0	0.8	0	0.3	0	0	0.3	0	0	0	0	0	0.3

TH 5 & Otto Ave  
 7-9am & 4-6pm  
 vehicles, heavy trucks, peds  
 day 2

File Name : site 23-TH 5 & Otto Ave-day 2  
 Site Code : 23  
 Start Date : 3/31/2022  
 Page No : 2

Start Time	TH 5 From North					Otto Ave From East					TH 5 From South					Otto Ave From West					Int. Total
	Right	Thru	Left	Peds	App. Total	Right	Thru	Left	Peds	App. Total	Right	Thru	Left	Peds	App. Total	Right	Thru	Left	Peds	App. Total	
Peak Hour Analysis From 12:00 AM to 11:45 AM - Peak 1 of 1																					
Peak Hour for Entire Intersection Begins at 07:45 AM																					
07:45 AM	2	80	3	1	86	4	3	0	0	7	2	58	3	1	64	1	3	7	0	11	168
08:00 AM	9	65	2	2	78	2	0	2	4	8	3	66	2	1	72	1	3	8	0	12	170
08:15 AM	21	94	1	2	118	1	6	4	3	14	3	64	5	0	72	15	6	23	1	45	249
08:30 AM	8	90	2	0	100	6	0	1	0	7	1	59	7	0	67	13	5	24	0	42	216
Total Volume	40	329	8	5	382	13	9	7	7	36	9	247	17	2	275	30	17	62	1	110	803
% App. Total	10.5	86.1	2.1	1.3		36.1	25	19.4	19.4		3.3	89.8	6.2	0.7		27.3	15.5	56.4	0.9		
PHF	.476	.875	.667	.625	.809	.542	.375	.438	.438	.643	.750	.936	.607	.500	.955	.500	.708	.646	.250	.611	.806





701 Xenia Ave S, Suite 300  
 Minneapolis, MN 55416

TH 5 & Otto Ave  
 7-9am & 4-6pm  
 vehicles, heavy trucks, peds  
 day 2

File Name : site 23-TH 5 & Otto Ave-day 2  
 Site Code : 23  
 Start Date : 3/31/2022  
 Page No : 3

Start Time	TH 5 From North					Otto Ave From East					TH 5 From South					Otto Ave From West					Int. Total
	Rig ht	Thr u	Left	Ped s	App. Total	Rig ht	Thr u	Left	Ped s	App. Total	Right	Thr u	Left	Peds	App. Total	Right	Thr u	Left	Peds	App. Total	
Peak Hour Analysis From 12:00 PM to 12:00 AM - Peak 1 of 1																					
Peak Hour for Entire Intersection Begins at 04:00 PM																					
04:00 PM	13	115	11	0	139	8	3	0	0	11	5	99	3	0	107	10	4	15	1	30	287
04:15 PM	19	115	3	3	140	7	3	2	0	12	8	69	5	1	83	8	3	8	1	20	255
04:30 PM	7	115	4	0	126	9	1	2	0	12	3	105	6	1	115	7	5	6	2	20	273
04:45 PM	13	106	4	2	125	4	3	1	2	10	1	96	7	1	105	10	2	3	2	17	257
Total Volume	52	451	22	5	530	28	10	5	2	45	17	369	21	3	410	35	14	32	6	87	1072
% App. Total	9.8	85.1	4.2	0.9		62.2	22.2	11.1	4.4		4.1	90	5.1	0.7		40.2	16.1	36.8	6.9		
PHF	.684	.980	.500	.417	.946	.778	.833	.625	.250	.938	.531	.879	.750	.750	.891	.875	.700	.533	.750	.725	.934

