



701 Xenia Ave S, Suite 300
 Minneapolis, MN 55416

TH 5 & Madison St
 7-9am & 4-6pm
 vehicles, heavy trucks, bikes, peds
 day 2

File Name : site 7-TH 5 & Madison St-day 2
 Site Code : 7
 Start Date : 3/23/2022
 Page No : 1

Groups Printed- vehicles & peds - heavy trucks & bikes

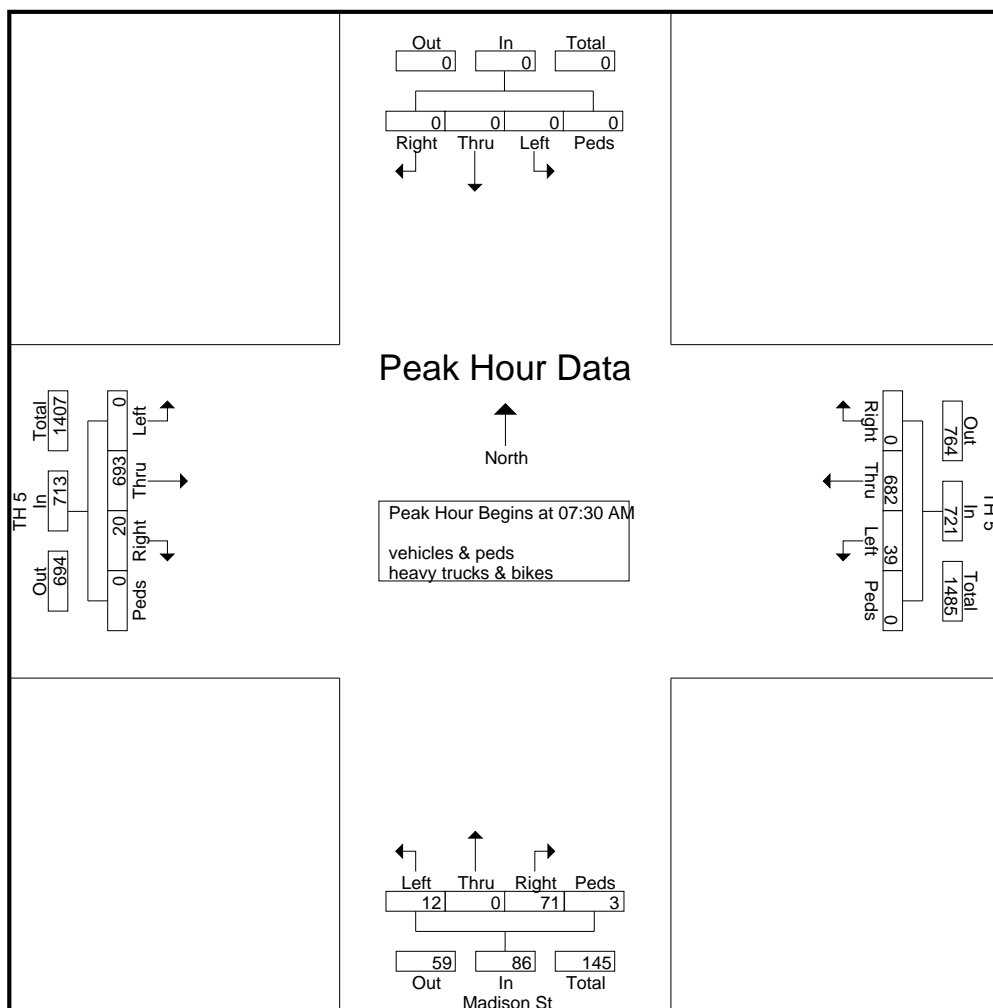
Start Time	From North					TH 5 From East					Madison St From South					TH 5 From West					Int. Total
	Right	Thru	Left	bikes	App. Total	Right	Thru	Left	bikes	App. Total	Right	Thru	Left	bikes	App. Total	Right	Thru	Left	bikes	App. Total	
07:00 AM	0	0	0	0	0	0	125	8	0	133	17	0	3	0	20	5	131	0	0	136	289
07:15 AM	0	0	0	0	0	0	184	5	0	189	13	0	0	0	13	6	144	0	0	150	352
07:30 AM	0	0	0	0	0	0	171	12	0	183	15	0	2	1	18	6	165	0	0	171	372
07:45 AM	0	0	0	0	0	0	181	9	0	190	13	0	3	0	16	4	211	0	0	215	421
Total	0	0	0	0	0	0	661	34	0	695	58	0	8	1	67	21	651	0	0	672	1434
08:00 AM	0	0	0	0	0	0	153	7	0	160	25	0	1	1	27	3	156	0	0	159	346
08:15 AM	0	0	0	0	0	0	177	11	0	188	18	0	6	1	25	7	161	0	0	168	381
08:30 AM	0	0	0	0	0	0	172	7	0	179	15	0	2	0	17	2	170	0	0	172	368
08:45 AM	0	0	2	0	2	0	159	7	0	166	16	0	5	0	21	4	159	0	0	163	352
Total	0	0	2	0	2	0	661	32	0	693	74	0	14	2	90	16	646	0	0	662	1447
04:00 PM	0	0	0	0	0	0	183	18	0	201	14	0	1	0	15	10	198	0	0	208	424
04:15 PM	0	0	0	0	0	0	225	15	0	240	5	0	1	1	7	14	213	0	0	227	474
04:30 PM	0	0	0	0	0	0	237	18	0	255	10	0	3	4	17	15	202	0	0	217	489
04:45 PM	0	0	0	0	0	0	196	10	0	206	8	0	4	2	14	7	221	0	0	228	448
Total	0	0	0	0	0	0	841	61	0	902	37	0	9	7	53	46	834	0	0	880	1835
05:00 PM	0	0	0	0	0	0	212	14	0	226	10	0	4	1	15	16	227	0	0	243	484
05:15 PM	0	0	0	0	0	0	203	10	0	213	13	0	6	0	19	11	266	0	0	277	509
05:30 PM	0	0	0	0	0	0	169	15	0	184	11	0	4	2	17	11	273	0	0	284	485
05:45 PM	0	0	0	0	0	0	178	11	0	189	7	0	3	0	10	8	236	0	0	244	443
Total	0	0	0	0	0	0	762	50	0	812	41	0	17	3	61	46	1002	0	0	1048	1921
Grand Total	0	0	2	0	2	0	2925	177	0	3102	210	0	48	13	271	129	3133	0	0	3262	6637
Apprch %	0	0	100	0		0	94.3	5.7	0		77.5	0	17.7	4.8		4	96	0	0		
Total %	0	0	0	0	0	0	44.1	2.7	0	46.7	3.2	0	0.7	0.2	4.1	1.9	47.2	0	0	49.1	
vehicles & peds	0	0	2	0	2	0	2918	177	0	3095	210	0	48	11	269	129	3125	0	0	3254	6620
% vehicles & peds	0	0	100	0	100	0	99.8	100	0	99.8	100	0	100	84.6	99.3	100	99.7	0	0	99.8	99.7
heavy trucks & bikes	0	0	0	0	0	0	7	0	0	7	0	0	0	2	2	0	8	0	0	8	17
% heavy trucks & bikes	0	0	0	0	0	0	0.2	0	0	0.2	0	0	0	15.4	0.7	0	0.3	0	0	0.2	0.3

TH 5 & Madison St
7-9am & 4-6pm
vehicles, heavy trucks, bikes, peds
day 2

File Name : site 7-TH 5 & Madison St-day 2
Site Code : 7
Start Date : 3/23/2022
Page No : 2

Start Time	From North					TH 5 From East					Madison St From South					TH 5 From West					Int. Total
	Rig ht	Thr u	Left	bike s	App. Total	Rig ht	Thr u	Left	bike s	App. Total	Rig ht	Thr u	Left	bike s	App. Total	Rig ht	Thr u	Left	bike s	App. Total	
07:30 AM	0	0	0	0	0	0	171	12	0	183	15	0	2	1	18	6	165	0	0	171	372
07:45 AM	0	0	0	0	0	0	181	9	0	190	13	0	3	0	16	4	211	0	0	215	421
08:00 AM	0	0	0	0	0	0	153	7	0	160	25	0	1	1	27	3	156	0	0	159	346
08:15 AM	0	0	0	0	0	0	177	11	0	188	18	0	6	1	25	7	161	0	0	168	381
Total Volume	0	0	0	0	0	0	682	39	0	721	71	0	12	3	86	20	693	0	0	713	1520
% App. Total	0	0	0	0	0	0	94.6	5.4	0		82.6	0	14	3.5		2.8	97.2	0	0		
PHF	.000	.000	.000	.000	.000	.000	.942	.813	.000	.949	.710	.000	.500	.750	.796	.714	.821	.000	.000	.829	.903

Peak Hour Analysis From 07:00 AM to 11:45 AM - Peak 1 of 1
Peak Hour for Entire Intersection Begins at 07:30 AM





701 Xenia Ave S, Suite 300
 Minneapolis, MN 55416

TH 5 & Madison St
 7-9am & 4-6pm
 vehicles, heavy trucks, bikes, peds
 day 2

File Name : site 7-TH 5 & Madison St-day 2
 Site Code : 7
 Start Date : 3/23/2022
 Page No : 3

Start Time	From North					TH 5 From East					Madison St From South					TH 5 From West					Int. Total
	Rig ht	Thr u	Left	bike s	App. Total	Rig ht	Thr u	Left	bike s	App. Total	Right	Thr u	Left	bikes	App. Total	Right	Thr u	Left	bikes	App. Total	
Peak Hour Analysis From 12:00 PM to 05:45 PM - Peak 1 of 1																					
Peak Hour for Entire Intersection Begins at 04:30 PM																					
04:30 PM	0	0	0	0	0	0	237	18	0	255	10	0	3	4	17	15	202	0	0	217	489
04:45 PM	0	0	0	0	0	0	196	10	0	206	8	0	4	2	14	7	221	0	0	228	448
05:00 PM	0	0	0	0	0	0	212	14	0	226	10	0	4	1	15	16	227	0	0	243	484
05:15 PM	0	0	0	0	0	0	203	10	0	213	13	0	6	0	19	11	266	0	0	277	509
Total Volume	0	0	0	0	0	0	848	52	0	900	41	0	17	7	65	49	916	0	0	965	1930
% App. Total	0	0	0	0	0	0	94.2	5.8	0		63.1	0	26.2	10.8		5.1	94.9	0	0		
PHF	.000	.000	.000	.000	.000	.000	.895	.722	.000	.882	.788	.000	.708	.438	.855	.766	.861	.000	.000	.871	.948

