



701 Xenia Ave S, Suite 300
 Minneapolis, MN 55416

TH 5 & Davern St
 7-9am & 4-6pm
 vehicles, heavy trucks, peds
 day 2

File Name : site 3-TH 5 & Davern St-day 2
 Site Code : 3
 Start Date : 3/31/2022
 Page No : 1

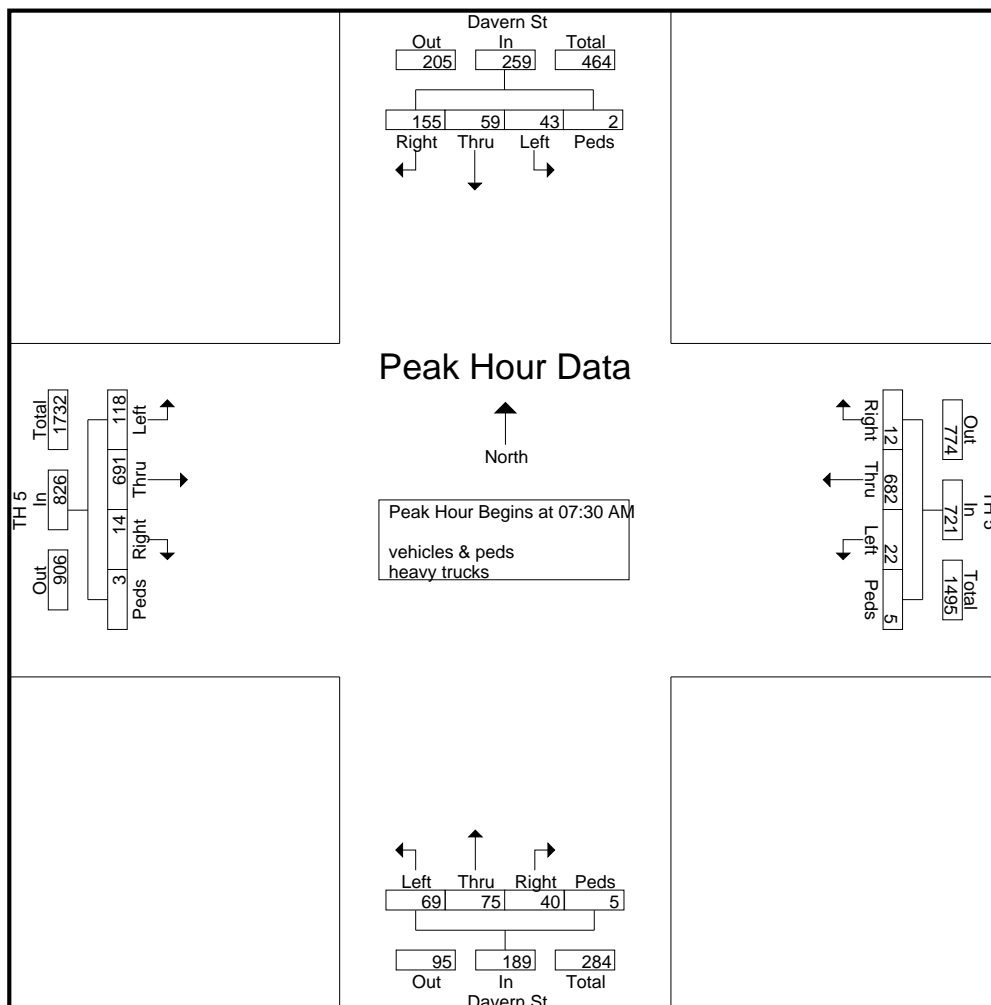
Groups Printed- vehicles & peds - heavy trucks

Start Time	Davern St From North					TH 5 From East					Davern St From South					TH 5 From West					Int. Total
	Right	Thru	Left	Peds	App. Total	Right	Thru	Left	Peds	App. Total	Right	Thru	Left	Peds	App. Total	Right	Thru	Left	Peds	App. Total	
07:00 AM	34	9	6	0	49	2	127	2	1	132	9	13	9	1	32	6	115	11	0	132	345
07:15 AM	41	12	8	0	61	2	134	1	0	137	9	13	17	1	40	1	114	20	0	135	373
07:30 AM	45	11	9	0	65	2	173	4	1	180	9	22	23	0	54	2	155	22	0	179	478
07:45 AM	36	18	7	0	61	2	199	10	3	214	13	17	23	0	53	2	175	29	0	206	534
Total	156	50	30	0	236	8	633	17	5	663	40	65	72	2	179	11	559	82	0	652	1730
08:00 AM	35	11	10	1	57	5	141	4	1	151	9	19	11	4	43	4	172	39	2	217	468
08:15 AM	39	19	17	1	76	3	169	4	0	176	9	17	12	1	39	6	189	28	1	224	515
08:30 AM	43	14	11	0	68	4	155	3	0	162	10	13	13	0	36	3	153	25	1	182	448
08:45 AM	37	13	17	1	68	2	141	10	0	153	16	11	9	0	36	6	137	26	1	170	427
Total	154	57	55	3	269	14	606	21	1	642	44	60	45	5	154	19	651	118	5	793	1858
04:00 PM	41	33	5	1	80	4	177	8	0	189	11	16	16	0	43	8	208	39	1	256	568
04:15 PM	48	18	11	3	80	5	168	11	1	185	24	17	19	2	62	16	215	33	7	271	598
04:30 PM	41	19	11	8	79	3	191	14	0	208	12	22	23	2	59	11	210	43	29	293	639
04:45 PM	40	22	10	3	75	5	169	17	0	191	12	21	19	0	52	8	225	41	4	278	596
Total	170	92	37	15	314	17	705	50	1	773	59	76	77	4	216	43	858	156	41	1098	2401
05:00 PM	36	26	10	2	74	5	182	11	3	201	13	21	23	5	62	8	257	39	1	305	642
05:15 PM	31	23	11	0	65	4	182	20	5	211	18	22	19	0	59	8	225	47	0	280	615
05:30 PM	37	16	12	1	66	2	151	12	3	168	12	23	21	2	58	11	207	47	1	266	558
05:45 PM	34	20	10	0	64	6	163	17	1	187	12	23	11	1	47	9	196	36	2	243	541
Total	138	85	43	3	269	17	678	60	12	767	55	89	74	8	226	36	885	169	4	1094	2356
Grand Total	618	284	165	21	1088	56	2622	148	19	2845	198	290	268	19	775	109	2953	525	50	3637	8345
Apprch %	56.8	26.1	15.2	1.9		2	92.2	5.2	0.7		25.5	37.4	34.6	2.5		3	81.2	14.4	1.4		
Total %	7.4	3.4	2	0.3	13	0.7	31.4	1.8	0.2	34.1	2.4	3.5	3.2	0.2	9.3	1.3	35.4	6.3	0.6	43.6	
vehicles & peds	617	284	165	21	1087	56	2613	148	19	2836	197	290	268	19	774	108	2940	525	50	3623	8320
% vehicles & peds	99.8	100	100	100	99.9	100	99.7	100	100	99.7	99.5	100	100	100	99.9	99.1	99.6	100	100	99.6	99.7
heavy trucks	1	0	0	0	1	0	9	0	0	9	1	0	0	0	1	1	13	0	0	14	25
% heavy trucks	0.2	0	0	0	0.1	0	0.3	0	0	0.3	0.5	0	0	0	0.1	0.9	0.4	0	0	0.4	0.3

TH 5 & Davern St
7-9am & 4-6pm
vehicles, heavy trucks, peds
day 2

File Name : site 3-TH 5 & Davern St-day 2
Site Code : 3
Start Date : 3/31/2022
Page No : 2

Start Time	Davern St From North					TH 5 From East					Davern St From South					TH 5 From West					Int. Total
	Right	Thru	Left	Peds	App. Total	Right	Thru	Left	Peds	App. Total	Right	Thru	Left	Peds	App. Total	Right	Thru	Left	Peds	App. Total	
Peak Hour Analysis From 07:00 AM to 11:45 AM - Peak 1 of 1																					
Peak Hour for Entire Intersection Begins at 07:30 AM																					
07:30 AM	45	11	9	0	65	2	173	4	1	180	9	22	23	0	54	2	155	22	0	179	478
07:45 AM	36	18	7	0	61	2	199	10	3	214	13	17	23	0	53	2	175	29	0	206	534
08:00 AM	35	11	10	1	57	5	141	4	1	151	9	19	11	4	43	4	172	39	2	217	468
08:15 AM	39	19	17	1	76	3	169	4	0	176	9	17	12	1	39	6	189	28	1	224	515
Total Volume	155	59	43	2	259	12	682	22	5	721	40	75	69	5	189	14	691	118	3	826	1995
% App. Total	59.8	22.8	16.6	0.8		1.7	94.6	3.1	0.7		21.2	39.7	36.5	2.6		1.7	83.7	14.3	0.4		
PHF	.861	.776	.632	.500	.852	.600	.857	.550	.417	.842	.769	.852	.750	.313	.875	.583	.914	.756	.375	.922	.934





701 Xenia Ave S, Suite 300
 Minneapolis, MN 55416

TH 5 & Davern St
 7-9am & 4-6pm
 vehicles, heavy trucks, peds
 day 2

File Name : site 3-TH 5 & Davern St-day 2
 Site Code : 3
 Start Date : 3/31/2022
 Page No : 3

Start Time	Davern St From North					TH 5 From East					Davern St From South					TH 5 From West					Int. Total
	Rig ht	Thr u	Left	Ped s	App. Total	Rig ht	Thr u	Left	Ped s	App. Total	Right	Thr u	Left	Peds	App. Total	Right	Thr u	Left	Peds	App. Total	
Peak Hour Analysis From 12:00 PM to 05:45 PM - Peak 1 of 1																					
Peak Hour for Entire Intersection Begins at 04:30 PM																					
04:30 PM	41	19	11	8	79	3	191	14	0	208	12	22	23	2	59	11	210	43	29	293	639
04:45 PM	40	22	10	3	75	5	169	17	0	191	12	21	19	0	52	8	225	41	4	278	596
05:00 PM	36	26	10	2	74	5	182	11	3	201	13	21	23	5	62	8	257	39	1	305	642
05:15 PM	31	23	11	0	65	4	182	20	5	211	18	22	19	0	59	8	225	47	0	280	615
Total Volume	148	90	42	13	293	17	724	62	8	811	55	86	84	7	232	35	917	170	34	1156	2492
% App. Total	50.5	30.7	14.3	4.4		2.1	89.3	7.6	1		23.7	37.1	36.2	3		3	79.3	14.7	2.9		
PHF	.902	.865	.955	.406	.927	.850	.948	.775	.400	.961	.764	.977	.913	.350	.935	.795	.892	.904	.293	.948	.970

