

726 TH 5 and Fuller Road  
Ref.Pt: 48.249  
data by: Alliant Inc  
TURN MOVEMENT COUNT

File Name : 726\_TH 5 and Fuller Road  
Site Code : 00000726  
Start Date : 10/16/2018  
Page No : 1

Groups Printed- Class 1 - Class 2

Start Time	Fuller Road Southbound					TH 5 Westbound					Fuller Road Northbound					TH 5 Eastbound					Int. Total
	Peds	Right	Thru	Left	App. Total	Peds	Right	Thru	Left	App. Total	Peds	Right	Thru	Left	App. Total	Peds	Right	Thru	Left	App. Total	
06:00 AM	0	0	0	0	0	0	0	103	5	108	0	9	0	1	10	0	3	247	4	254	372
06:15 AM	0	1	1	0	2	0	1	159	17	177	1	3	0	1	5	0	9	341	4	354	538
06:30 AM	0	3	1	0	4	0	3	194	17	214	0	4	2	2	8	0	12	450	5	467	693
06:45 AM	0	4	0	1	5	0	0	255	30	285	0	4	0	2	6	0	12	546	3	561	857
Total	0	8	2	1	11	0	4	711	69	784	1	20	2	6	29	0	36	1584	16	1636	2460
07:00 AM	1	9	0	0	10	0	1	225	17	243	0	3	1	1	5	0	11	589	8	608	866
07:15 AM	0	2	1	1	4	0	0	302	28	330	0	1	0	2	3	0	10	630	8	648	985
07:30 AM	1	2	1	0	4	0	4	298	19	321	0	2	0	0	2	1	11	637	10	659	986
07:45 AM	0	7	1	1	9	0	1	370	16	387	0	0	1	2	3	0	16	674	7	697	1096
Total	2	20	3	2	27	0	6	1195	80	1281	0	6	2	5	13	1	48	2530	33	2612	3933
08:00 AM	0	4	1	2	7	0	3	313	13	329	0	6	0	8	14	0	7	611	7	625	975
08:15 AM	0	1	0	0	1	0	4	274	10	288	0	7	0	4	11	0	14	639	9	662	962
08:30 AM	0	1	0	1	2	0	3	254	11	268	0	3	0	1	4	0	8	517	10	535	809
08:45 AM	1	4	1	0	6	0	6	273	9	288	0	3	1	6	10	0	11	482	12	505	809
Total	1	10	2	3	16	0	16	1114	43	1173	0	19	1	19	39	0	40	2249	38	2327	3555
09:00 AM	0	2	3	2	7	0	2	312	12	326	0	6	0	3	9	0	5	409	8	422	764
09:15 AM	0	4	1	1	6	0	2	288	12	302	0	7	1	1	9	0	6	362	7	375	692
*** BREAK ***																					
Total	0	6	4	3	13	0	4	600	24	628	0	13	1	4	18	0	11	771	15	797	1456
*** BREAK ***																					
10:30 AM	0	5	2	3	10	0	5	244	4	253	0	4	3	2	9	0	1	352	7	360	632
10:45 AM	0	1	0	1	2	0	6	276	3	285	0	7	1	2	10	0	0	318	5	323	620
Total	0	6	2	4	12	0	11	520	7	538	0	11	4	4	19	0	1	670	12	683	1252
11:00 AM	0	17	0	3	20	0	1	287	8	296	0	12	0	7	19	0	6	344	6	356	691
11:15 AM	0	12	3	1	16	0	3	290	10	303	0	7	2	6	15	0	9	351	5	365	699
11:30 AM	0	20	2	1	23	0	1	290	10	301	0	9	1	3	13	0	3	410	7	420	757
11:45 AM	0	19	1	0	20	0	4	339	8	351	0	15	0	6	21	0	8	335	16	359	751
Total	0	68	6	5	79	0	9	1206	36	1251	0	43	3	22	68	0	26	1440	34	1500	2898
12:00 PM	0	22	4	4	30	0	7	388	10	405	0	12	0	11	23	0	9	369	15	393	851
12:15 PM	0	17	4	3	24	0	4	362	10	376	0	18	0	10	28	0	6	370	7	383	811
12:30 PM	0	11	2	4	17	0	5	395	12	412	0	8	1	5	14	0	14	363	7	384	827
12:45 PM	0	16	4	2	22	0	4	338	14	356	0	4	0	8	12	0	4	360	21	385	775
Total	0	66	14	13	93	0	20	1483	46	1549	0	42	1	34	77	0	33	1462	50	1545	3264
01:00 PM	0	9	2	1	12	0	2	356	8	366	0	7	2	9	18	0	4	378	6	388	784
01:15 PM	0	23	1	2	26	0	2	363	6	371	0	13	3	8	24	0	4	323	6	333	754
*** BREAK ***																					
Total	0	32	3	3	38	0	4	719	14	737	0	20	5	17	42	0	8	701	12	721	1538
*** BREAK ***																					
02:30 PM	1	24	2	3	30	0	2	405	8	415	0	10	0	5	15	1	3	436	5	445	905
02:45 PM	0	7	1	3	11	0	4	412	10	426	0	10	3	7	20	0	7	397	8	412	869
Total	1	31	3	6	41	0	6	817	18	841	0	20	3	12	35	1	10	833	13	857	1774
03:00 PM	0	24	1	0	25	0	4	492	11	507	0	13	1	4	18	0	8	366	3	377	927
03:15 PM	1	10	1	1	13	0	3	511	12	526	0	24	1	4	29	1	5	418	9	433	1001
03:30 PM	0	21	1	4	26	0	5	512	21	538	0	37	2	17	56	0	6	425	3	434	1054
03:45 PM	0	20	1	0	21	0	3	513	14	530	0	16	2	10	28	0	5	347	3	355	934
Total	1	75	4	5	85	0	15	2028	58	2101	0	90	6	35	131	1	24	1556	18	1599	3916

726 TH 5 and Fuller Road  
Ref.Pt: 48.249  
data by: Alliant Inc  
TURN MOVEMENT COUNT

File Name : 726\_TH 5 and Fuller Road  
Site Code : 00000726  
Start Date : 10/16/2018  
Page No : 2

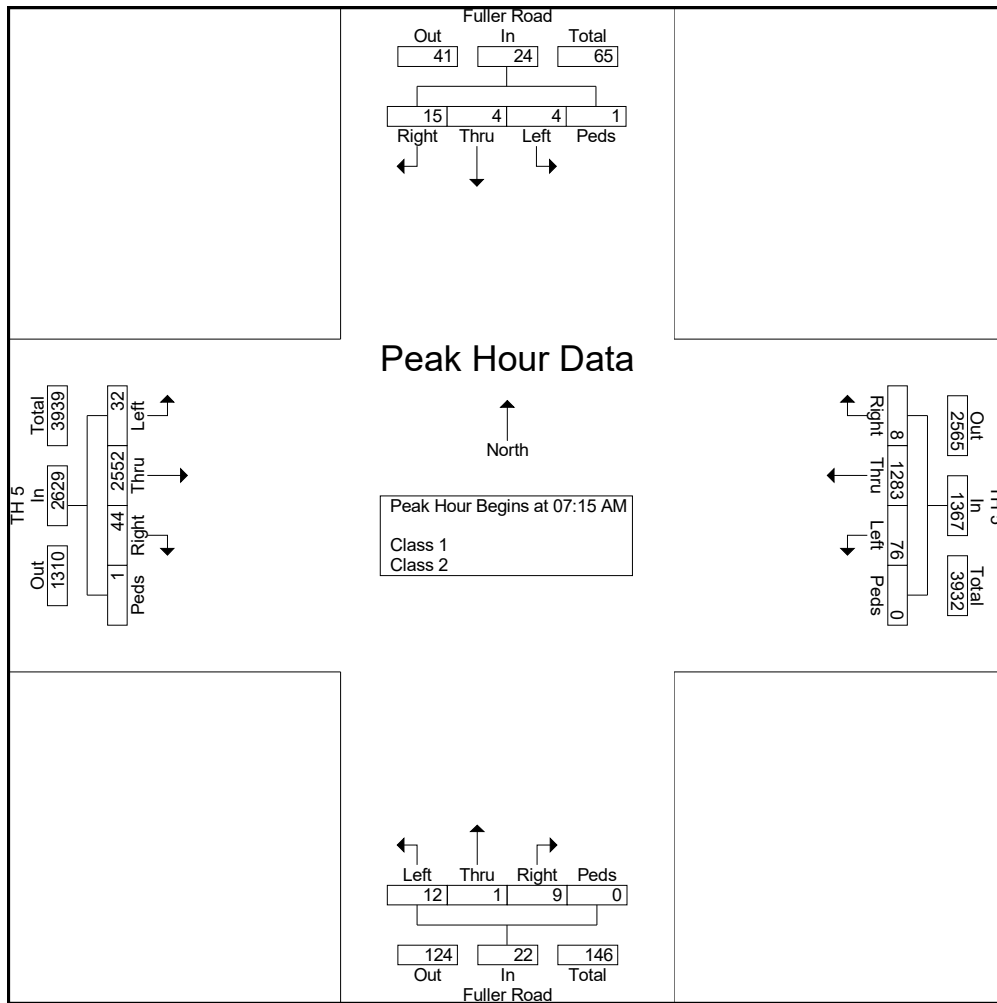
Groups Printed- Class 1 - Class 2

Start Time	Fuller Road Southbound					TH 5 Westbound					Fuller Road Northbound					TH 5 Eastbound					Int. Total
	Peds	Right	Thru	Left	App. Total	Peds	Right	Thru	Left	App. Total	Peds	Right	Thru	Left	App. Total	Peds	Right	Thru	Left	App. Total	
04:00 PM	0	26	1	4	31	0	7	546	7	560	0	50	0	20	70	0	4	384	5	393	1054
04:15 PM	0	38	0	4	42	0	3	508	7	518	0	12	2	6	20	0	1	351	11	363	943
04:30 PM	1	29	2	3	35	0	5	537	3	545	0	21	5	21	47	0	3	331	5	339	966
04:45 PM	0	19	1	1	21	0	0	522	6	528	0	18	1	4	23	0	3	367	4	374	946
Total	1	112	4	12	129	0	15	2113	23	2151	0	101	8	51	160	0	11	1433	25	1469	3909
05:00 PM	0	16	1	7	24	0	3	522	6	531	0	12	0	5	17	0	1	340	6	347	919
05:15 PM	0	20	3	3	26	0	5	457	6	468	0	10	2	4	16	0	3	378	11	392	902
05:30 PM	0	23	2	4	29	0	4	548	4	556	0	15	1	8	24	0	4	330	5	339	948
05:45 PM	0	16	0	2	18	0	3	549	4	556	0	5	2	4	11	0	1	319	9	329	914
Total	0	75	6	16	97	0	15	2076	20	2111	0	42	5	21	68	0	9	1367	31	1407	3683
Grand Total	6	509	53	73	641	0	125	14582	438	15145	1	427	41	230	699	3	257	16596	297	17153	33638
Apprch %	0.9	79.4	8.3	11.4		0	0.8	96.3	2.9		0.1	61.1	5.9	32.9		0	1.5	96.8	1.7		
Total %	0	1.5	0.2	0.2	1.9	0	0.4	43.3	1.3	45	0	1.3	0.1	0.7	2.1	0	0.8	49.3	0.9	51	
Class 1	2	469	44	71	586	0	123	14189	421	14733	1	411	38	213	663	1	251	16164	289	16705	32687
% Class 1	33.3	92.1	83	97.3	91.4	0	98.4	97.3	96.1	97.3	100	96.3	92.7	92.6	94.8	33.3	97.7	97.4	97.3	97.4	97.2
Class 2	4	40	9	2	55	0	2	393	17	412	0	16	3	17	36	2	6	432	8	448	951
% Class 2	66.7	7.9	17	2.7	8.6	0	1.6	2.7	3.9	2.7	0	3.7	7.3	7.4	5.2	66.7	2.3	2.6	2.7	2.6	2.8

726 TH 5 and Fuller Road  
Ref.Pt: 48.249  
data by: Alliant Inc  
**TURN MOVEMENT COUNT**

File Name : 726\_TH 5 and Fuller Road  
Site Code : 00000726  
Start Date : 10/16/2018  
Page No : 3

Start Time	Fuller Road Southbound					TH 5 Westbound					Fuller Road Northbound					TH 5 Eastbound					Int. Total
	Peds	Right	Thru	Left	App. Total	Peds	Right	Thru	Left	App. Total	Peds	Right	Thru	Left	App. Total	Peds	Right	Thru	Left	App. Total	
Peak Hour Analysis From 06:00 AM to 11:45 AM - Peak 1 of 1																					
Peak Hour for Entire Intersection Begins at 07:15 AM																					
07:15 AM	0	2	1	1	4	0	0	302	28	330	0	1	0	2	3	0	10	630	8	648	985
07:30 AM	1	2	1	0	4	0	4	298	19	321	0	2	0	0	2	1	11	637	10	659	986
07:45 AM	0	7	1	1	9	0	1	370	16	387	0	0	1	2	3	0	16	674	7	697	1096
08:00 AM	0	4	1	2	7	0	3	313	13	329	0	6	0	8	14	0	7	611	7	625	975
Total Volume	1	15	4	4	24	0	8	1283	76	1367	0	9	1	12	22	1	44	2552	32	2629	4042
% App. Total	4.2	62.5	16.7	16.7		0	0.6	93.9	5.6		0	40.9	4.5	54.5		0	1.7	97.1	1.2		
PHF	.250	.536	1.00	.500	.667	.000	.500	.867	.679	.883	.000	.375	.250	.375	.393	.250	.688	.947	.800	.943	.922



726 TH 5 and Fuller Road  
Ref.Pt: 48.249  
data by: Alliant Inc  
TURN MOVEMENT COUNT

File Name : 726\_TH 5 and Fuller Road  
Site Code : 00000726  
Start Date : 10/16/2018  
Page No : 4

Start Time	Fuller Road Southbound					TH 5 Westbound					Fuller Road Northbound					TH 5 Eastbound					Int. Total
	Peds	Right	Thru	Left	App. Total	Peds	Right	Thru	Left	App. Total	Peds	Right	Thru	Left	App. Total	Peds	Right	Thru	Left	App. Total	
Peak Hour Analysis From 12:00 PM to 05:45 PM - Peak 1 of 1																					
Peak Hour for Entire Intersection Begins at 03:15 PM																					
03:15 PM	1	10	1	1	13	0	3	511	12	526	0	24	1	4	29	1	5	418	9	433	1001
03:30 PM	0	21	1	4	26	0	5	512	21	538	0	37	2	17	56	0	6	425	3	434	1054
03:45 PM	0	20	1	0	21	0	3	513	14	530	0	16	2	10	28	0	5	347	3	355	934
04:00 PM	0	26	1	4	31	0	7	546	7	560	0	50	0	20	70	0	4	384	5	393	1054
Total Volume	1	77	4	9	91	0	18	2082	54	2154	0	127	5	51	183	1	20	1574	20	1615	4043
% App. Total	1.1	84.6	4.4	9.9		0	0.8	96.7	2.5		0	69.4	2.7	27.9		0.1	1.2	97.5	1.2		
PHF	.250	.740	1.00	.563	.734	.000	.643	.953	.643	.962	.000	.635	.625	.638	.654	.250	.833	.926	.556	.930	.959

