

714 TH 5 and Audubon Blvd
Ref.Pt: 44.323
data by: Alliant Inc
TURN MOVEMENT COUNT

File Name : 714_TH 5 and Audubon Blvd
Site Code : 00000714
Start Date : 9/26/2018
Page No : 1

Groups Printed- Class 1 - Class 2

Start Time	Audubon Blvd Southbound					TH 5 Westbound					Audubon Blvd Northbound					TH 5 Eastbound					Int. Total
	Peds	Right	Thru	Left	App. Total	Peds	Right	Thru	Left	App. Total	Peds	Right	Thru	Left	App. Total	Peds	Right	Thru	Left	App. Total	
06:00 AM	0	0	1	5	6	0	1	61	9	71	0	11	2	5	18	0	3	128	1	132	227
06:15 AM	0	0	2	1	3	0	0	62	19	81	0	36	1	2	39	0	13	215	0	228	351
06:30 AM	0	0	0	2	2	0	0	86	13	99	0	14	2	5	21	0	8	237	1	246	368
06:45 AM	0	0	9	6	15	0	2	120	19	141	0	19	3	2	24	0	19	251	1	271	451
Total	0	0	12	14	26	0	3	329	60	392	0	80	8	14	102	0	43	831	3	877	1397
07:00 AM	0	0	5	6	11	0	0	85	14	99	0	19	5	2	26	0	23	338	1	362	498
07:15 AM	0	0	5	6	11	0	2	117	14	133	0	26	4	9	39	0	18	378	0	396	579
07:30 AM	0	0	7	4	11	0	1	138	17	156	0	28	5	12	45	0	19	394	0	413	625
07:45 AM	0	2	13	15	30	0	2	168	24	194	0	17	9	12	38	0	26	284	4	314	576
Total	0	2	30	31	63	0	5	508	69	582	0	90	23	35	148	0	86	1394	5	1485	2278
08:00 AM	0	0	9	6	15	0	4	160	25	189	0	20	3	20	43	0	31	287	1	319	566
08:15 AM	0	2	8	11	21	0	3	165	18	186	0	14	7	12	33	0	18	301	0	319	559
08:30 AM	0	0	2	9	11	0	4	150	23	177	0	15	6	7	28	0	11	340	2	353	569
08:45 AM	0	1	3	8	12	0	1	170	22	193	0	11	1	6	18	0	13	279	0	292	515
Total	0	3	22	34	59	0	12	645	88	745	0	60	17	45	122	0	73	1207	3	1283	2209
09:00 AM	0	1	6	10	17	0	1	161	27	189	0	17	4	12	33	0	8	196	1	205	444
09:15 AM	0	0	4	3	7	0	3	169	11	183	0	11	6	6	23	1	9	209	1	220	433
*** BREAK ***																					
Total	0	1	10	13	24	0	4	330	38	372	0	28	10	18	56	1	17	405	2	425	877
*** BREAK ***																					
10:30 AM	0	0	0	3	3	0	1	151	15	167	0	9	8	6	23	0	8	187	0	195	388
10:45 AM	0	1	4	0	5	0	1	167	10	178	0	15	3	9	27	0	2	166	1	169	379
Total	0	1	4	3	8	0	2	318	25	345	0	24	11	15	50	0	10	353	1	364	767
11:00 AM	0	1	4	5	10	0	4	164	13	181	0	17	5	11	33	0	3	169	0	172	396
11:15 AM	0	0	4	4	8	0	2	184	15	201	0	20	3	6	29	2	4	202	1	209	447
11:30 AM	0	0	6	3	9	0	3	178	17	198	1	26	9	11	47	0	3	187	2	192	446
11:45 AM	0	2	8	5	15	0	1	182	12	195	0	31	5	8	44	0	6	206	2	214	468
Total	0	3	22	17	42	0	10	708	57	775	1	94	22	36	153	2	16	764	5	787	1757
12:00 PM	0	3	10	2	15	0	3	190	29	222	0	26	11	17	54	0	4	207	1	212	503
12:15 PM	0	2	17	0	19	0	3	215	23	241	0	17	7	10	34	0	5	206	1	212	506
12:30 PM	0	2	8	3	13	0	3	183	33	219	0	22	5	13	40	0	3	166	1	170	442
12:45 PM	0	2	19	2	23	1	4	189	27	221	0	15	11	2	28	0	7	193	3	203	475
Total	0	9	54	7	70	1	13	777	112	903	0	80	34	42	156	0	19	772	6	797	1926
01:00 PM	0	2	11	9	22	0	1	194	30	225	0	8	3	6	17	0	7	193	1	201	465
01:15 PM	0	2	15	6	23	0	7	199	41	247	0	21	5	4	30	0	7	200	1	208	508
*** BREAK ***																					
Total	0	4	26	15	45	0	8	393	71	472	0	29	8	10	47	0	14	393	2	409	973
*** BREAK ***																					
02:30 PM	0	7	5	2	14	0	4	234	17	255	0	16	3	8	27	1	11	176	1	189	485
02:45 PM	0	1	7	3	11	0	6	230	20	256	0	23	5	8	36	0	8	158	1	167	470
Total	0	8	12	5	25	0	10	464	37	511	0	39	8	16	63	1	19	334	2	356	955
03:00 PM	0	0	6	4	10	1	2	256	17	276	0	43	3	18	64	0	7	198	1	206	556
03:15 PM	0	2	5	3	10	0	4	282	28	314	0	33	1	13	47	0	9	184	0	193	564
03:30 PM	0	4	4	4	12	0	5	347	16	368	2	29	4	31	66	0	6	208	0	214	660
03:45 PM	0	2	5	1	8	0	7	370	24	401	0	27	8	18	53	0	8	214	0	222	684
Total	0	8	20	12	40	1	18	1255	85	1359	2	132	16	80	230	0	30	804	1	835	2464

714 TH 5 and Audubon Blvd
Ref.Pt: 44.323
data by: Alliant Inc
TURN MOVEMENT COUNT

File Name : 714_TH 5 and Audubon Blvd
Site Code : 00000714
Start Date : 9/26/2018
Page No : 2

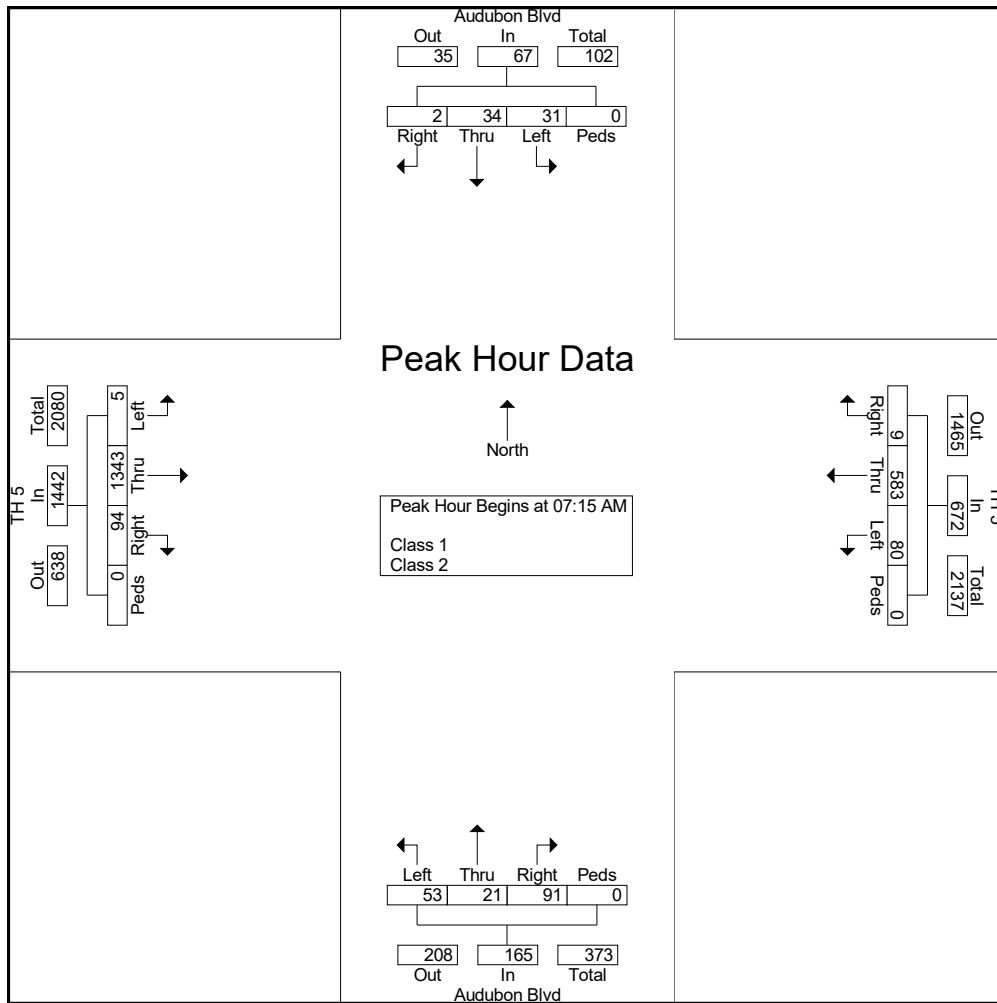
Groups Printed- Class 1 - Class 2

Start Time	Audubon Blvd Southbound					TH 5 Westbound					Audubon Blvd Northbound					TH 5 Eastbound					Int. Total
	Peds	Right	Thru	Left	App. Total	Peds	Right	Thru	Left	App. Total	Peds	Right	Thru	Left	App. Total	Peds	Right	Thru	Left	App. Total	
04:00 PM	0	1	7	5	13	0	4	416	20	440	0	34	8	23	65	0	13	174	0	187	705
04:15 PM	0	2	9	2	13	0	9	389	26	424	0	28	7	28	63	0	19	165	0	184	684
04:30 PM	0	1	4	6	11	0	7	365	25	397	0	36	4	27	67	0	11	234	1	246	721
04:45 PM	0	1	8	1	10	0	3	394	25	422	0	36	7	21	64	0	11	271	1	283	779
Total	0	5	28	14	47	0	23	1564	96	1683	0	134	26	99	259	0	54	844	2	900	2889
05:00 PM	0	2	11	5	18	0	9	354	20	383	0	25	13	50	88	0	7	195	1	203	692
05:15 PM	0	2	10	3	15	0	8	373	24	405	0	24	10	33	67	0	15	218	3	236	723
05:30 PM	0	4	6	6	16	0	11	315	12	338	0	31	7	23	61	0	9	208	1	218	633
05:45 PM	0	4	11	1	16	0	7	328	22	357	0	13	2	18	33	0	6	221	1	228	634
Total	0	12	38	15	65	0	35	1370	78	1483	0	93	32	124	249	0	37	842	6	885	2682
Grand Total	0	56	278	180	514	2	143	8661	816	9622	3	883	215	534	1635	4	418	8943	38	9403	21174
Apprch %	0	10.9	54.1	35		0	1.5	90	8.5		0.2	54	13.1	32.7		0	4.4	95.1	0.4		
Total %	0	0.3	1.3	0.9	2.4	0	0.7	40.9	3.9	45.4	0	4.2	1	2.5	7.7	0	2	42.2	0.2	44.4	
Class 1	0	56	269	171	496	0	141	8323	758	9222	3	826	198	520	1547	1	406	8666	38	9111	20376
% Class 1	0	100	96.8	95	96.5	0	98.6	96.1	92.9	95.8	100	93.5	92.1	97.4	94.6	25	97.1	96.9	100	96.9	96.2
Class 2	0	0	9	9	18	2	2	338	58	400	0	57	17	14	88	3	12	277	0	292	798
% Class 2	0	0	3.2	5	3.5	100	1.4	3.9	7.1	4.2	0	6.5	7.9	2.6	5.4	75	2.9	3.1	0	3.1	3.8

714 TH 5 and Audubon Blvd
 Ref.Pt: 44.323
 data by: Alliant Inc
 TURN MOVEMENT COUNT

File Name : 714_TH 5 and Audubon Blvd
 Site Code : 0000714
 Start Date : 9/26/2018
 Page No : 3

Start Time	Audubon Blvd Southbound					TH 5 Westbound					Audubon Blvd Northbound					TH 5 Eastbound					Int. Total
	Peds	Right	Thru	Left	App. Total	Peds	Right	Thru	Left	App. Total	Peds	Right	Thru	Left	App. Total	Peds	Right	Thru	Left	App. Total	
Peak Hour Analysis From 06:00 AM to 11:45 AM - Peak 1 of 1																					
Peak Hour for Entire Intersection Begins at 07:15 AM																					
07:15 AM	0	0	5	6	11	0	2	117	14	133	0	26	4	9	39	0	18	378	0	396	579
07:30 AM	0	0	7	4	11	0	1	138	17	156	0	28	5	12	45	0	19	394	0	413	625
07:45 AM	0	2	13	15	30	0	2	168	24	194	0	17	9	12	38	0	26	284	4	314	576
08:00 AM	0	0	9	6	15	0	4	160	25	189	0	20	3	20	43	0	31	287	1	319	566
Total Volume	0	2	34	31	67	0	9	583	80	672	0	91	21	53	165	0	94	1343	5	1442	2346
% App. Total	0	3	50.7	46.3		0	1.3	86.8	11.9		0	55.2	12.7	32.1		0	6.5	93.1	0.3		
PHF	.000	.250	.654	.517	.558	.000	.563	.868	.800	.866	.000	.813	.583	.663	.917	.000	.758	.852	.313	.873	.938



714 TH 5 and Audubon Blvd
 Ref.Pt: 44.323
 data by: Alliant Inc
 TURN MOVEMENT COUNT

File Name : 714_TH 5 and Audubon Blvd
 Site Code : 00000714
 Start Date : 9/26/2018
 Page No : 4

Start Time	Audubon Blvd Southbound					TH 5 Westbound					Audubon Blvd Northbound					TH 5 Eastbound					Int. Total
	Peds	Right	Thru	Left	App. Total	Peds	Right	Thru	Left	App. Total	Peds	Right	Thru	Left	App. Total	Peds	Right	Thru	Left	App. Total	
Peak Hour Analysis From 12:00 PM to 05:45 PM - Peak 1 of 1																					
Peak Hour for Entire Intersection Begins at 04:30 PM																					
04:30 PM	0	1	4	6	11	0	7	365	25	397	0	36	4	27	67	0	11	234	1	246	721
04:45 PM	0	1	8	1	10	0	3	394	25	422	0	36	7	21	64	0	11	271	1	283	779
05:00 PM	0	2	11	5	18	0	9	354	20	383	0	25	13	50	88	0	7	195	1	203	692
05:15 PM	0	2	10	3	15	0	8	373	24	405	0	24	10	33	67	0	15	218	3	236	723
Total Volume	0	6	33	15	54	0	27	1486	94	1607	0	121	34	131	286	0	44	918	6	968	2915
% App. Total	0	11.1	61.1	27.8		0	1.7	92.5	5.8		0	42.3	11.9	45.8		0	4.5	94.8	0.6		
PHF	.000	.750	.750	.625	.750	.000	.750	.943	.940	.952	.000	.840	.654	.655	.813	.000	.733	.847	.500	.855	.935

