

# TRAFFIC DATA INC.

3268 Xenwood Ave S  
St Louis Park, MN 55416

TH-5 at Co.Rd.10 /Waconia Pkwy/W 13th St  
Ref.Pt.: 031.563  
TDI Inc  
TURN MOVEMENT COUNT

File Name : 2681113 Hwy 5 & CR 10  
Site Code : 2681113  
Start Date : 2/16/2011  
Page No : 1

Groups Printed- Class 1

Start Time	Co.Rd.10 / Waconia Pkwy S Southbound				TH-5 Westbound				Co.Rd.10 / W 13th St. Northbound				TH-5 Eastbound				Int. Total
	Left	Thru	Right	Peds	Left	Thru	Right	Peds	Left	Thru	Right	Peds	Left	Thru	Right	Peds	
06:00	29	33	0	0	2	15	1	0	4	6	3	0	4	44	14	0	155
06:15	26	58	0	0	2	18	4	0	3	7	7	0	1	58	17	0	201
06:30	48	56	0	0	1	26	4	1	10	7	9	0	1	91	34	2	290
06:45	62	62	0	0	8	32	15	0	19	6	14	0	2	79	16	0	315
Total	165	209	0	0	13	91	24	1	36	26	33	0	8	272	81	2	961
07:00	57	51	0	0	4	39	10	0	22	11	10	0	1	73	16	0	294
07:15	70	64	1	0	5	57	19	0	41	23	7	0	2	112	27	0	428
07:30	61	57	2	0	11	74	42	0	46	42	12	0	1	145	25	0	518
07:45	85	51	1	0	14	57	45	0	28	40	19	0	3	173	21	0	537
Total	273	223	4	0	34	227	116	0	137	116	48	0	7	503	89	0	1777
08:00	55	43	0	0	11	41	24	0	9	12	14	0	4	91	16	0	320
08:15	47	37	0	0	6	44	19	0	6	13	14	0	0	78	12	0	276
08:30	46	21	0	0	14	32	13	0	9	15	13	0	0	63	5	0	231
08:45	28	19	0	0	8	28	10	0	14	12	14	0	1	61	5	0	200
Total	176	120	0	0	39	145	66	0	38	52	55	0	5	293	38	0	1027
09:00	24	17	1	0	12	49	23	1	13	8	12	1	5	51	8	0	225
09:15	28	34	0	0	16	43	14	0	7	14	12	0	2	59	12	0	241
09:30	19	22	0	1	13	30	17	0	7	18	11	0	1	45	8	0	192
09:45	33	24	0	0	12	29	17	0	10	10	12	0	3	42	3	0	195
Total	104	97	1	1	53	151	71	1	37	50	47	1	11	197	31	0	853
10:00	19	13	0	0	20	42	14	0	5	7	14	0	3	49	5	0	191
10:15	20	16	1	0	22	40	17	0	13	9	14	0	2	45	6	1	206
10:30	23	19	0	2	13	41	13	0	13	18	18	0	3	42	8	0	213
10:45	24	17	0	2	16	52	20	0	13	9	11	0	1	48	5	0	218
Total	86	65	1	4	71	175	64	0	44	43	57	0	9	184	24	1	828
11:00	30	20	0	0	23	70	16	0	18	10	15	0	3	43	4	0	252
11:15	28	19	0	0	19	57	15	1	13	18	14	1	2	45	6	0	238
11:30	30	20	1	0	27	46	22	1	23	8	10	0	6	60	3	0	257
11:45	41	25	2	0	22	58	24	0	18	17	20	0	6	61	4	0	298
Total	129	84	3	0	91	231	77	2	72	53	59	1	17	209	17	0	1045
12:00	30	18	1	4	21	57	25	0	24	25	26	0	3	42	14	0	290
12:15	32	24	0	3	28	45	14	0	15	26	22	0	3	43	7	0	262
12:30	25	22	1	0	19	68	23	0	18	14	25	0	2	63	9	1	290
12:45	40	19	0	0	20	60	24	0	17	19	19	0	2	43	4	0	267
Total	127	83	2	7	88	230	86	0	74	84	92	0	10	191	34	1	1109
13:00	23	12	2	0	21	60	24	6	16	22	18	0	2	44	7	0	257
13:15	29	15	0	0	25	61	24	0	12	14	21	0	3	43	7	0	254
13:30	30	16	1	0	21	51	17	0	18	20	21	0	5	49	5	1	255
13:45	32	30	1	0	17	47	17	0	11	19	17	0	2	46	4	0	243
Total	114	73	4	0	84	219	82	6	57	75	77	0	12	182	23	1	1009
14:00	39	25	1	0	23	56	36	0	20	24	19	0	4	36	9	1	293
14:15	25	19	0	0	21	62	38	1	19	32	21	0	6	46	15	0	305
14:30	31	22	0	0	27	79	46	0	36	39	20	0	3	53	7	0	363
14:45	36	30	2	0	28	95	51	0	24	33	26	0	6	63	18	0	412
Total	131	96	3	0	99	292	171	1	99	128	86	0	19	198	49	1	1373
15:00	38	37	2	1	33	98	33	0	35	37	26	0	3	93	33	1	470
15:15	35	24	2	1	29	74	37	0	21	42	23	0	2	65	13	1	369
15:30	18	27	2	0	47	105	68	1	81	77	22	0	11	68	14	0	541

# TRAFFIC DATA INC.

3268 Xenwood Ave S  
St Louis Park, MN 55416

TH-5 at Co.Rd.10 /Waconia Pkwy/W 13th St  
Ref.Pt.: 031.563  
TDI Inc  
TURN MOVEMENT COUNT

File Name : 2681113 Hwy 5 & CR 10  
Site Code : 2681113  
Start Date : 2/16/2011  
Page No : 2

Groups Printed- Class 1

Start Time	Co.Rd.10 / Waconia Pkwy S Southbound				TH-5 Westbound				Co.Rd.10 / W 13th St. Northbound				TH-5 Eastbound				Int. Total
	Left	Thru	Rght	Peds	Left	Thru	Rght	Peds	Left	Thru	Rght	Peds	Left	Thru	Rght	Peds	
15:45	24	35	0	0	40	87	45	0	37	66	18	0	8	71	13	1	445
Total	115	123	6	2	149	364	183	1	174	222	89	0	24	297	73	3	1825
16:00	34	25	0	0	35	112	47	0	41	61	19	0	6	49	14	0	443
16:15	34	27	0	0	29	92	47	2	54	52	22	0	7	42	18	1	427
16:30	29	29	1	0	28	127	52	0	56	73	25	0	2	61	15	0	498
16:45	42	37	1	2	30	118	67	0	37	68	21	0	6	55	13	1	498
Total	139	118	2	2	122	449	213	2	188	254	87	0	21	207	60	2	1866
17:00	21	34	0	0	44	133	56	0	49	66	15	0	5	60	11	0	494
17:15	37	24	1	0	26	125	63	0	35	58	26	0	1	77	9	0	482
17:30	32	40	1	0	26	100	53	0	42	77	13	0	3	46	12	0	445
17:45	37	26	2	3	31	92	48	0	41	64	20	0	3	46	13	0	426
Total	127	124	4	3	127	450	220	0	167	265	74	0	12	229	45	0	1847
18:00	32	32	0	0	28	86	32	0	37	48	15	0	2	67	15	0	394
18:15	25	35	1	0	26	88	29	1	37	44	15	0	4	68	8	0	381
18:30	24	17	1	0	17	64	36	0	37	47	17	0	5	47	13	0	325
18:45	21	24	0	0	11	70	24	0	50	41	16	0	2	34	7	0	300
Total	102	108	2	0	82	308	121	1	161	180	63	0	13	216	43	0	1400
Grand Total	1788	1523	32	19	1052	3332	1494	15	1284	1548	867	2	168	3178	607	11	16920
Apprch %	53.2	45.3	1	0.6	17.9	56.5	25.4	0.3	34.7	41.8	23.4	0.1	4.2	80.2	15.3	0.3	
Total %	10.6	9	0.2	0.1	6.2	19.7	8.8	0.1	7.6	9.1	5.1	0	1	18.8	3.6	0.1	

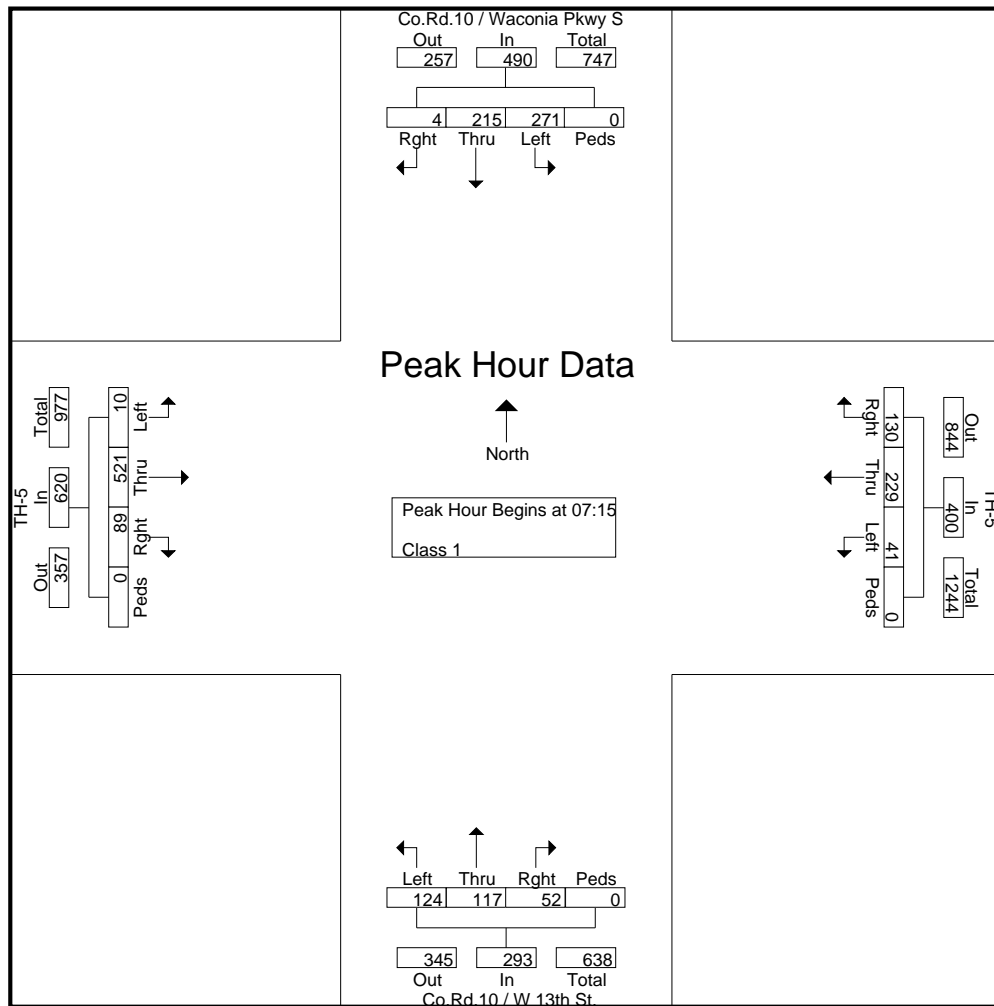
# TRAFFIC DATA INC.

3268 Xenwood Ave S  
St Louis Park, MN 55416

TH-5 at Co.Rd.10 /Waconia Pkwy/W 13th St  
Ref.Pt.: 031.563  
TDI Inc  
TURN MOVEMENT COUNT

File Name : 2681113 Hwy 5 & CR 10  
Site Code : 2681113  
Start Date : 2/16/2011  
Page No : 3

Start Time	Co.Rd.10 / Waconia Pkwy S Southbound					TH-5 Westbound					Co.Rd.10 / W 13th St. Northbound					TH-5 Eastbound					Int. Total
	Left	Thru	Rght	Peds	App. Total	Left	Thru	Rght	Peds	App. Total	Left	Thru	Rght	Peds	App. Total	Left	Thru	Rght	Peds	App. Total	
Peak Hour Analysis From 06:00 to 09:30 - Peak 1 of 1																					
Peak Hour for Entire Intersection Begins at 07:15																					
07:15	70	64	1	0	135	5	57	19	0	81	41	23	7	0	71	2	112	27	0	141	428
07:30	61	57	2	0	120	11	74	42	0	127	46	42	12	0	100	1	145	25	0	171	518
07:45	85	51	1	0	137	14	57	45	0	116	28	40	19	0	87	3	173	21	0	197	537
08:00	55	43	0	0	98	11	41	24	0	76	9	12	14	0	35	4	91	16	0	111	320
Total Volume	271	215	4	0	490	41	229	130	0	400	124	117	52	0	293	10	521	89	0	620	1803
% App. Total	55.3	43.9	0.8	0		10.2	57.2	32.5	0		42.3	39.9	17.7	0		1.6	84	14.4	0		
PHF	.797	.840	.500	.000	.894	.732	.774	.722	.000	.787	.674	.696	.684	.000	.733	.625	.753	.824	.000	.787	.839



# TRAFFIC DATA INC.

3268 Xenwood Ave S  
St Louis Park, MN 55416

TH-5 at Co.Rd.10 /Waconia Pkwy/W 13th St  
Ref.Pt.: 031.563  
TDI Inc  
TURN MOVEMENT COUNT

File Name : 2681113 Hwy 5 & CR 10  
Site Code : 2681113  
Start Date : 2/16/2011  
Page No : 4

Start Time	Co.Rd.10 / Waconia Pkwy S Southbound					TH-5 Westbound					Co.Rd.10 / W 13th St. Northbound					TH-5 Eastbound					Int. Total
	Left	Thru	Rght	Peds	App. Total	Left	Thru	Rght	Peds	App. Total	Left	Thru	Rght	Peds	App. Total	Left	Thru	Rght	Peds	App. Total	
Peak Hour Analysis From 15:00 to 18:45 - Peak 1 of 1																					
Peak Hour for Entire Intersection Begins at 16:30																					
16:30	29	29	1	0	59	28	127	52	0	207	56	73	25	0	154	2	61	15	0	78	498
16:45	42	37	1	2	82	30	118	67	0	215	37	68	21	0	126	6	55	13	1	75	498
17:00	21	34	0	0	55	44	133	56	0	233	49	66	15	0	130	5	60	11	0	76	494
17:15	37	24	1	0	62	26	125	63	0	214	35	58	26	0	119	1	77	9	0	87	482
Total Volume	129	124	3	2	258	128	503	238	0	869	177	265	87	0	529	14	253	48	1	316	1972
% App. Total	50	48.1	1.2	0.8		14.7	57.9	27.4	0		33.5	50.1	16.4	0		4.4	80.1	15.2	0.3		
PHF	.768	.838	.750	.250	.787	.727	.945	.888	.000	.932	.790	.908	.837	.000	.859	.583	.821	.800	.250	.908	.990

