



MINNESOTA DEPT OF TRANSPORTATION

TRAFFIC DATA COLLECTION - METRO

Location: TH 47 AT CSAH 116
 /SUNWOOD DR 2006
 REF. PT.: 023+00.610
 JAMAR#T-1385/MAR/RE

File Name : TH 47 AT SUNWOOD DR-149TH AV AM PM 2006
 Site Code : 00000000
 Start Date : 10/19/2006
 Page No : 1

Groups Printed- CARS & TRUCKS

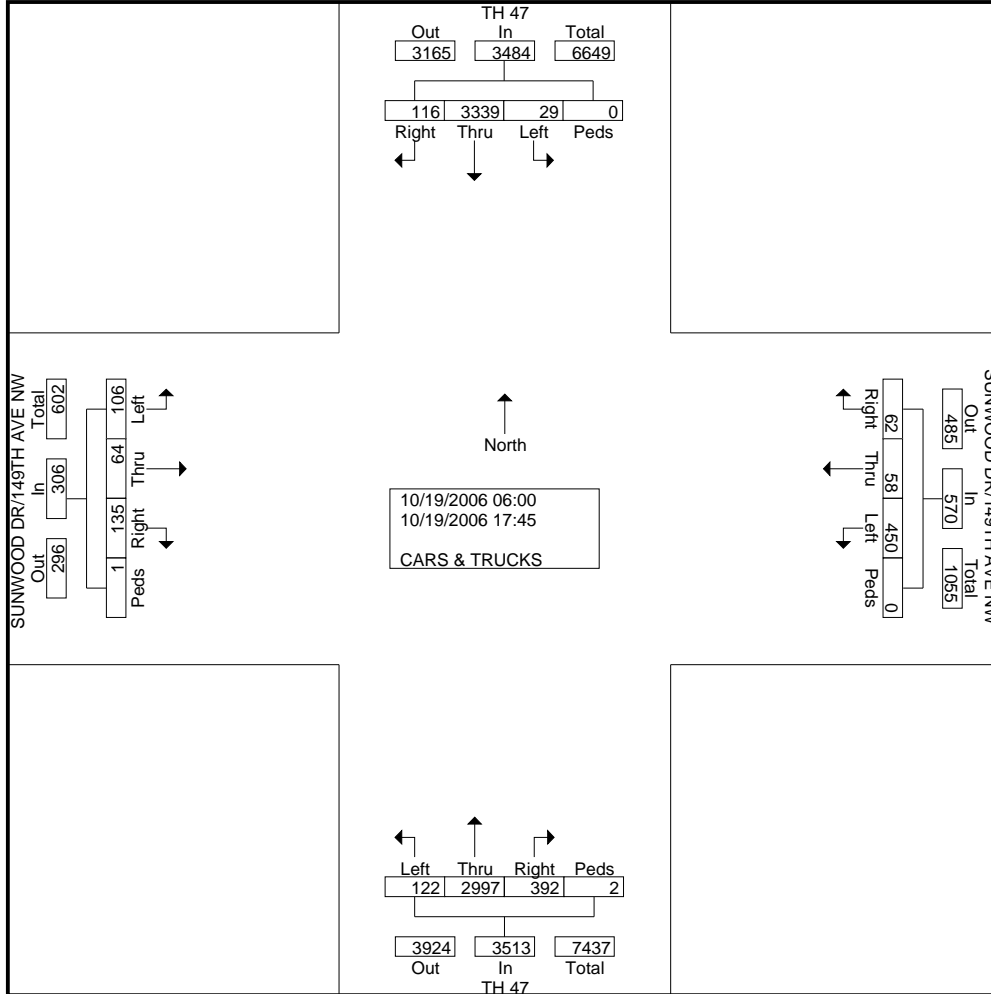
Start Time	TH 47 Southbound				SUNWOOD DR/149TH AVE NW Westbound				TH 47 Northbound				SUNWOOD DR/149TH AVE NW Eastbound				Int. Total
	Left	Thru	Right	Peds	Left	Thru	Right	Peds	Left	Thru	Right	Peds	Left	Thru	Right	Peds	
06:00	0	152	2	0	28	2	0	0	1	13	2	0	2	0	9	0	211
06:15	0	181	1	0	21	2	1	0	2	23	1	0	1	0	6	0	239
06:30	2	175	1	0	29	2	1	0	3	27	4	0	4	1	10	0	259
06:45	0	170	6	0	28	3	2	0	2	36	3	0	3	0	2	0	255
Total	2	678	10	0	106	9	4	0	8	99	10	0	10	1	27	0	964
07:00	0	150	1	0	21	1	1	0	0	40	1	0	1	2	8	0	226
07:15	0	103	5	0	17	4	7	0	1	43	6	0	1	1	2	0	190
07:30	0	141	8	0	10	4	0	0	1	52	1	0	1	2	3	0	223
07:45	1	146	13	0	18	0	3	0	3	63	4	0	7	1	5	0	264
Total	1	540	27	0	66	9	11	0	5	198	12	0	10	6	18	0	903
08:00	0	134	6	0	20	0	2	0	2	40	4	0	4	1	2	0	215
08:15	1	131	6	0	12	1	2	0	2	40	3	0	3	1	2	0	204
08:30	2	124	9	0	14	1	0	0	2	36	4	0	5	0	3	0	200
08:45	1	144	6	0	13	5	2	0	1	39	6	0	7	3	5	0	232
Total	4	533	27	0	59	7	6	0	7	155	17	0	19	5	12	0	851
11:00	1	67	0	0	11	0	1	0	4	50	7	0	0	0	2	0	143
11:15	0	77	2	0	6	1	1	0	1	65	6	0	5	2	5	0	171
11:30	2	69	0	0	6	1	0	0	2	70	5	1	1	1	1	0	159
11:45	0	87	1	0	9	1	2	0	4	74	4	0	2	1	2	0	187
Total	3	300	3	0	32	3	4	0	11	259	22	1	8	4	10	0	660
12:00	0	70	0	0	3	0	0	0	2	84	8	0	2	3	4	0	176
12:15	0	70	1	0	10	1	2	0	2	63	12	0	0	1	3	0	165
12:30	0	65	1	0	11	2	2	0	4	83	6	0	0	2	2	0	178
12:45	0	54	5	0	7	2	1	0	2	83	5	0	1	1	3	0	164
Total	0	259	7	0	31	5	5	0	10	313	31	0	3	7	12	0	683
15:00	1	90	3	0	10	1	2	0	4	148	18	0	2	2	4	0	285
15:15	1	98	4	0	8	5	0	0	2	159	22	1	4	6	2	1	313
15:30	1	70	4	0	14	2	6	0	7	183	29	0	3	2	3	0	324
15:45	1	95	3	0	6	3	2	0	6	159	22	0	16	3	3	0	319
Total	4	353	14	0	38	11	10	0	19	649	91	1	25	13	12	1	1241
16:00	0	91	5	0	17	1	3	0	6	188	29	0	7	8	13	0	368
16:15	3	105	2	0	14	3	1	0	12	204	38	0	5	4	5	0	396
16:30	0	74	3	0	21	2	2	0	5	184	34	0	3	3	5	0	336
16:45	1	99	3	0	18	1	3	0	4	187	29	0	4	5	5	0	359
Total	4	369	13	0	70	7	9	0	27	763	130	0	19	20	28	0	1459
17:00	5	110	5	0	17	3	1	0	13	199	25	0	4	4	8	0	394
17:15	5	99	5	0	15	1	4	0	13	193	29	0	5	4	4	0	377
17:45	1	98	5	0	16	3	8	0	9	169	25	0	3	0	4	0	341
Total	11	307	15	0	48	7	13	0	35	561	79	0	12	8	16	0	1112
Grand Total	29	3339	116	0	450	58	62	0	122	2997	392	2	106	64	135	1	7873
Apprch %	0.8	95.8	3.3	0	78.9	10.2	10.9	0	3.5	85.3	11.2	0.1	34.6	20.9	44.1	0.3	
Total %	0.4	42.4	1.5	0	5.7	0.7	0.8	0	1.5	38.1	5	0	1.3	0.8	1.7	0	



MINNESOTA DEPT OF TRANSPORTATION

TRAFFIC DATA COLLECTION - METRO

File Name : TH 47 AT SUNWOOD DR-149TH AV AM PM 2006
 Site Code : 00000000
 Start Date : 10/19/2006
 Page No : 2



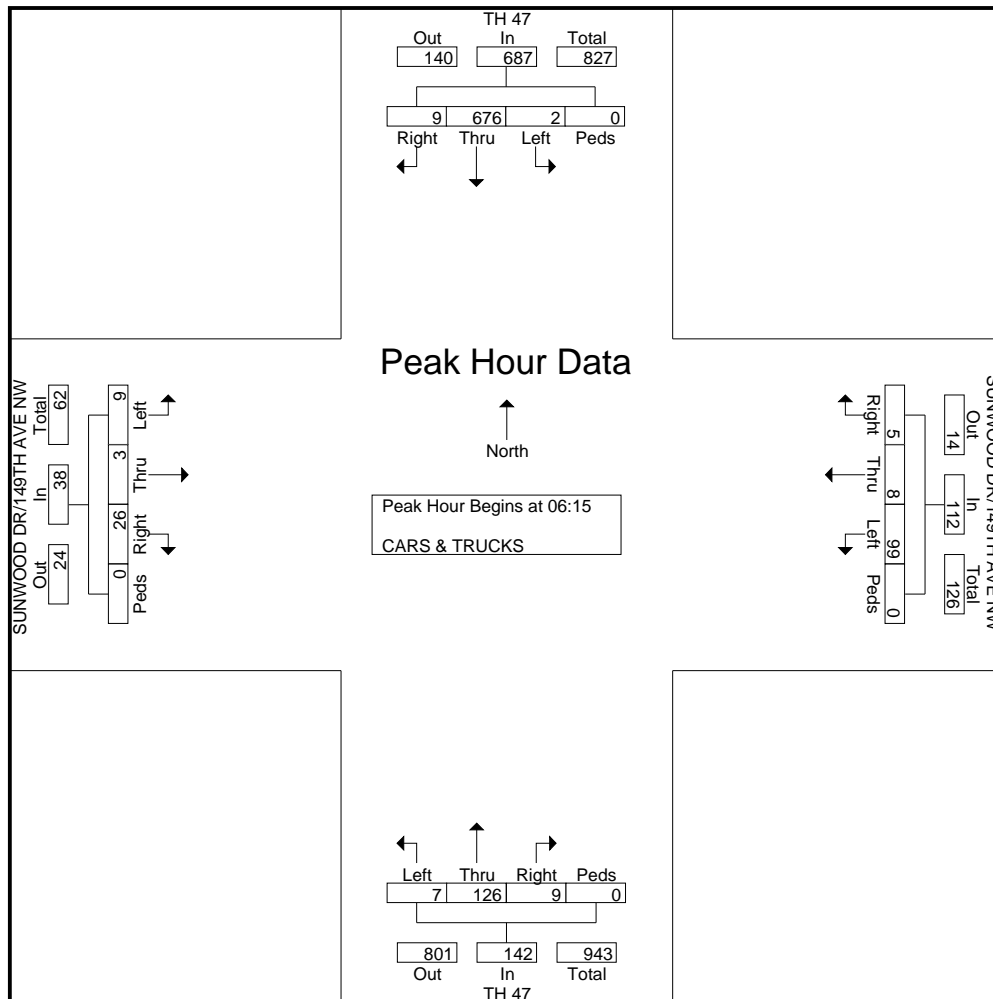


MINNESOTA DEPT OF TRANSPORTATION

TRAFFIC DATA COLLECTION - METRO

File Name : TH 47 AT SUNWOOD DR-149TH AV AM PM 2006
 Site Code : 00000000
 Start Date : 10/19/2006
 Page No : 3

Start Time	TH 47 Southbound					SUNWOOD DR/149TH AVE NW Westbound					TH 47 Northbound					SUNWOOD DR/149TH AVE NW Eastbound					Int. Total
	Left	Thru	Right	Peds	App. Total	Left	Thru	Right	Peds	App. Total	Left	Thru	Right	Peds	App. Total	Left	Thru	Right	Peds	App. Total	
Peak Hour Analysis From 06:00 to 09:45 - Peak 1 of 1																					
Peak Hour for Entire Intersection Begins at 06:15																					
06:15	0	181	1	0	182	21	2	1	0	24	2	23	1	0	26	1	0	6	0	7	239
06:30	2	175	1	0	178	29	2	1	0	32	3	27	4	0	34	4	1	10	0	15	259
06:45	0	170	6	0	176	28	3	2	0	33	2	36	3	0	41	3	0	2	0	5	255
07:00	0	150	1	0	151	21	1	1	0	23	0	40	1	0	41	1	2	8	0	11	226
Total Volume	2	676	9	0	687	99	8	5	0	112	7	126	9	0	142	9	3	26	0	38	979
% App. Total	0.3	98.4	1.3	0		88.4	7.1	4.5	0		4.9	88.7	6.3	0		23.7	7.9	68.4	0		
PHF	.250	.934	.375	.000	.944	.853	.667	.625	.000	.848	.583	.788	.563	.000	.866	.563	.375	.650	.000	.633	.945



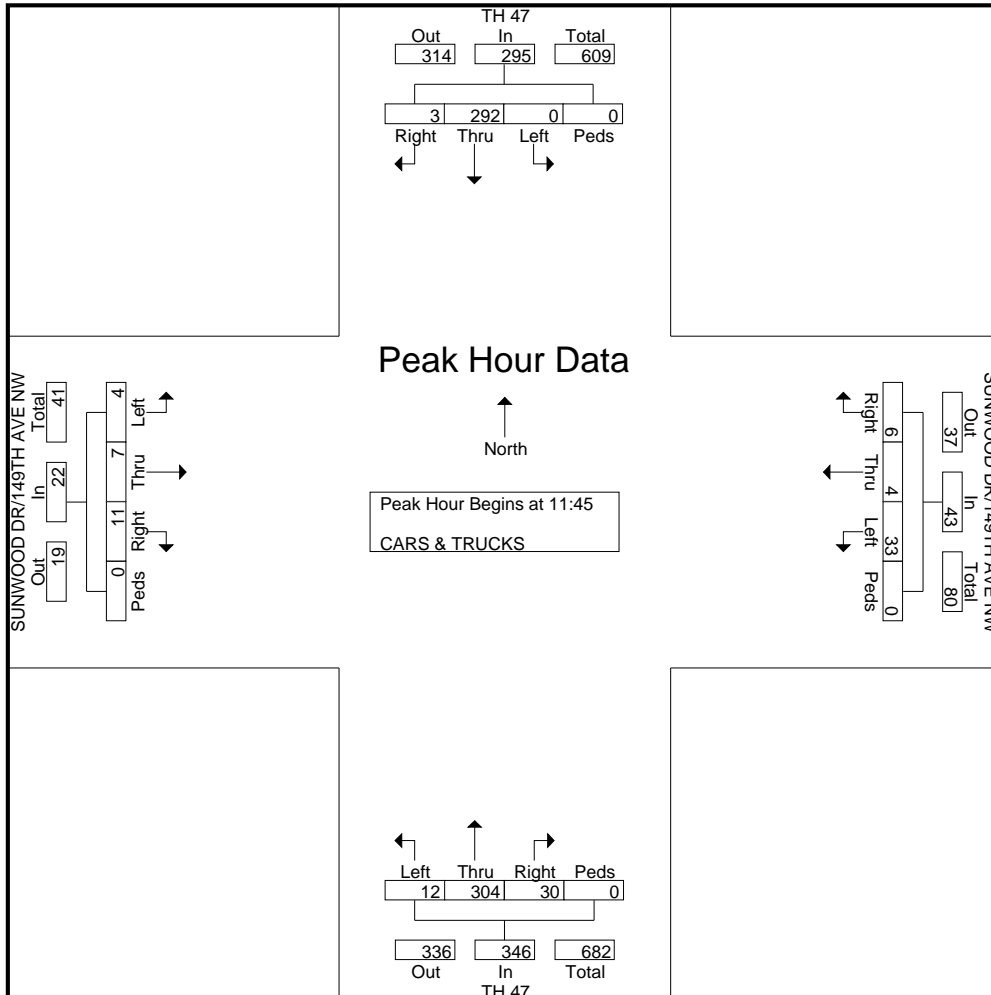


MINNESOTA DEPT OF TRANSPORTATION

TRAFFIC DATA COLLECTION - METRO

File Name : TH 47 AT SUNWOOD DR-149TH AV AM PM 2006
 Site Code : 00000000
 Start Date : 10/19/2006
 Page No : 4

Start Time	TH 47 Southbound					SUNWOOD DR/149TH AVE NW Westbound					TH 47 Northbound					SUNWOOD DR/149TH AVE NW Eastbound					Int. Total
	Left	Thru	Right	Peds	App. Total	Left	Thru	Right	Peds	App. Total	Left	Thru	Right	Peds	App. Total	Left	Thru	Right	Peds	App. Total	
Peak Hour Analysis From 10:00 to 13:45 - Peak 1 of 1																					
Peak Hour for Entire Intersection Begins at 11:45																					
11:45	0	87	1	0	88	9	1	2	0	12	4	74	4	0	82	2	1	2	0	5	187
12:00	0	70	0	0	70	3	0	0	0	3	2	84	8	0	94	2	3	4	0	9	176
12:15	0	70	1	0	71	10	1	2	0	13	2	63	12	0	77	0	1	3	0	4	165
12:30	0	65	1	0	66	11	2	2	0	15	4	83	6	0	93	0	2	2	0	4	178
Total Volume	0	292	3	0	295	33	4	6	0	43	12	304	30	0	346	4	7	11	0	22	706
% App. Total	0	.99	.01	0		76.7	9.3	1.4	0		3.5	87.9	8.7	0		18.2	31.8	5.0	0		
PHF	.000	.839	.750	.000	.838	.750	.500	.750	.000	.717	.750	.905	.625	.000	.920	.500	.583	.688	.000	.611	.944





MINNESOTA DEPT OF TRANSPORTATION

TRAFFIC DATA COLLECTION - METRO

File Name : TH 47 AT SUNWOOD DR-149TH AV AM PM 2006
 Site Code : 00000000
 Start Date : 10/19/2006
 Page No : 5

Start Time	TH 47 Southbound					SUNWOOD DR/149TH AVE NW Westbound					TH 47 Northbound					SUNWOOD DR/149TH AVE NW Eastbound					Int. Total
	Left	Thru	Right	Peds	App. Total	Left	Thru	Right	Peds	App. Total	Left	Thru	Right	Peds	App. Total	Left	Thru	Right	Peds	App. Total	
Peak Hour Analysis From 14:00 to 17:15 - Peak 1 of 1																					
Peak Hour for Entire Intersection Begins at 16:15																					
16:15	3	105	2	0	110	14	3	1	0	18	12	204	38	0	254	5	4	5	0	14	396
16:30	0	74	3	0	77	21	2	2	0	25	5	184	34	0	223	3	3	5	0	11	336
16:45	1	99	3	0	103	18	1	3	0	22	4	187	29	0	220	4	5	5	0	14	359
17:00	5	110	5	0	120	17	3	1	0	21	13	199	25	0	237	4	4	8	0	16	394
Total Volume	9	388	13	0	410	70	9	7	0	86	34	774	126	0	934	16	16	23	0	55	1485
% App. Total	2.2	94.6	3.2	0		81.4	10.5	8.1	0		3.6	82.9	13.5	0		29.1	29.1	41.8	0		
PHF	.450	.882	.650	.000	.854	.833	.750	.583	.000	.860	.654	.949	.829	.000	.919	.800	.800	.719	.000	.859	.938

