

**Alliant Engineering, Inc**

233 Park Ave Suite 300  
 Minneapolis, MN 55415

--TRAFFIC DATA--

Oakgreen Avenue at South Frontage Road

Ref.Pt.: 19.012

data by : Alliant Inc.

TURN MOVEMENT COUNT

File Name : 306\_Oakgreen Ave & S Frontage Rd

Site Code : 306

Start Date : 11/14/2017

Page No : 1

Groups Printed- Vehicles - Trucks

Start Time	Oakgreen Ave From North				S Frontage Rd From East				Oakgreen Ave From South				S Frontage Rd From West				Int. Total
	Other	Left	Thru	Rght	Other	Left	Thru	Rght	Other	Left	Thru	Rght	Other	Left	Thru	Rght	
06:00 AM	0	0	4	6	0	2	1	9	0	1	13	2	0	0	1	0	39
06:15 AM	0	2	6	5	0	4	0	5	0	0	15	2	0	4	1	1	45
06:30 AM	0	1	14	3	0	5	1	6	0	1	16	1	0	3	0	0	51
06:45 AM	0	1	22	6	0	10	6	10	0	1	29	5	0	1	3	1	95
Total	0	4	46	20	0	21	8	30	0	3	73	10	0	8	5	2	230
07:00 AM	0	1	25	4	0	9	4	10	0	0	31	7	0	4	0	1	96
07:15 AM	0	1	49	6	0	11	9	12	0	1	39	8	0	5	1	1	143
07:30 AM	0	3	32	11	0	11	3	9	0	1	42	9	0	9	1	1	132
07:45 AM	0	2	24	11	0	9	5	18	0	0	30	7	0	4	3	1	114
Total	0	7	130	32	0	40	21	49	0	2	142	31	0	22	5	4	485
08:00 AM	0	1	26	9	0	7	6	16	0	0	33	7	0	3	1	3	112
08:15 AM	0	4	22	11	0	11	3	18	0	0	34	7	0	5	3	1	119
08:30 AM	1	3	25	9	0	3	1	17	0	1	37	6	0	6	4	0	113
08:45 AM	0	6	30	21	0	4	9	9	0	3	29	6	0	5	8	2	132
Total	1	14	103	50	0	25	19	60	0	4	133	26	0	19	16	6	476
09:00 AM	0	4	21	19	0	8	7	12	0	0	35	14	0	10	2	3	135
09:15 AM	0	5	32	12	0	4	5	13	0	0	29	8	0	16	4	1	129
*** BREAK ***																	
Total	0	9	53	31	0	12	12	25	0	0	64	22	0	26	6	4	264
*** BREAK ***																	
10:30 AM	0	9	24	28	0	6	10	12	1	2	33	15	0	14	8	2	164
10:45 AM	0	5	20	26	0	6	9	16	0	3	25	9	0	23	7	2	151
Total	0	14	44	54	0	12	19	28	1	5	58	24	0	37	15	4	315
11:00 AM	0	7	20	26	0	9	8	17	0	1	38	9	0	21	8	2	166
11:15 AM	0	6	25	18	0	15	10	21	0	2	38	13	0	24	7	2	181
11:30 AM	0	12	26	12	0	12	12	20	0	3	45	11	0	22	12	0	187
11:45 AM	0	7	29	28	0	8	7	25	0	3	33	11	0	18	10	4	183
Total	0	32	100	84	0	44	37	83	0	9	154	44	0	85	37	8	717
12:00 PM	0	5	33	29	0	6	8	27	0	1	27	10	0	32	9	3	190
12:15 PM	0	10	33	14	0	11	9	29	0	0	35	20	0	20	17	2	200
12:30 PM	0	11	30	17	0	12	7	26	0	6	41	14	0	25	14	3	206
12:45 PM	0	3	31	28	0	8	7	20	0	0	48	18	0	38	15	4	220
Total	0	29	127	88	0	37	31	102	0	7	151	62	0	115	55	12	816
01:00 PM	0	11	29	23	0	6	12	14	0	0	32	14	0	21	10	2	174
01:15 PM	0	7	27	12	0	14	4	24	0	0	36	16	0	24	8	0	172
*** BREAK ***																	
Total	0	18	56	35	0	20	16	38	0	0	68	30	0	45	18	2	346
*** BREAK ***																	
02:30 PM	2	11	32	25	0	8	6	25	0	4	52	25	0	34	10	1	235
02:45 PM	0	8	31	23	0	11	11	17	0	1	54	20	0	21	17	2	216
Total	2	19	63	48	0	19	17	42	0	5	106	45	0	55	27	3	451
03:00 PM	0	6	32	18	0	8	3	25	0	1	34	12	0	43	9	3	194
03:15 PM	1	6	23	23	0	9	4	20	0	3	67	20	0	39	6	1	222
03:30 PM	2	18	34	22	0	8	14	25	0	2	50	19	0	43	20	4	261
03:45 PM	0	14	41	15	0	13	7	21	0	5	55	15	0	34	15	5	240
Total	3	44	130	78	0	38	28	91	0	11	206	66	0	159	50	13	917
04:00 PM	0	9	35	24	0	14	10	31	0	3	46	20	0	41	10	5	248
04:15 PM	0	16	29	24	0	12	14	37	0	2	42	15	0	34	11	6	242
04:30 PM	1	17	38	26	0	10	9	33	0	2	58	19	0	31	10	3	257
04:45 PM	0	10	32	25	0	12	7	24	0	1	51	22	0	41	18	3	246
Total	1	52	134	99	0	48	40	125	0	8	197	76	0	147	49	17	993

**Alliant Engineering, Inc**

233 Park Ave Suite 300

Minneapolis, MN 55415

--TRAFFIC DATA

Oakgreen Avenue at South Frontage Road

Ref.Pt.: 19.012

data by : Alliant Inc.

TURN MOVEMENT COUNT

File Name : 306\_Oakgreen Ave & S Frontage Rd

Site Code : 306

Start Date : 11/14/2017

Page No : 2

Groups Printed- Vehicles - Trucks

Start Time	Oakgreen Ave From North				S Frontage Rd From East				Oakgreen Ave From South				S Frontage Rd From West				Int. Total
	Other	Left	Thru	Rght	Other	Left	Thru	Rght	Other	Left	Thru	Rght	Other	Left	Thru	Rght	
05:00 PM	0	15	36	28	0	12	9	32	0	2	58	17	0	41	14	1	265
05:15 PM	1	6	26	22	0	13	13	25	0	0	56	17	0	32	18	4	233
05:30 PM	0	6	24	20	0	14	4	33	0	1	40	11	0	28	6	2	189
05:45 PM	0	5	34	14	0	7	10	24	0	0	42	13	0	23	11	2	185
Total	1	32	120	84	0	46	36	114	0	3	196	58	0	124	49	9	872
Grand Total	8	274	1106	703	0	362	284	787	1	57	1548	494	0	842	332	84	6882
Apprch %	0.4	13.1	52.9	33.6	0	25.3	19.8	54.9	0	2.7	73.7	23.5	0	66.9	26.4	6.7	
Total %	0.1	4	16.1	10.2	0	5.3	4.1	11.4	0	0.8	22.5	7.2	0	12.2	4.8	1.2	
Vehicles	8	267	1074	692	0	352	274	761	1	57	1529	487	0	825	319	79	6725
% Vehicles	100	97.4	97.1	98.4	0	97.2	96.5	96.7	100	100	98.8	98.6	0	98	96.1	94	97.7
Trucks	0	7	32	11	0	10	10	26	0	0	19	7	0	17	13	5	157
% Trucks	0	2.6	2.9	1.6	0	2.8	3.5	3.3	0	0	1.2	1.4	0	2	3.9	6	2.3

**Alliant Engineering, Inc**

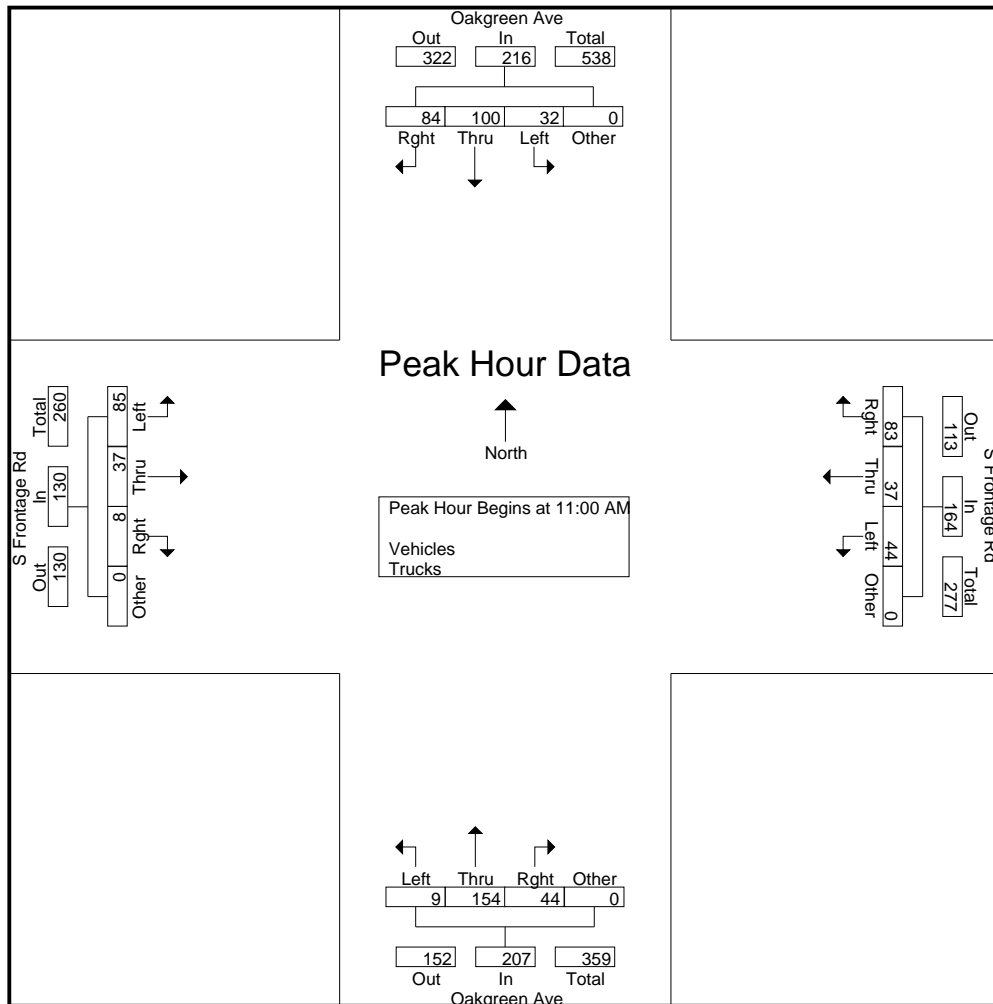
233 Park Ave Suite 300  
 Minneapolis, MN 55415

--TRAFFIC DATA--

Oakgreen Avenue at South Frontage Road  
 Ref.Pt.: 19.012  
 data by : Alliant Inc.  
 TURN MOVEMENT COUNT

File Name : 306\_Oakgreen Ave & S Frontage Rd  
 Site Code : 306  
 Start Date : 11/14/2017  
 Page No : 3

Start Time	Oakgreen Ave From North					S Frontage Rd From East					Oakgreen Ave From South					S Frontage Rd From West					Int. Total
	Other	Left	Thru	Rght	App. Total	Other	Left	Thru	Rght	App. Total	Other	Left	Thru	Rght	App. Total	Other	Left	Thru	Rght	App. Total	
Peak Hour Analysis From 06:00 AM to 11:45 AM - Peak 1 of 1																					
Peak Hour for Entire Intersection Begins at 11:00 AM																					
11:00 AM	0	7	20	26	53	0	9	8	17	34	0	1	38	9	48	0	21	8	2	31	166
11:15 AM	0	6	25	18	49	0	15	10	21	46	0	2	38	13	53	0	24	7	2	33	181
11:30 AM	0	12	26	12	50	0	12	12	20	44	0	3	45	11	59	0	22	12	0	34	187
11:45 AM	0	7	29	28	64	0	8	7	25	40	0	3	33	11	47	0	18	10	4	32	183
Total Volume	0	32	100	84	216	0	44	37	83	164	0	9	154	44	207	0	85	37	8	130	717
% App. Total	0	14.8	46.3	38.9		0	26.8	22.6	50.6		0	4.3	74.4	21.3		0	65.4	28.5	6.2		
PHF	.000	.667	.862	.750	.844	.000	.733	.771	.830	.891	.000	.750	.856	.846	.877	.000	.885	.771	.500	.956	.959



**Alliant Engineering, Inc**

233 Park Ave Suite 300  
 Minneapolis, MN 55415  
 --TRAFFIC DATA--

Oakgreen Avenue at South Frontage Road  
 Ref.Pt.: 19.012  
 data by : Alliant Inc.  
**TURN MOVEMENT COUNT**

File Name : 306\_Oakgreen Ave & S Frontage Rd  
 Site Code : 306  
 Start Date : 11/14/2017  
 Page No : 4

Start Time	Oakgreen Ave From North					S Frontage Rd From East					Oakgreen Ave From South					S Frontage Rd From West					Int. Total
	Other	Left	Thru	Rght	App. Total	Other	Left	Thru	Rght	App. Total	Other	Left	Thru	Rght	App. Total	Other	Left	Thru	Rght	App. Total	
Peak Hour Analysis From 12:00 PM to 05:45 PM - Peak 1 of 1																					
Peak Hour for Entire Intersection Begins at 04:15 PM																					
04:15 PM	0	16	29	24	69	0	12	14	37	63	0	2	42	15	59	0	34	11	6	51	242
04:30 PM	1	17	38	26	82	0	10	9	33	52	0	2	58	19	79	0	31	10	3	44	257
04:45 PM	0	10	32	25	67	0	12	7	24	43	0	1	51	22	74	0	41	18	3	62	246
05:00 PM	0	15	36	28	79	0	12	9	32	53	0	2	58	17	77	0	41	14	1	56	265
Total Volume	1	58	135	103	297	0	46	39	126	211	0	7	209	73	289	0	147	53	13	213	1010
% App. Total	0.3	19.5	45.5	34.7		0	21.8	18.5	59.7		0	2.4	72.3	25.3		0	69	24.9	6.1		
PHF	.250	.853	.888	.920	.905	.000	.958	.696	.851	.837	.000	.875	.901	.830	.915	.000	.896	.736	.542	.859	.953

