

Alliant Engineering Inc Minneapolis, MN 55415

TH-3 at Connemara Trail ROSEMOUNT

Ref.Pt. : 033.817

Alliant Engineering Inc

TURN MOVEMENT COUNT

File Name : 23_TH 3 at Connemara Tr_022510

Site Code : 00000023

Start Date : 2/25/2010

Page No : 1

Groups Printed- Unshifted - Bank 1

Start Time	Robert Trail S (TH3) Southbound				Connemara Trail Westbound				Robert Trail S (TH3) Northbound				Connemara Trail Eastbound				Int. Total
	Left	Thru	Right	Peds	Left	Thru	Right	Peds	Left	Thru	Right	Peds	Left	Thru	Right	Peds	
06:00	3	15	3	0	7	4	32	0	2	62	5	0	6	1	2	0	142
06:15	3	36	4	0	6	6	45	0	2	85	0	0	17	4	9	0	217
06:30	3	44	3	0	16	10	57	0	6	118	5	1	20	2	12	0	297
06:45	15	84	4	0	38	12	71	0	7	121	5	0	22	4	42	0	425
Total	24	179	14	0	67	32	205	0	17	386	15	1	65	11	65	0	1081
07:00	13	101	4	0	42	16	68	0	11	142	10	0	36	10	68	0	521
07:15	9	94	8	0	39	24	66	0	14	193	5	0	29	6	48	0	535
07:30	17	95	9	0	39	21	61	0	9	170	12	0	20	11	49	0	513
07:45	14	93	9	0	28	13	58	0	9	174	10	0	17	18	29	0	472
Total	53	383	30	0	148	74	253	0	43	679	37	0	102	45	194	0	2041
08:00	18	45	6	0	10	19	59	0	7	111	7	0	28	22	9	0	341
08:15	6	45	5	0	10	10	29	0	6	106	5	0	12	6	7	0	247
08:30	10	40	2	0	7	8	28	0	9	74	5	0	12	9	11	0	215
08:45	10	56	9	0	10	7	34	0	1	85	6	0	14	4	7	1	244
Total	44	186	22	0	37	44	150	0	23	376	23	0	66	41	34	1	1047
09:00	3	49	6	0	16	41	46	0	10	76	10	0	24	9	13	0	303
09:15	12	88	7	0	10	7	23	0	16	43	9	0	9	12	16	0	252
*** BREAK ***																	
Total	15	137	13	0	26	48	69	0	26	119	19	0	33	21	29	0	555
*** BREAK ***																	
10:30	6	54	4	0	9	1	7	0	3	61	10	0	7	3	4	0	169
10:45	8	46	5	0	12	6	12	0	11	63	8	0	7	6	8	0	192
Total	14	100	9	0	21	7	19	0	14	124	18	0	14	9	12	0	361
11:00	11	33	8	0	4	4	14	0	7	58	11	0	11	6	16	0	183
11:15	6	48	11	0	11	6	14	0	8	42	10	0	5	4	7	1	173
11:30	9	52	4	0	9	5	14	0	17	45	11	0	8	4	17	0	195
11:45	11	45	6	0	8	7	4	0	10	46	13	0	1	7	6	0	164
Total	37	178	29	0	32	22	46	0	42	191	45	0	25	21	46	1	715
12:00	6	46	9	0	9	4	12	0	21	81	6	0	8	4	12	0	218
12:15	11	65	1	0	10	5	12	0	14	47	10	0	6	5	10	0	196
12:30	7	73	13	0	8	6	9	0	21	58	9	0	2	3	13	0	222
12:45	6	72	9	0	11	1	10	0	10	63	11	0	7	6	16	0	222
Total	30	256	32	0	38	16	43	0	66	249	36	0	23	18	51	0	858
13:00	7	56	4	0	11	4	12	0	13	66	7	0	2	5	10	0	197
13:15	7	61	8	0	5	11	4	0	13	65	7	0	0	6	7	0	194
*** BREAK ***																	
Total	14	117	12	0	16	15	16	0	26	131	14	0	2	11	17	0	391
*** BREAK ***																	
14:30	14	92	11	0	14	8	8	0	28	108	17	0	4	12	12	0	328
14:45	9	92	11	0	12	12	18	0	21	60	12	0	12	14	19	0	292
Total	23	184	22	0	26	20	26	0	49	168	29	0	16	26	31	0	620
15:00	6	78	10	0	11	14	13	0	17	82	11	0	6	9	13	0	270
15:15	12	82	13	0	18	14	15	0	22	67	17	0	7	9	15	0	291
15:30	12	100	16	0	10	7	17	0	13	101	11	1	10	9	11	0	318
15:45	40	110	19	0	13	8	13	0	23	96	9	0	8	10	15	0	364
Total	70	370	58	0	52	43	58	0	75	346	48	1	31	37	54	0	1243

Alliant Engineering Inc Minneapolis, MN 55415

TH-3 at Connemara Trail ROSEMOUNT
 Ref.Pt. : 033.817
 Alliant Engineering Inc
 TURN MOVEMENT COUNT

File Name : 23_TH 3 at Connemara Tr_022510
 Site Code : 00000023
 Start Date : 2/25/2010
 Page No : 2

Groups Printed- Unshifted - Bank 1

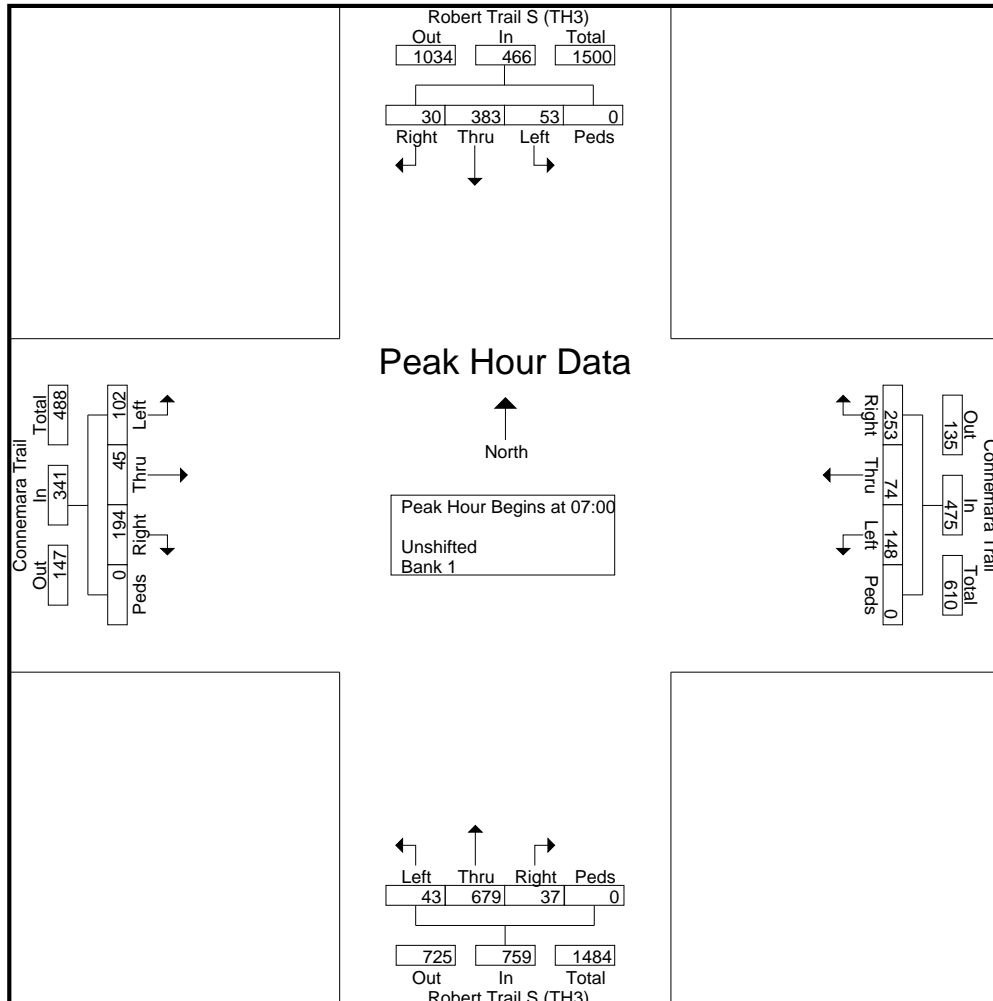
Start Time	Robert Trail S (TH3) Southbound				Connemara Trail Westbound				Robert Trail S (TH3) Northbound				Connemara Trail Eastbound				Int. Total
	Left	Thru	Right	Peds	Left	Thru	Right	Peds	Left	Thru	Right	Peds	Left	Thru	Right	Peds	
16:00	34	104	12	0	8	13	16	0	13	76	13	0	10	12	13	0	324
16:15	33	153	30	0	17	15	15	0	14	76	14	0	8	19	21	0	415
16:30	42	138	31	0	16	18	28	0	14	78	10	1	15	18	13	0	422
16:45	44	151	30	0	11	17	26	0	36	98	27	0	18	28	20	0	506
Total	153	546	103	0	52	63	85	0	77	328	64	1	51	77	67	0	1667
17:00	35	124	29	0	18	22	28	0	19	79	23	0	13	16	16	0	422
17:15	41	154	26	0	11	9	18	0	18	63	17	0	17	10	23	0	407
17:30	37	131	31	0	22	15	24	1	9	69	25	1	7	19	19	0	410
17:45	23	135	19	0	23	19	15	0	20	83	22	0	6	11	27	0	403
Total	136	544	105	0	74	65	85	1	66	294	87	1	43	56	85	0	1642
Grand Total	613	3180	449	0	589	449	1055	1	524	3391	435	4	471	373	685	2	12221
Apprch %	14.5	75	10.6	0	28.1	21.4	50.4	0	12	77.9	10	0.1	30.8	24.4	44.7	0.1	
Total %	5	26	3.7	0	4.8	3.7	8.6	0	4.3	27.7	3.6	0	3.9	3.1	5.6	0	
Unshifted	594	3035	422	0	563	428	1032	1	491	3264	415	4	450	352	643	2	11696
% Unshifted	96.9	95.4	94	0	95.6	95.3	97.8	100	93.7	96.3	95.4	100	95.5	94.4	93.9	100	95.7
Bank 1	19	145	27	0	26	21	23	0	33	127	20	0	21	21	42	0	525
% Bank 1	3.1	4.6	6	0	4.4	4.7	2.2	0	6.3	3.7	4.6	0	4.5	5.6	6.1	0	4.3

Alliant Engineering Inc Minneapolis, MN 55415

TH-3 at Connemara Trail ROSEMOUNT
 Ref.Pt. : 033.817
 Alliant Engineering Inc
 TURN MOVEMENT COUNT

File Name : 23_TH 3 at Connemara Tr_022510
 Site Code : 0000023
 Start Date : 2/25/2010
 Page No : 3

Start Time	Robert Trail S (TH3) Southbound					Connemara Trail Westbound					Robert Trail S (TH3) Northbound					Connemara Trail Eastbound					Int. Total
	Left	Thru	Right	Peds	App. Total	Left	Thru	Right	Peds	App. Total	Left	Thru	Right	Peds	App. Total	Left	Thru	Right	Peds	App. Total	
Peak Hour Analysis From 06:00 to 09:15 - Peak 1 of 1																					
Peak Hour for Entire Intersection Begins at 07:00																					
07:00	13	101	4	0	118	42	16	68	0	126	11	142	10	0	163	36	10	68	0	114	521
07:15	9	94	8	0	111	39	24	66	0	129	14	193	5	0	212	29	6	48	0	83	535
07:30	17	95	9	0	121	39	21	61	0	121	9	170	12	0	191	20	11	49	0	80	513
07:45	14	93	9	0	116	28	13	58	0	99	9	174	10	0	193	17	18	29	0	64	472
Total Volume	53	383	30	0	466	148	74	253	0	475	43	679	37	0	759	102	45	194	0	341	2041
% App. Total	11.4	82.2	6.4	0		31.2	15.6	53.3	0		5.7	89.5	4.9	0		29.9	13.2	56.9	0		
PHF	.779	.948	.833	.000	.963	.881	.771	.930	.000	.921	.768	.880	.771	.000	.895	.708	.625	.713	.000	.748	.954



Alliant Engineering Inc Minneapolis, MN 55415

TH-3 at Connemara Trail ROSEMOUNT
 Ref.Pt. : 033.817
 Alliant Engineering Inc
 TURN MOVEMENT COUNT

File Name : 23_TH 3 at Connemara Tr_022510
 Site Code : 00000023
 Start Date : 2/25/2010
 Page No : 4

Start Time	Robert Trail S (TH3) Southbound					Connemara Trail Westbound					Robert Trail S (TH3) Northbound					Connemara Trail Eastbound					Int. Total
	Left	Thru	Right	Peds	App. Total	Left	Thru	Right	Peds	App. Total	Left	Thru	Right	Peds	App. Total	Left	Thru	Right	Peds	App. Total	
Peak Hour Analysis From 15:00 to 17:45 - Peak 1 of 1																					
Peak Hour for Entire Intersection Begins at 16:15																					
16:15	33	153	30	0	216	17	15	15	0	47	14	76	14	0	104	8	19	21	0	48	415
16:30	42	138	31	0	211	16	18	28	0	62	14	78	10	1	103	15	18	13	0	46	422
16:45	44	151	30	0	225	11	17	26	0	54	36	98	27	0	161	18	28	20	0	66	506
17:00	35	124	29	0	188	18	22	28	0	68	19	79	23	0	121	13	16	16	0	45	422
Total Volume	154	566	120	0	840	62	72	97	0	231	83	331	74	1	489	54	81	70	0	205	1765
% App. Total	18.3	67.4	14.3	0		26.8	31.2	42	0		17	67.7	15.1	0.2		26.3	39.5	34.1	0		
PHF	.875	.925	.968	.000	.933	.861	.818	.866	.000	.849	.576	.844	.685	.250	.759	.750	.723	.833	.000	.777	.872

