

Alliant Engineering Inc Minneapolis, MN 55415

Flying Cloud Drive at S ramp I-494 File Name : 10_Flying Cloud Drive at I-494 South Ramp
 Eden Prairie Site Code : 00000010
 data by: Alliant Engineering Start Date : 10/8/2009
 TURN MOVEMENT COUNT Page No : 1

Groups Printed- Unshifted - Bank 1

Start Time	Flying Cloud Drive (TH 212) Southbound				ramp to I-494 SB/EB Westbound				Flying Cloud Drive (TH 212) Northbound				Technology Drive Eastbound				Int. Total
	Left	Thru	Right	Peds	Left	Thru	Right	Peds	Left	Thru	Right	Peds	Left	Thru	Right	Peds	
06:30	1	98	26	0	0	0	0	0	7	119	40	0	0	0	6	0	297
06:45	4	139	29	0	0	0	0	0	12	155	42	0	4	4	14	0	403
Total	5	237	55	0	0	0	0	0	19	274	82	0	4	4	20	0	700
07:00	3	140	32	0	0	0	0	0	20	196	83	0	9	6	21	0	510
07:15	5	196	28	0	0	0	0	0	15	260	84	0	14	11	21	0	634
07:30	7	219	26	0	0	0	0	0	10	334	94	0	11	9	23	0	733
07:45	5	207	43	0	0	0	0	0	8	315	74	0	17	6	26	0	701
Total	20	762	129	0	0	0	0	0	53	1105	335	0	51	32	91	0	2578
08:00	6	184	39	0	0	0	0	0	13	281	62	0	12	8	24	0	629
08:15	6	181	18	0	0	0	0	0	7	233	82	0	12	5	25	0	569
08:30	11	186	37	0	0	0	0	0	14	215	74	0	8	8	20	0	573
08:45	9	213	36	0	0	0	0	0	11	161	67	0	10	5	18	0	530
Total	32	764	130	0	0	0	0	0	45	890	285	0	42	26	87	0	2301
09:00	4	170	26	0	0	0	0	0	12	173	47	0	6	8	28	0	474
09:15	7	161	33	0	0	0	0	0	15	134	62	0	8	6	22	0	448
*** BREAK ***																	
Total	11	331	59	0	0	0	0	0	27	307	109	0	14	14	50	0	922
*** BREAK ***																	
10:30	2	150	32	0	0	0	0	1	35	122	75	1	11	17	52	0	498
10:45	1	196	26	0	0	0	0	0	33	122	82	0	10	21	45	0	536
Total	3	346	58	0	0	0	0	1	68	244	157	1	21	38	97	0	1034
11:00	4	245	30	0	0	0	0	0	35	149	71	0	14	20	58	0	626
11:15	6	306	39	0	0	0	0	0	40	180	73	0	16	31	55	0	746
11:30	2	363	35	0	0	0	0	0	55	201	61	0	22	22	65	0	826
11:45	2	409	38	0	0	0	0	0	46	206	87	0	29	28	86	0	931
Total	14	1323	142	0	0	0	0	0	176	736	292	0	81	101	264	0	3129
12:00	4	327	42	0	0	0	0	0	40	258	75	0	24	26	89	0	885
12:15	4	322	21	0	0	0	0	0	42	309	80	0	19	18	51	0	866
12:30	3	305	39	0	0	0	0	0	50	304	93	0	30	26	66	0	916
12:45	4	285	21	0	0	0	0	0	42	310	86	0	33	28	47	0	856
Total	15	1239	123	0	0	0	0	0	174	1181	334	0	106	98	253	0	3523
13:00	7	238	19	0	0	0	0	0	63	275	86	0	22	28	52	0	790
13:15	5	223	39	0	0	0	0	0	44	255	90	0	22	36	40	0	754
*** BREAK ***																	
Total	12	461	58	0	0	0	0	0	107	530	176	0	44	64	92	0	1544
*** BREAK ***																	
14:30	1	167	38	2	0	0	0	0	39	158	67	1	11	38	58	0	580
14:45	6	219	38	1	0	0	0	0	55	167	59	0	15	33	42	0	635
Total	7	386	76	3	0	0	0	0	94	325	126	1	26	71	100	0	1215
15:00	7	203	36	0	0	0	0	1	29	159	77	1	12	46	50	0	621
15:15	3	219	32	0	0	0	0	1	38	177	81	0	9	32	53	0	645
15:30	7	270	40	0	0	0	0	0	40	185	85	0	15	21	56	0	719
15:45	6	266	38	0	0	0	0	0	47	160	76	0	10	21	45	0	669
Total	23	958	146	0	0	0	0	2	154	681	319	1	46	120	204	0	2654
16:00	5	322	49	0	0	0	0	0	45	199	78	0	7	31	73	0	809
16:15	3	357	56	1	0	0	0	0	33	149	55	0	11	27	77	0	769
16:30	3	372	49	0	0	0	0	0	59	188	59	0	22	33	64	2	851
16:45	4	414	73	0	0	0	0	1	46	188	53	0	22	27	59	0	887
Total	15	1465	227	1	0	0	0	1	183	724	245	0	62	118	273	2	3316

Alliant Engineering Inc Minneapolis, MN 55415

Flying Cloud Drive at S ramp I-494 File Name : 10_Flying Cloud Drive at I-494 South Ramp Technology Drive
 Eden Prairie Site Code : 00000010
 data by: Alliant Engineering Start Date : 10/8/2009
 TURN MOVEMENT COUNT Page No : 2

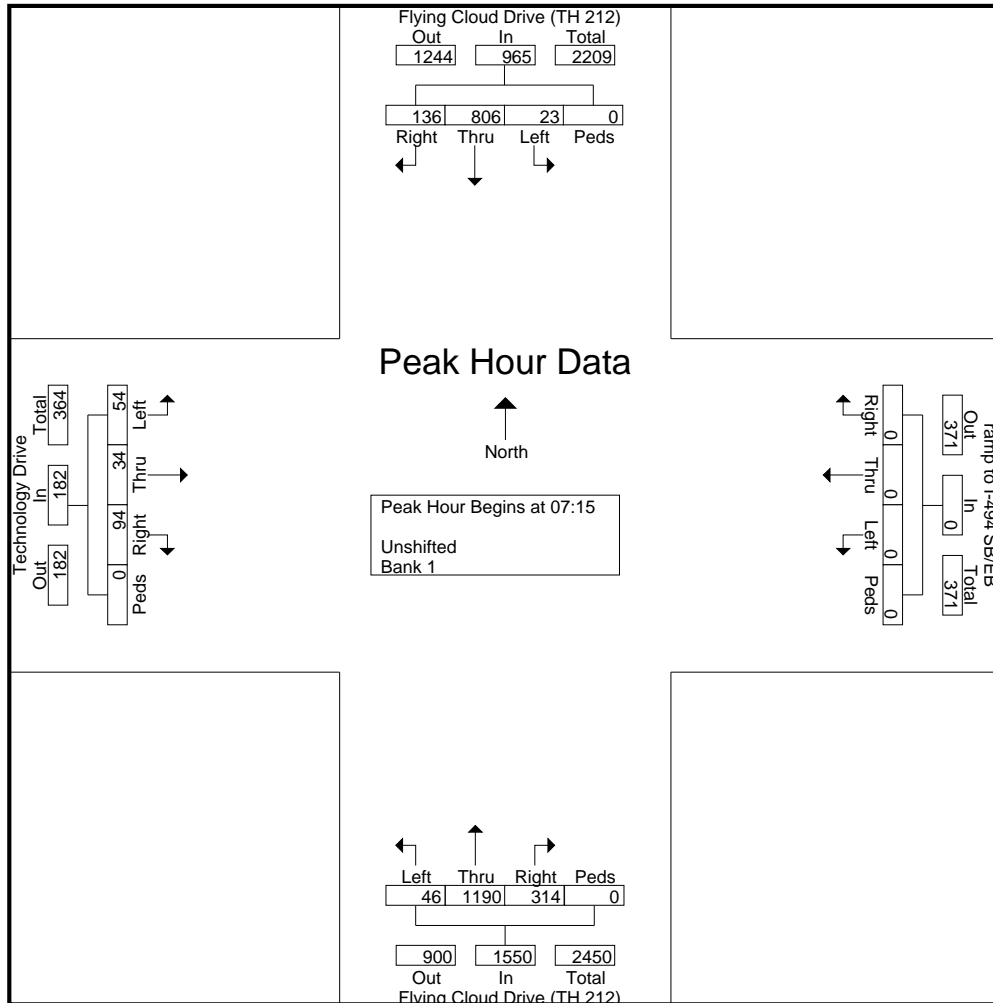
Groups Printed- Unshifted - Bank 1

Start Time	Flying Cloud Drive (TH 212) Southbound				ramp to I-494 SB/EB Westbound				Flying Cloud Drive (TH 212) Northbound				Technology Drive Eastbound				Int. Total
	Left	Thru	Right	Peds	Left	Thru	Right	Peds	Left	Thru	Right	Peds	Left	Thru	Right	Peds	
17:00	4	404	64	0	0	0	0	2	38	193	80	1	14	21	83	0	904
17:15	2	415	86	0	0	0	0	0	67	174	71	0	23	21	88	0	947
17:30	4	456	75	0	0	0	0	1	58	191	70	0	17	31	70	0	973
17:45	3	342	44	0	0	0	0	0	42	188	64	0	17	18	68	0	786
Total	13	1617	269	0	0	0	0	3	205	746	285	1	71	91	309	0	3610
18:00	6	316	48	0	0	0	0	0	57	193	65	0	13	24	70	0	792
18:15	4	272	37	0	0	0	0	0	52	165	92	0	14	19	69	0	724
18:30	0	232	32	0	0	0	0	0	37	172	68	1	14	20	66	0	642
18:45	7	235	35	0	0	0	0	2	46	147	72	0	12	22	52	0	630
Total	17	1055	152	0	0	0	0	2	192	677	297	1	53	85	257	0	2788
Grand Total	187	10944	1624	4	0	0	0	9	1497	8420	3042	5	621	862	2097	2	29314
Apprch %	1.5	85.8	12.7	0	0	0	0	100	11.5	64.9	23.5	0	17.3	24.1	58.5	0.1	
Total %	0.6	37.3	5.5	0	0	0	0	0	5.1	28.7	10.4	0	2.1	2.9	7.2	0	
Unshifted	184	10748	1607	4	0	0	0	9	1484	8291	2980	5	615	856	2081	2	28866
% Unshifted	98.4	98.2	99	100	0	0	0	100	99.1	98.5	98	100	99	99.3	99.2	100	98.5
Bank 1	3	196	17	0	0	0	0	0	13	129	62	0	6	6	16	0	448
% Bank 1	1.6	1.8	1	0	0	0	0	0	0.9	1.5	2	0	1	0.7	0.8	0	1.5

Alliant Engineering Inc Minneapolis, MN 55415

Flying Cloud Drive at S ramp I-494 File Name : 10_Flying Cloud Drive at I-494 South Ramp
 Eden Prairie Site Code : 00000010
 data by: Alliant Engineering Start Date : 10/8/2009
 TURN MOVEMENT COUNT Page No : 3

Start Time	Flying Cloud Drive (TH 212) Southbound					ramp to I-494 SB/EB Westbound					Flying Cloud Drive (TH 212) Northbound					Technology Drive Eastbound					Int. Total
	Left	Thru	Right	Peds	App. Total	Left	Thru	Right	Peds	App. Total	Left	Thru	Right	Peds	App. Total	Left	Thru	Right	Peds	App. Total	
Peak Hour Analysis From 06:30 to 09:15 - Peak 1 of 1																					
Peak Hour for Entire Intersection Begins at 07:15																					
07:15	5	196	28	0	229	0	0	0	0	0	15	260	84	0	359	14	11	21	0	46	634
07:30	7	219	26	0	252	0	0	0	0	0	10	334	94	0	438	11	9	23	0	43	733
07:45	5	207	43	0	255	0	0	0	0	0	8	315	74	0	397	17	6	26	0	49	701
08:00	6	184	39	0	229	0	0	0	0	0	13	281	62	0	356	12	8	24	0	44	629
Total Volume	23	806	136	0	965	0	0	0	0	0	46	1190	314	0	1550	54	34	94	0	182	2697
% App. Total	2.4	83.5	14.1	0		0	0	0	0		3	76.8	20.3	0		29.7	18.7	51.6	0		
PHF	.821	.920	.791	.000	.946	.000	.000	.000	.000	.000	.767	.891	.835	.000	.885	.794	.773	.904	.000	.929	.920



Alliant Engineering Inc Minneapolis, MN 55415

Flying Cloud Drive at S ramp I-494 File Name : 10_Flying Cloud Drive at I-494 South Ramp
 Eden Prairie Site Code : 00000010
 data by: Alliant Engineering Start Date : 10/8/2009
 TURN MOVEMENT COUNT Page No : 4

Start Time	Flying Cloud Drive (TH 212) Southbound					ramp to I-494 SB/EB Westbound					Flying Cloud Drive (TH 212) Northbound					Technology Drive Eastbound					Int. Total
	Left	Thru	Right	Peds	App. Total	Left	Thru	Right	Peds	App. Total	Left	Thru	Right	Peds	App. Total	Left	Thru	Right	Peds	App. Total	
Peak Hour Analysis From 14:30 to 18:45 - Peak 1 of 1																					
Peak Hour for Entire Intersection Begins at 16:45																					
16:45	4	414	73	0	491	0	0	0	1	1	46	188	53	0	287	22	27	59	0	108	887
17:00	4	404	64	0	472	0	0	0	2	2	38	193	80	1	312	14	21	83	0	118	904
17:15	2	415	86	0	503	0	0	0	0	0	67	174	71	0	312	23	21	88	0	132	947
17:30	4	456	75	0	535	0	0	0	1	1	58	191	70	0	319	17	31	70	0	118	973
Total Volume	14	1689	298	0	2001	0	0	0	4	4	209	746	274	1	1230	76	100	300	0	476	3711
% App. Total	0.7	84.4	14.9	0		0	0	0	100		17	60.7	22.3	0.1		16	21	63	0		
PHF	.875	.926	.866	.000	.935	.000	.000	.000	.500	.500	.780	.966	.856	.250	.964	.826	.806	.852	.000	.902	.953

