

Alliant Engineering Inc Minneapolis, MN 55415

Flying Cloud Drive at Prairie Center Dr.
Eden Prairie
data by: Alliant Engineering
TURN MOVEMENT COUNT

File Name : 06_Flying Cloud Drive at Prairie Center Drive
Site Code : 00000006
Start Date : 10/7/2009
Page No : 1

Groups Printed- Unshifted - Bank 1

Start Time	Flying Cloud Drive (TH 212) Southbound				Prairie Center Drive Westbound				Flying Cloud Drive (TH 212) Northbound				Prairie Center Drive Eastbound				Int. Total
	Left	Thru	Right	Peds	Left	Thru	Right	Peds	Left	Thru	Right	Peds	Left	Thru	Right	Peds	
06:30	0	66	2	0	8	35	3	0	31	139	23	0	4	20	20	0	351
06:45	1	99	8	1	11	54	4	1	65	206	30	0	5	27	26	0	538
Total	1	165	10	1	19	89	7	1	96	345	53	0	9	47	46	0	889
07:00	9	70	6	0	16	73	5	0	51	243	38	0	5	19	14	0	549
07:15	6	133	7	0	20	76	17	0	61	335	72	0	12	43	33	0	815
07:30	12	139	5	0	25	70	11	0	69	342	74	0	9	35	39	0	830
07:45	16	148	11	2	33	92	15	0	81	330	70	0	4	61	50	0	913
Total	43	490	29	2	94	311	48	0	262	1250	254	0	30	158	136	0	3107
08:00	7	106	6	0	27	57	15	0	74	268	66	0	9	53	24	0	712
08:15	25	90	3	1	23	45	15	1	51	215	30	2	15	61	27	0	604
08:30	10	136	8	1	24	67	14	0	51	189	49	0	15	37	40	0	641
08:45	8	87	12	1	20	49	7	0	42	193	50	1	18	66	40	0	594
Total	50	419	29	3	94	218	51	1	218	865	195	3	57	217	131	0	2551
09:00	4	98	6	0	28	49	11	1	33	149	27	0	14	53	29	0	502
09:15	4	110	7	2	17	42	12	0	34	135	40	0	9	55	43	0	510
*** BREAK ***																	
Total	8	208	13	2	45	91	23	1	67	284	67	0	23	108	72	0	1012
*** BREAK ***																	
10:30	19	78	8	4	30	64	15	0	39	125	34	1	31	74	27	0	549
10:45	20	92	12	0	48	62	18	0	35	116	26	0	33	90	31	0	583
Total	39	170	20	4	78	126	33	0	74	241	60	1	64	164	58	0	1132
11:00	26	122	12	4	38	83	14	0	45	138	30	0	24	95	26	0	657
11:15	32	91	21	0	52	102	21	0	56	179	60	1	50	121	40	0	826
11:30	40	141	21	1	52	100	31	0	53	215	45	0	40	138	44	2	923
11:45	52	150	26	2	65	117	29	0	51	165	54	0	67	153	50	2	983
Total	150	504	80	7	207	402	95	0	205	697	189	1	181	507	160	4	3389
12:00	41	138	27	0	76	117	31	0	82	166	58	0	41	125	46	0	948
12:15	44	165	19	0	73	131	35	0	62	153	60	0	58	131	54	0	985
12:30	42	142	26	1	84	151	26	0	66	153	62	0	50	150	54	0	1007
12:45	31	164	39	1	61	113	37	1	58	182	65	0	51	119	48	0	970
Total	158	609	111	2	294	512	129	1	268	654	245	0	200	525	202	0	3910
13:00	43	137	22	3	63	116	34	0	52	141	47	2	54	114	56	1	885
13:15	41	130	14	0	63	90	32	2	63	154	61	0	31	112	51	0	844
*** BREAK ***																	
Total	84	267	36	3	126	206	66	2	115	295	108	2	85	226	107	1	1729
*** BREAK ***																	
14:30	22	110	15	2	72	92	16	2	42	126	27	0	23	78	59	0	686
14:45	37	139	14	0	57	95	17	0	35	137	34	1	31	93	36	0	726
Total	59	249	29	2	129	187	33	2	77	263	61	1	54	171	95	0	1412
15:00	29	140	16	0	64	69	14	0	36	142	26	0	56	109	48	0	749
15:15	23	127	20	0	66	86	21	0	41	140	31	1	22	110	53	0	741
15:30	24	166	20	0	62	83	18	1	29	146	39	0	44	98	46	0	776
15:45	19	213	19	1	51	65	18	1	43	122	38	1	30	57	76	0	754
Total	95	646	75	1	243	303	71	2	149	550	134	2	152	374	223	0	3020
16:00	28	216	19	0	73	92	18	0	36	128	29	0	31	96	65	2	833
16:15	23	181	17	0	95	106	13	0	29	112	38	1	39	125	76	0	855
16:30	28	234	22	1	97	91	14	2	30	163	39	0	32	107	91	0	951
16:45	35	278	24	0	84	115	13	1	46	153	34	0	30	118	103	0	1034
Total	114	909	82	1	349	404	58	3	141	556	140	1	132	446	335	2	3673

Alliant Engineering Inc Minneapolis, MN 55415

Flying Cloud Drive at Prairie Center Dr.
Eden Prairie
data by: Alliant Engineering
TURN MOVEMENT COUNT

File Name : 06_Flying Cloud Drive at Prairie Center Drive
Site Code : 00000006
Start Date : 10/7/2009
Page No : 2

Groups Printed- Unshifted - Bank 1

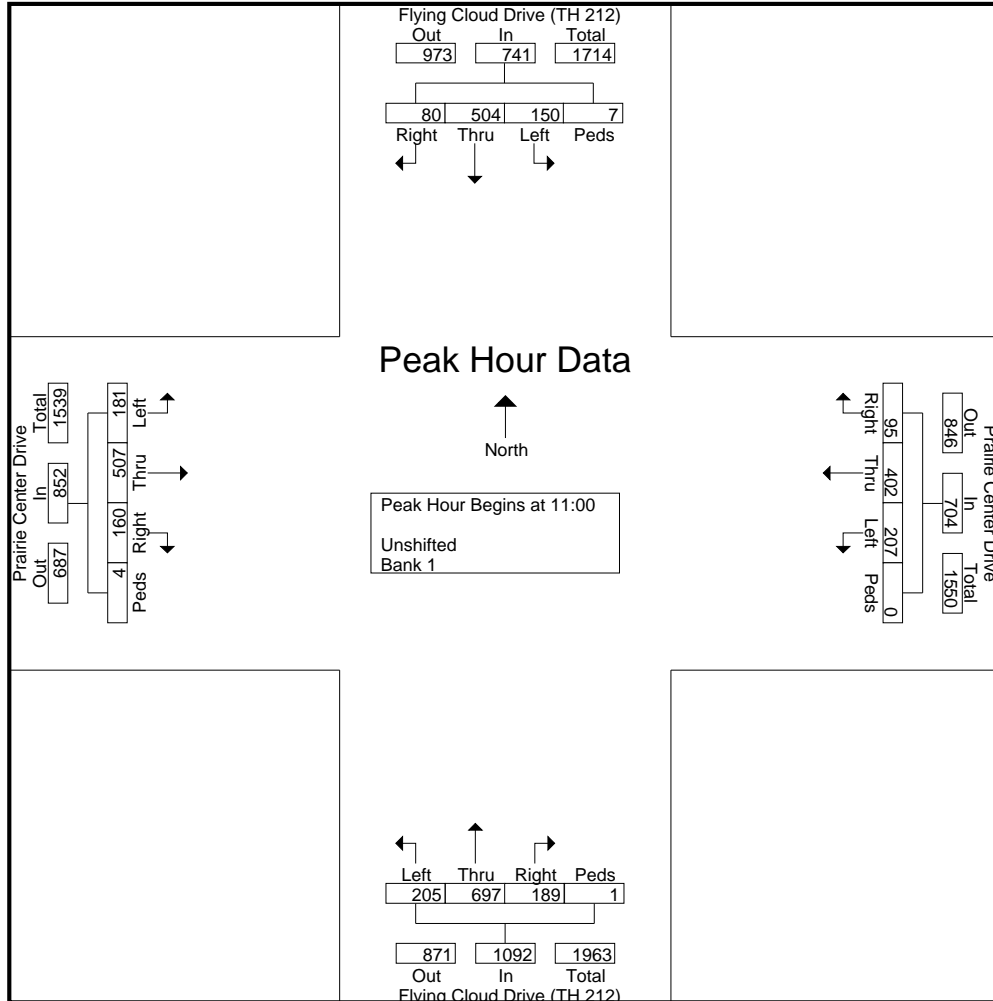
Start Time	Flying Cloud Drive (TH 212) Southbound				Prairie Center Drive Westbound				Flying Cloud Drive (TH 212) Northbound				Prairie Center Drive Eastbound				Int. Total
	Left	Thru	Right	Peds	Left	Thru	Right	Peds	Left	Thru	Right	Peds	Left	Thru	Right	Peds	
17:00	40	269	26	2	120	151	21	1	48	164	44	0	32	135	99	0	1152
17:15	41	289	25	0	136	132	25	0	46	177	38	3	24	151	79	3	1169
17:30	41	281	30	0	121	102	15	0	58	170	43	0	45	108	78	0	1092
17:45	57	213	23	1	97	114	20	0	43	130	45	0	46	136	83	0	1008
Total	179	1052	104	3	474	499	81	1	195	641	170	3	147	530	339	3	4421
18:00	27	211	25	1	97	104	18	0	51	142	33	0	53	107	75	0	944
18:15	25	154	18	1	72	106	22	0	49	148	33	0	35	87	55	0	805
18:30	43	152	21	0	69	90	14	2	33	148	30	0	37	108	49	0	796
18:45	27	148	20	4	52	81	20	0	31	145	33	0	43	104	40	0	748
Total	122	665	84	6	290	381	74	2	164	583	129	0	168	406	219	0	3293
Grand Total	1102	6353	702	37	2442	3729	769	16	2031	7224	1805	14	1302	3879	2123	10	33538
Apprch %	13.4	77.5	8.6	0.5	35.1	53.6	11.1	0.2	18.3	65.2	16.3	0.1	17.8	53	29	0.1	
Total %	3.3	18.9	2.1	0.1	7.3	11.1	2.3	0	6.1	21.5	5.4	0	3.9	11.6	6.3	0	
Unshifted	1093	6230	695	37	2415	3684	763	16	2004	7091	1790	14	1289	3829	2077	10	33037
% Unshifted	99.2	98.1	99	100	98.9	98.8	99.2	100	98.7	98.2	99.2	100	99	98.7	97.8	100	98.5
Bank 1	9	123	7	0	27	45	6	0	27	133	15	0	13	50	46	0	501
% Bank 1	0.8	1.9	1	0	1.1	1.2	0.8	0	1.3	1.8	0.8	0	1	1.3	2.2	0	1.5

Alliant Engineering Inc Minneapolis, MN 55415

Flying Cloud Drive at Prairie Center Dr.
Eden Prarie
data by: Alliant Engineering
TURN MOVEMENT COUNT

File Name : 06_Flying Cloud Drive at Prairie Center Drive
Site Code : 00000006
Start Date : 10/7/2009
Page No : 3

Start Time	Flying Cloud Drive (TH 212) Southbound					Prairie Center Drive Westbound					Flying Cloud Drive (TH 212) Northbound					Prairie Center Drive Eastbound					Int. Total
	Left	Thru	Right	Peds	App. Total	Left	Thru	Right	Peds	App. Total	Left	Thru	Right	Peds	App. Total	Left	Thru	Right	Peds	App. Total	
Peak Hour Analysis From 06:30 to 11:45 - Peak 1 of 1																					
Peak Hour for Entire Intersection Begins at 11:00																					
11:00	26	122	12	4	164	38	83	14	0	135	45	138	30	0	213	24	95	26	0	145	657
11:15	32	91	21	0	144	52	102	21	0	175	56	179	60	1	296	50	121	40	0	211	826
11:30	40	141	21	1	203	52	100	31	0	183	53	215	45	0	313	40	138	44	2	224	923
11:45	52	150	26	2	230	65	117	29	0	211	51	165	54	0	270	67	153	50	2	272	983
Total Volume	150	504	80	7	741	207	402	95	0	704	205	697	189	1	1092	181	507	160	4	852	3389
% App. Total	20.2	68	10.8	0.9		29.4	57.1	13.5	0		18.8	63.8	17.3	0.1		21.2	59.5	18.8	0.5		
PHF	.721	.840	.769	.438	.805	.796	.859	.766	.000	.834	.915	.810	.788	.250	.872	.675	.828	.800	.500	.783	.862



Alliant Engineering Inc Minneapolis, MN 55415

Flying Cloud Drive at Prairie Center Dr.
Eden Prairie
data by: Alliant Engineering
TURN MOVEMENT COUNT

File Name : 06_Flying Cloud Drive at Prairie Center Drive
Site Code : 00000006
Start Date : 10/7/2009
Page No : 4

Start Time	Flying Cloud Drive (TH 212) Southbound					Prairie Center Drive Westbound					Flying Cloud Drive (TH 212) Northbound					Prairie Center Drive Eastbound					Int. Total
	Left	Thru	Right	Peds	App. Total	Left	Thru	Right	Peds	App. Total	Left	Thru	Right	Peds	App. Total	Left	Thru	Right	Peds	App. Total	
Peak Hour Analysis From 12:00 to 18:45 - Peak 1 of 1																					
Peak Hour for Entire Intersection Begins at 16:45																					
16:45	35	278	24	0	337	84	115	13	1	213	46	153	34	0	233	30	118	103	0	251	1034
17:00	40	269	26	2	337	120	151	21	1	293	48	164	44	0	256	32	135	99	0	266	1152
17:15	41	289	25	0	355	136	132	25	0	293	46	177	38	3	264	24	151	79	3	257	1169
17:30	41	281	30	0	352	121	102	15	0	238	58	170	43	0	271	45	108	78	0	231	1092
Total Volume	157	1117	105	2	1381	461	500	74	2	1037	198	664	159	3	1024	131	512	359	3	1005	4447
% App. Total	11.4	80.9	7.6	0.1		44.5	48.2	7.1	0.2		19.3	64.8	15.5	0.3		13	50.9	35.7	0.3		
PHF	.957	.966	.875	.250	.973	.847	.828	.740	.500	.885	.853	.938	.903	.250	.945	.728	.848	.871	.250	.945	.951

