

Albeck Gerken, Inc

Transportation Engineers

Traffic Data Collection

Anderson Lakes Pkwy at Columbine Rd

File Name : Anderson Lakes Pkwy at Columbine Rd 2005

Ref.Pt. Eden Prairie

Site Code : 00000000

Data by: Albeck Gerken Inc

Start Date : 8/23/2005

TURN MOVEMENT COUNT -

Page No : 1

Groups Printed- Unshifted

Start Time	COLUMBINE ROAD Southbound				ANDERSON LAKES PKWY Westbound				COLUMBINE RD. Northbound				ANDERSON LAKES PKWY Eastbound				Int. Total
	Left	Thru	Right	Peds	Left	Thru	Right	Peds	Left	Thru	Right	Peds	Left	Thru	Right	Peds	
06:30	9	3	0	0	20	38	5	0	7	3	12	0	6	47	6	0	156
06:45	6	4	2	0	32	39	6	0	5	2	13	0	6	31	27	0	173
Total	15	7	2	0	52	77	11	0	12	5	25	0	12	78	33	0	329
07:00	9	7	2	0	47	27	8	0	10	2	32	3	9	53	19	0	228
07:15	6	1	7	0	66	41	6	0	7	2	22	0	2	63	22	0	245
07:30	18	4	4	0	68	55	10	0	4	2	22	0	7	60	26	0	280
07:45	13	13	6	0	81	55	11	0	7	3	25	0	5	67	69	0	355
Total	46	25	19	0	262	178	35	0	28	9	101	3	23	243	136	0	1108
08:00	7	7	3	0	76	50	5	0	9	7	20	0	11	68	31	1	295
08:15	13	6	3	0	59	38	6	0	5	1	11	0	2	57	22	0	223
BREAK																	
Total	20	13	6	0	135	88	11	0	14	8	31	0	13	125	53	1	518
BREAK																	
11:30	21	5	6	0	35	53	14	0	25	12	47	1	11	62	9	0	301
11:45	12	7	8	0	41	44	16	0	32	8	35	0	8	43	12	0	266
Total	33	12	14	0	76	97	30	0	57	20	82	1	19	105	21	0	567
12:00	17	8	11	0	25	43	18	0	26	18	48	0	15	53	10	0	292
12:15	24	3	8	0	59	50	20	0	20	12	42	0	18	55	11	0	322
12:30	30	12	7	0	56	42	15	0	26	9	39	0	14	57	19	0	326
12:45	30	6	8	0	52	46	4	0	15	4	17	0	10	47	22	0	261
Total	101	29	34	0	192	181	57	0	87	43	146	0	57	212	62	0	1201
13:00	11	11	7	0	53	60	9	0	23	21	28	0	14	51	12	0	300
13:15	19	12	7	0	49	48	12	0	26	8	24	0	10	47	12	0	274
BREAK																	
Total	30	23	14	0	102	108	21	0	49	29	52	0	24	98	24	0	574
BREAK																	
16:00	22	5	5	0	18	55	14	0	22	5	51	0	12	67	12	0	288
16:15	15	5	8	0	27	63	18	0	18	4	18	0	10	60	6	0	252
16:30	15	2	16	0	26	73	23	0	38	6	64	0	20	67	5	0	355
16:45	22	6	14	0	23	65	20	0	31	10	33	0	13	90	14	0	341
Total	74	18	43	0	94	256	75	0	109	25	166	0	55	284	37	0	1236
17:00	19	6	9	0	27	83	34	0	75	33	110	0	11	86	11	0	504
17:15	22	5	10	0	33	88	13	0	37	7	33	0	13	73	12	0	346
17:30	17	5	14	0	45	83	13	0	42	5	49	0	13	97	20	1	404
Grand Total	377	143	165	0	1018	1239	300	0	510	184	795	4	240	1401	409	2	6787
Apprch %	55	20.9	24.1	0	39.8	48.5	11.7	0	34.2	12.3	53.2	0.3	11.7	68.3	19.9	0.1	
Total %	5.6	2.1	2.4	0	15	18.3	4.4	0	7.5	2.7	11.7	0.1	3.5	20.6	6	0	

Albeck Gerken, Inc

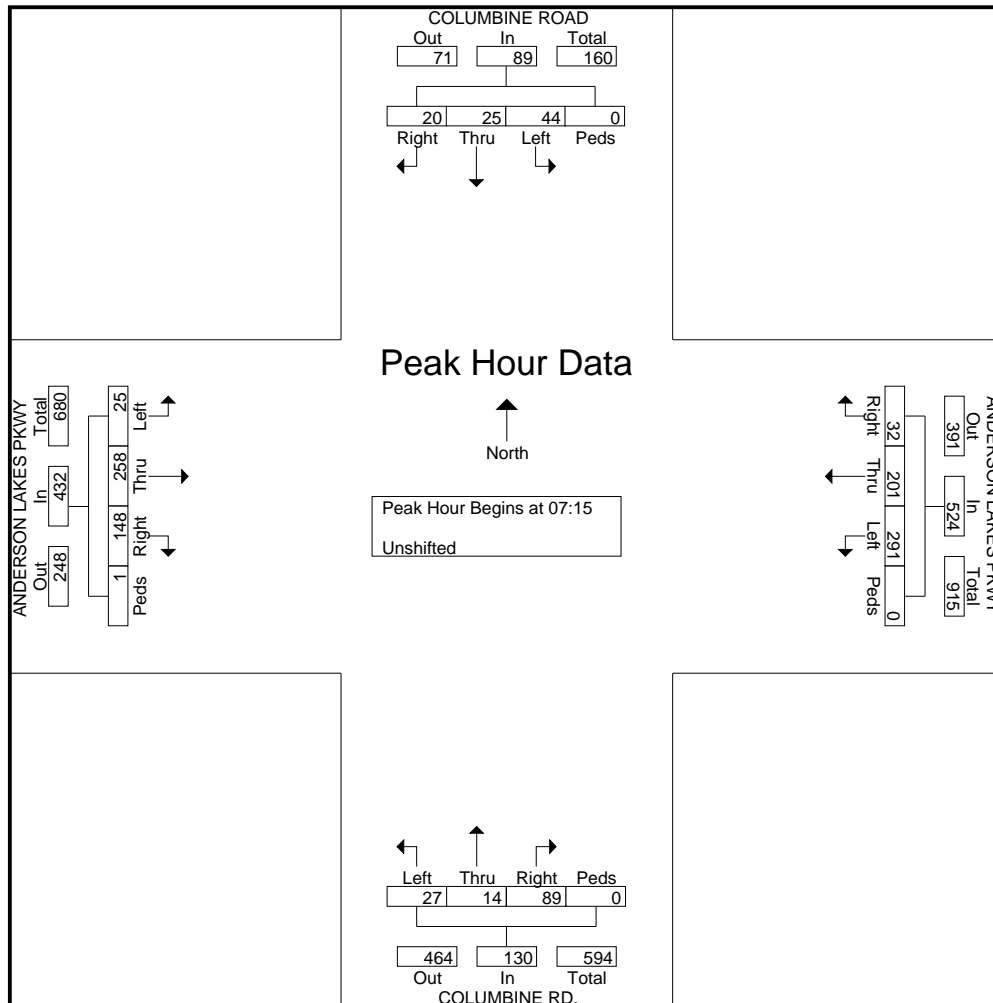
Transportation Engineers

Traffic Data Collection

Anderson Lakes Pkwy at Columbine Rd
 Ref.Pt. Eden Prairie
 Data by: Albeck Gerken Inc
 TURN MOVEMENT COUNT -

File Name : Anderson Lakes Pkwy at Columbine Rd 2005
 Site Code : 00000000
 Start Date : 8/23/2005
 Page No : 2

Start Time	COLUMBINE ROAD Southbound					ANDERSON LAKES PKWY Westbound					COLUMBINE RD. Northbound					ANDERSON LAKES PKWY Eastbound					Int. Total
	Left	Thru	Right	Peds	App. Total	Left	Thru	Right	Peds	App. Total	Left	Thru	Right	Peds	App. Total	Left	Thru	Right	Peds	App. Total	
Peak Hour Analysis From 06:30 to 08:15 - Peak 1 of 1																					
Peak Hour for Entire Intersection Begins at 07:15																					
07:15	6	1	7	0	14	66	41	6	0	113	7	2	22	0	31	2	63	22	0	87	245
07:30	18	4	4	0	26	68	55	10	0	133	4	2	22	0	28	7	60	26	0	93	280
07:45	13	13	6	0	32	81	55	11	0	147	7	3	25	0	35	5	67	69	0	141	355
08:00	7	7	3	0	17	76	50	5	0	131	9	7	20	0	36	11	68	31	1	111	295
Total Volume	44	25	20	0	89	291	201	32	0	524	27	14	89	0	130	25	258	148	1	432	1175
% App. Total	49.4	28.1	22.5	0		55.5	38.4	6.1	0		20.8	10.8	68.5	0		5.8	59.7	34.3	0.2		
PHF	.611	.481	.714	.000	.695	.898	.914	.727	.000	.891	.750	.500	.890	.000	.903	.568	.949	.536	.250	.766	.827



Albeck Gerken, Inc

Transportation Engineers

Traffic Data Collection

Anderson Lakes Pkwy at Columbine Rd
 Ref.Pt. Eden Prairie
 Data by: Albeck Gerken Inc
 TURN MOVEMENT COUNT -

File Name : Anderson Lakes Pkwy at Columbine Rd 2005
 Site Code : 00000000
 Start Date : 8/23/2005
 Page No : 3

Start Time	COLUMBINE ROAD Southbound					ANDERSON LAKES PKWY Westbound					COLUMBINE RD. Northbound					ANDERSON LAKES PKWY Eastbound					Int. Total
	Left	Thru	Right	Peds	App. Total	Left	Thru	Right	Peds	App. Total	Left	Thru	Right	Peds	App. Total	Left	Thru	Right	Peds	App. Total	
Peak Hour Analysis From 16:00 to 17:30 - Peak 1 of 1																					
Peak Hour for Entire Intersection Begins at 16:45																					
16:45	22	6	14	0	42	23	65	20	0	108	31	10	33	0	74	13	90	14	0	117	341
17:00	19	6	9	0	34	27	83	34	0	144	75	33	110	0	218	11	86	11	0	108	504
17:15	22	5	10	0	37	33	88	13	0	134	37	7	33	0	77	13	73	12	0	98	346
17:30	17	5	14	0	36	45	83	13	0	141	42	5	49	0	96	13	97	20	1	131	404
Total Volume	80	22	47	0	149	128	319	80	0	527	185	55	225	0	465	50	346	57	1	454	1595
% App. Total	53.7	14.8	31.5	0		24.3	60.5	15.2	0		39.8	11.8	48.4	0		11	76.2	12.6	0.2		
PHF	.909	.917	.839	.000	.887	.711	.906	.588	.000	.915	.617	.417	.511	.000	.533	.962	.892	.713	.250	.866	.791

