



MINNESOTA DEPT OF TRANSPORTATION
TRAFFIC DATA COLLECTION - METRO

Location: TH 212 @ TH 812C 2006
 REF. PT.: 151+00.894
 Jamar# D4-3358/RF
 TURN MOVEMENT COUNT

File Name : TH 212 @ TH 812C 2006
 Site Code : 00000000
 Start Date : 1/12/2006
 Page No : 1

Groups Printed- Cars & Trucks

Start Time	N/A Southbound					TH212 Westbound					TH 812C Northbound					TH212 Eastbound					Int. Total
	Left	Thru	Right	Peds	App. Total	Left	Thru	Right	Peds	App. Total	Left	Thru	Right	Peds	App. Total	Left	Thru	Right	Peds	App. Total	
06:00	0	0	0	0	0	0	6	16	1	23	0	60	0	0	60	145	0	0	0	145	228
06:15	0	0	0	0	0	0	18	30	0	48	0	116	0	0	116	175	0	0	0	175	339
06:30	0	0	0	0	0	0	12	28	0	40	0	181	0	0	181	230	0	0	0	230	451
06:45	0	0	0	0	0	0	17	41	0	58	0	180	0	0	180	229	0	0	0	229	467
Total	0	0	0	0	0	0	53	115	1	169	0	537	0	0	537	779	0	0	0	779	1485
07:00	0	0	0	0	0	0	4	39	0	43	0	183	0	0	183	222	0	0	0	222	448
07:15	0	0	0	0	0	0	28	75	0	103	0	177	0	0	177	243	0	0	0	243	523
07:30	0	0	0	0	0	0	33	45	0	78	0	218	0	0	218	214	0	0	0	214	510
07:45	0	0	0	0	0	0	29	55	0	84	0	158	0	0	158	179	0	0	0	179	421
Total	0	0	0	0	0	0	94	214	0	308	0	736	0	0	736	858	0	0	0	858	1902
08:00	0	0	0	0	0	0	26	30	0	56	0	129	0	0	129	177	0	0	0	177	362
08:15	0	0	0	0	0	0	24	50	0	74	0	94	0	0	94	130	0	0	0	130	298
08:30	0	0	0	0	0	0	22	30	0	52	0	85	0	0	85	123	0	0	0	123	260
08:45	0	0	0	0	0	0	31	36	0	67	1	88	0	0	89	113	0	0	0	113	269
Total	0	0	0	0	0	0	103	146	0	249	1	396	0	0	397	543	0	0	0	543	1189
15:00	0	0	0	0	0	0	84	101	0	185	0	45	0	0	45	63	0	0	0	63	293
15:15	0	0	0	0	0	0	92	125	0	217	0	42	0	0	42	75	0	0	0	75	334
15:30	0	0	0	0	0	0	97	158	0	255	0	60	0	0	60	56	0	0	0	56	371
15:45	0	0	0	0	0	0	141	175	0	316	2	47	0	0	49	54	0	1	0	55	420
Total	0	0	0	0	0	0	414	559	0	973	2	194	0	0	196	248	0	1	0	249	1418
16:00	0	0	0	0	0	0	128	142	0	270	0	47	0	0	47	85	0	0	0	85	402
16:15	0	0	0	0	0	0	186	234	0	420	0	52	0	0	52	70	0	0	0	70	542
16:30	0	0	0	0	0	0	151	162	0	313	0	48	0	0	48	86	0	0	0	86	447
16:45	0	0	0	0	0	0	221	201	0	422	0	46	0	0	46	71	0	0	0	71	539
Total	0	0	0	0	0	0	686	739	0	1425	0	193	0	0	193	312	0	0	0	312	1930
17:00	0	0	0	0	0	0	199	251	0	450	5	65	0	0	70	74	0	0	0	74	594
17:15	0	0	0	0	0	0	184	224	0	408	0	54	0	0	54	59	0	0	0	59	521
17:30	0	0	0	0	0	0	171	227	0	398	4	52	0	0	56	64	0	0	0	64	518
17:45	0	0	0	0	0	0	124	170	0	294	0	45	0	0	45	61	0	0	0	61	400
Total	0	0	0	0	0	0	678	872	0	1550	9	216	0	0	225	258	0	0	0	258	2033
Grand Total	0	0	0	0	0	0	2028	2645	1	4674	12	2272	0	0	2284	2998	0	1	0	2999	9957
Apprch %	0	0	0	0	0	0	43.4	56.6	0	46.74	0.5	99.5	0	0	2284	100	0	0	0	2999	9957
Total %	0	0	0	0	0	0	20.4	26.6	0	46.9	0.1	22.8	0	0	22.9	30.1	0	0	0	30.1	9957

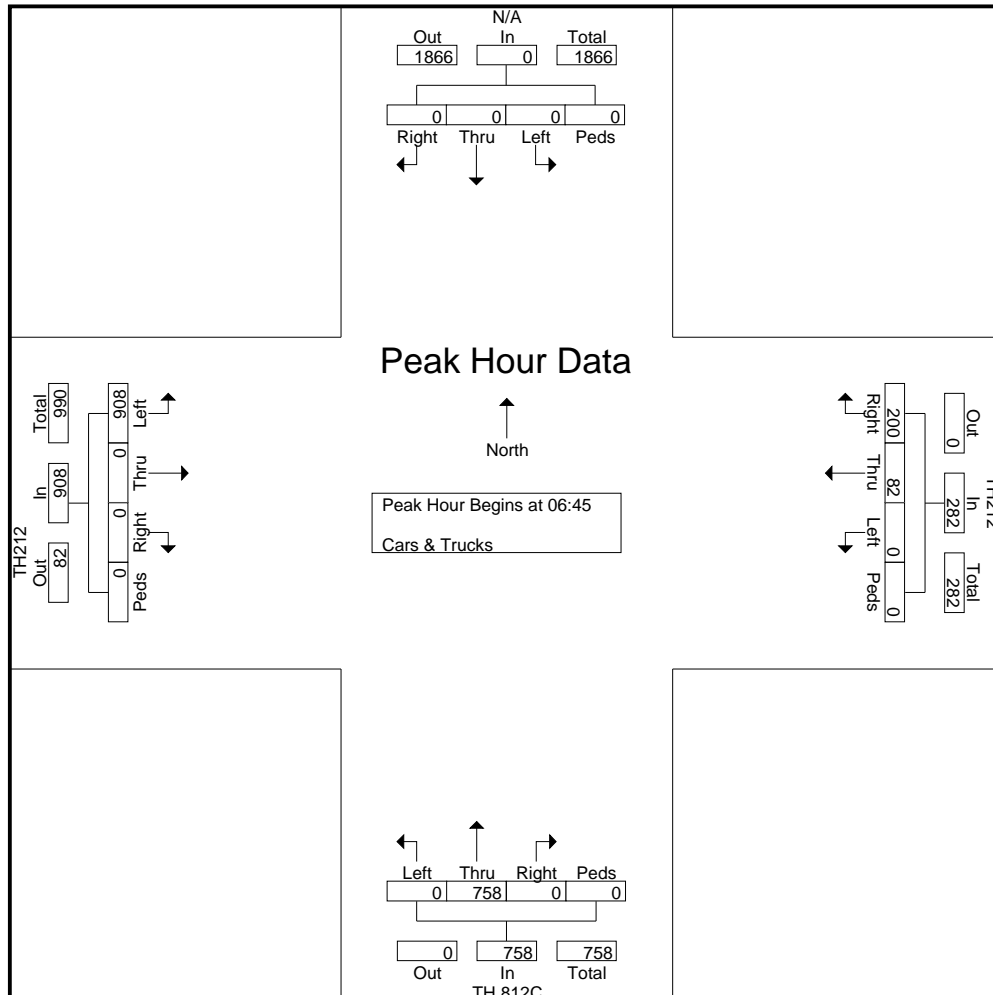


MINNESOTA DEPT OF TRANSPORTATION

TRAFFIC DATA COLLECTION - METRO

File Name : TH 212 @ TH 812C 2006
 Site Code : 00000000
 Start Date : 1/12/2006
 Page No : 2

Start Time	N/A Southbound					TH212 Westbound					TH 812C Northbound					TH212 Eastbound					Int. Total
	Left	Thru	Right	Peds	App. Total	Left	Thru	Right	Peds	App. Total	Left	Thru	Right	Peds	App. Total	Left	Thru	Right	Peds	App. Total	
Peak Hour Analysis From 06:00 to 08:45 - Peak 1 of 1																					
Peak Hour for Entire Intersection Begins at 06:45																					
06:45	0	0	0	0	0	0	17	41	0	58	0	180	0	0	180	229	0	0	0	229	467
07:00	0	0	0	0	0	0	4	39	0	43	0	183	0	0	183	222	0	0	0	222	448
07:15	0	0	0	0	0	0	28	75	0	103	0	177	0	0	177	243	0	0	0	243	523
07:30	0	0	0	0	0	0	33	45	0	78	0	218	0	0	218	214	0	0	0	214	510
Total Volume	0	0	0	0	0	0	82	200	0	282	0	758	0	0	758	908	0	0	0	908	1948
% App. Total	0	0	0	0	0	0	29.1	70.9	0		0	100	0	0		100	0	0	0		
PHF	.000	.000	.000	.000	.000	.000	.621	.667	.000	.684	.000	.869	.000	.000	.869	.934	.000	.000	.000	.934	.931





MINNESOTA DEPT OF TRANSPORTATION

TRAFFIC DATA COLLECTION - METRO

File Name : TH 212 @ TH 812C 2006
 Site Code : 00000000
 Start Date : 1/12/2006
 Page No : 3

Start Time	N/A Southbound					TH212 Westbound					TH 812C Northbound					TH212 Eastbound					Int. Total
	Left	Thru	Right	Peds	App. Total	Left	Thru	Right	Peds	App. Total	Left	Thru	Right	Peds	App. Total	Left	Thru	Right	Peds	App. Total	
Peak Hour Analysis From 15:00 to 17:45 - Peak 1 of 1																					
Peak Hour for Entire Intersection Begins at 16:45																					
16:45	0	0	0	0	0	0	221	201	0	422	0	46	0	0	46	71	0	0	0	71	539
17:00	0	0	0	0	0	0	199	251	0	450	5	65	0	0	70	74	0	0	0	74	594
17:15	0	0	0	0	0	0	184	224	0	408	0	54	0	0	54	59	0	0	0	59	521
17:30	0	0	0	0	0	0	171	227	0	398	4	52	0	0	56	64	0	0	0	64	518
Total Volume	0	0	0	0	0	0	775	903	0	1678	9	217	0	0	226	268	0	0	0	268	2172
% App. Total	0	0	0	0	0	0	46.2	53.8	0		4	96	0	0		100	0	0	0		
PHF	.000	.000	.000	.000	.000	.000	.877	.899	.000	.932	.450	.835	.000	.000	.807	.905	.000	.000	.000	.905	.914

