



MINNESOTA DEPT OF TRANSPORTATION

TRAFFIC DATA COLLECTION - METRO

Location: 120th AVE N @ BUSINESS PARK AV
 REF. PT.:
 Jamar# 1358/MAR
 TURN MOVEMENT COUNT

File Name : 120th AVE N @ BUSINESS PARK DR 2006
 Site Code : 00000000
 Start Date : 5/9/2006
 Page No : 1

Groups Printed- Cars & Trucks

Start Time	BUSINESS PARK DR Southbound					120th AVE N Westbound					BUSINESS PARK DR Northbound					120th AVE N Eastbound					Int. Total
	LEFT	THRU	RIGHT	Peds	App. Total	LEFT	THRU	RIGHT	Peds	App. Total	LEFT	THRU	RIGHT	Peds	App. Total	LEFT	THRU	RIGHT	Peds	App. Total	
06:00	0	0	8	0	8	0	0	0	0	0	4	0	0	0	4	2	1	9	0	12	24
06:15	0	0	14	0	14	0	1	1	0	2	4	2	1	0	7	5	1	7	0	13	36
06:30	0	0	10	0	10	0	0	0	0	0	2	1	0	0	3	1	1	6	0	8	21
06:45	1	1	9	0	11	0	1	1	0	2	1	0	1	0	2	5	1	10	0	16	31
Total	1	1	41	0	43	0	2	2	0	4	11	3	2	0	16	13	4	32	0	49	112
07:00	0	1	15	0	16	0	1	0	0	1	6	0	0	0	6	6	1	7	0	14	37
07:15	0	0	23	0	23	0	0	1	0	1	7	0	0	0	7	5	0	12	2	19	50
07:30	0	5	11	1	17	0	0	1	1	2	9	1	2	0	12	3	1	11	0	15	46
07:45	0	4	16	0	20	0	0	0	1	1	8	1	0	0	9	8	7	16	0	31	61
Total	0	10	65	1	76	0	1	2	2	5	30	2	2	0	34	22	9	46	2	79	194
08:00	1	1	5	0	7	0	5	1	0	6	10	1	0	1	12	4	10	16	0	30	55
08:15	1	5	11	0	17	0	5	3	0	8	8	3	0	0	11	2	9	9	0	20	56
08:30	2	0	9	0	11	0	8	3	0	11	8	1	0	0	9	4	11	18	0	33	64
08:45	1	3	8	0	12	0	10	2	0	12	14	2	1	0	17	5	12	23	0	40	81
Total	5	9	33	0	47	0	28	9	0	37	40	7	1	1	49	15	42	66	0	123	256
11:00	3	6	7	0	16	0	17	2	0	19	32	6	0	0	38	3	26	47	0	76	149
11:15	2	5	1	0	8	0	29	4	0	33	28	4	0	0	32	7	14	40	1	62	135
11:30	2	2	2	0	6	0	14	5	0	19	37	4	0	0	41	7	17	54	0	78	144
11:45	2	2	3	0	7	2	7	3	0	12	28	3	1	0	32	4	15	23	1	43	94
Total	9	15	13	0	37	2	67	14	0	83	125	17	1	0	143	21	72	164	2	259	522
12:00	7	4	4	0	15	0	18	5	0	23	47	5	1	0	53	4	26	54	0	84	175
12:15	5	0	5	0	10	0	14	7	1	22	56	9	0	1	66	6	24	47	0	77	175
12:30	3	6	4	0	13	1	24	6	1	32	42	12	0	0	54	3	28	50	0	81	180
12:45	2	5	3	0	10	3	21	3	0	27	43	8	0	0	51	3	7	45	0	55	143
Total	17	15	16	0	48	4	77	21	2	104	188	34	1	1	224	16	85	196	0	297	673
15:00	3	3	7	0	13	0	12	2	0	14	41	7	0	0	48	11	21	37	0	69	144
15:15	5	3	8	0	16	0	25	8	0	33	28	4	2	0	34	6	21	34	0	61	144
15:30	4	5	2	0	11	0	25	9	1	35	31	11	1	0	43	9	28	44	0	81	170
15:45	5	7	9	0	21	0	27	2	3	32	40	8	0	0	48	7	20	46	2	75	176
Total	17	18	26	0	61	0	89	21	4	114	140	30	3	0	173	33	90	161	2	286	634
16:00	5	2	9	1	17	0	22	3	0	25	34	5	0	0	39	19	26	38	2	85	166
16:15	2	4	6	0	12	0	26	8	0	34	31	13	0	0	44	52	33	45	2	132	222
16:30	5	5	7	0	17	2	18	13	4	37	39	10	1	0	50	60	20	43	0	123	227
16:45	4	10	3	0	17	0	21	8	0	29	43	15	0	0	58	94	28	55	1	178	282
Total	16	21	25	1	63	2	87	32	4	125	147	43	1	0	191	225	107	181	5	518	897
17:00	3	8	11	0	22	1	9	8	3	21	39	15	0	0	54	69	31	43	1	144	241
17:15	8	6	14	0	28	1	24	10	0	35	36	17	0	0	53	60	33	46	1	140	256
17:30	6	6	12	0	24	0	17	10	0	27	49	12	0	0	61	63	28	49	1	141	253
17:45	7	6	14	0	27	0	22	9	1	32	44	10	1	0	55	59	38	37	2	136	250
Total	24	26	51	0	101	2	72	37	4	115	168	54	1	0	223	251	130	175	5	561	1000
Grand Total	89	115	270	2	476	10	423	138	16	587	849	190	12	2	1053	596	539	1021	16	2172	4288
Apprch %	18.7	24.2	56.7	0.4		1.7	72.1	23.5	2.7		80.6	18	1.1	0.2		27.4	24.8	47	0.7		
Total %	2.1	2.7	6.3	0	11.1	0.2	9.9	3.2	0.4	13.7	19.8	4.4	0.3	0	24.6	13.9	12.6	23.8	0.4	50.7	

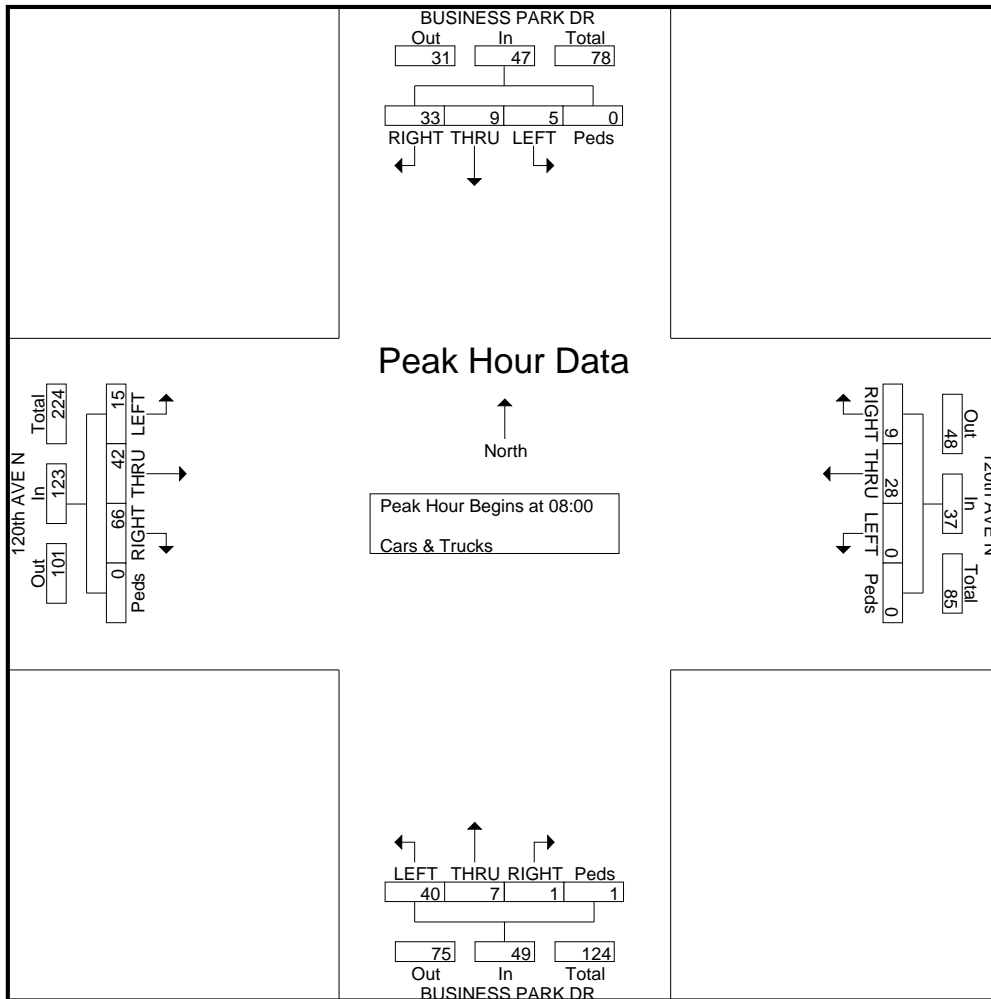


MINNESOTA DEPT OF TRANSPORTATION

TRAFFIC DATA COLLECTION - METRO

File Name : 120th AVE N @ BUSINESS PARK DR 2006
 Site Code : 00000000
 Start Date : 5/9/2006
 Page No : 2

Start Time	BUSINESS PARK DR Southbound					120th AVE N Westbound					BUSINESS PARK DR Northbound					120th AVE N Eastbound					Int. Total
	LEFT	THRU	RIGHT	Peds	App. Total	LEFT	THRU	RIGHT	Peds	App. Total	LEFT	THRU	RIGHT	Peds	App. Total	LEFT	THRU	RIGHT	Peds	App. Total	
Peak Hour Analysis From 06:00 to 09:45 - Peak 1 of 1																					
Peak Hour for Entire Intersection Begins at 08:00																					
08:00	1	1	5	0	7	0	5	1	0	6	10	1	0	1	12	4	10	16	0	30	55
08:15	1	5	11	0	17	0	5	3	0	8	8	3	0	0	11	2	9	9	0	20	56
08:30	2	0	9	0	11	0	8	3	0	11	8	1	0	0	9	4	11	18	0	33	64
08:45	1	3	8	0	12	0	10	2	0	12	14	2	1	0	17	5	12	23	0	40	81
Total Volume	5	9	33	0	47	0	28	9	0	37	40	7	1	1	49	15	42	66	0	123	256
% App. Total	10.6	19.1	70.2	0		0	75.7	24.3	0		81.6	14.3	2	2		12.2	34.1	53.7	0		
PHF	.625	.450	.750	.000	.691	.000	.700	.750	.000	.771	.714	.583	.250	.250	.721	.750	.875	.717	.000	.769	.790



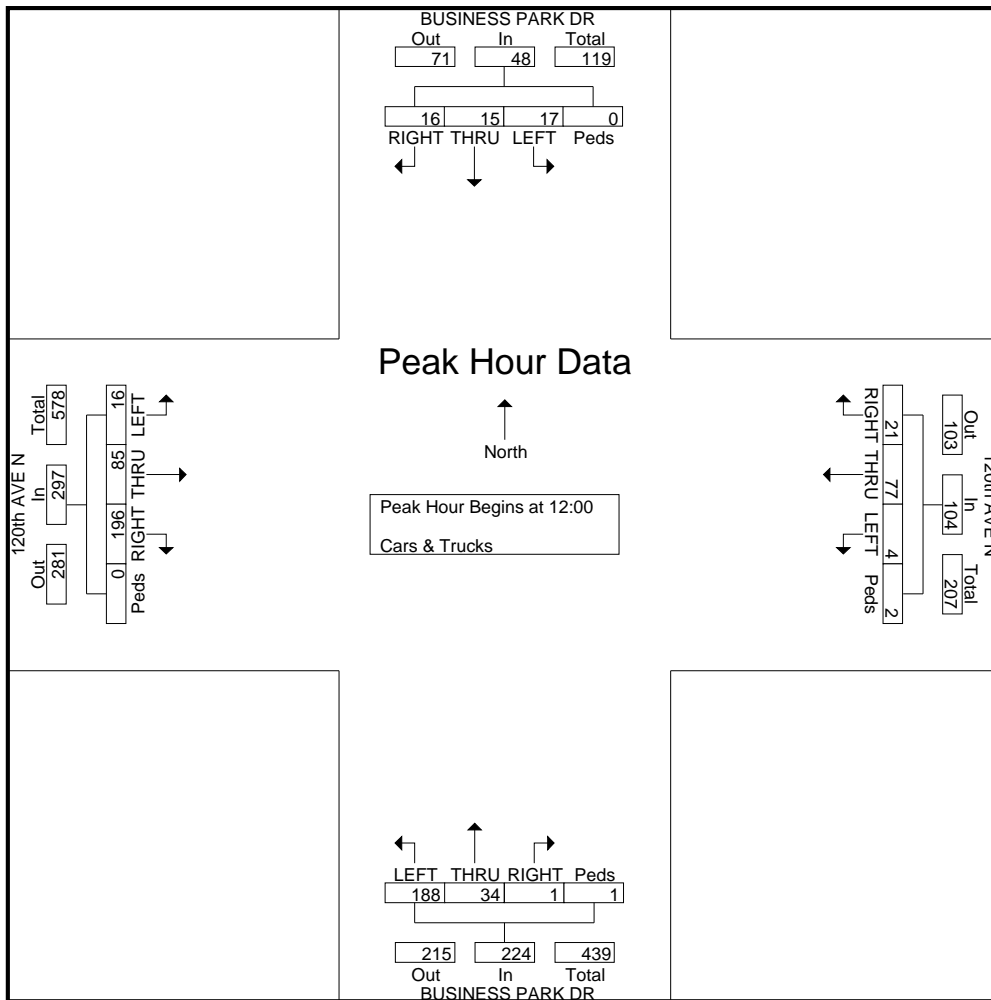


MINNESOTA DEPT OF TRANSPORTATION

TRAFFIC DATA COLLECTION - METRO

File Name : 120th AVE N @ BUSINESS PARK DR 2006
 Site Code : 00000000
 Start Date : 5/9/2006
 Page No : 3

Start Time	BUSINESS PARK DR Southbound					120th AVE N Westbound					BUSINESS PARK DR Northbound					120th AVE N Eastbound					Int. Total
	LEFT	THRU	RIGHT	Peds	App. Total	LEFT	THRU	RIGHT	Peds	App. Total	LEFT	THRU	RIGHT	Peds	App. Total	LEFT	THRU	RIGHT	Peds	App. Total	
Peak Hour Analysis From 10:00 to 13:45 - Peak 1 of 1																					
Peak Hour for Entire Intersection Begins at 12:00																					
12:00	7	4	4	0	15	0	18	5	0	23	47	5	1	0	53	4	26	54	0	84	175
12:15	5	0	5	0	10	0	14	7	1	22	56	9	0	1	66	6	24	47	0	77	175
12:30	3	6	4	0	13	1	24	6	1	32	42	12	0	0	54	3	28	50	0	81	180
12:45	2	5	3	0	10	3	21	3	0	27	43	8	0	0	51	3	7	45	0	55	143
Total Volume	17	15	16	0	48	4	77	21	2	104	188	34	1	1	224	16	85	196	0	297	673
% App. Total	35.4	31.2	33.3	0		3.8	74	20.2	1.9		83.9	15.2	0.4	0.4		5.4	28.6	66	0		
PHF	.607	.625	.800	.000	.800	.333	.802	.750	.500	.813	.839	.708	.250	.250	.848	.667	.759	.907	.000	.884	.935





MINNESOTA DEPT OF TRANSPORTATION

TRAFFIC DATA COLLECTION - METRO

File Name : 120th AVE N @ BUSINESS PARK DR 2006
 Site Code : 00000000
 Start Date : 5/9/2006
 Page No : 4

Start Time	BUSINESS PARK DR Southbound					120th AVE N Westbound					BUSINESS PARK DR Northbound					120th AVE N Eastbound					Int. Total
	LEFT	THRU	RIGHT	Peds	App. Total	LEFT	THRU	RIGHT	Peds	App. Total	LEFT	THRU	RIGHT	Peds	App. Total	LEFT	THRU	RIGHT	Peds	App. Total	
Peak Hour Analysis From 14:00 to 17:45 - Peak 1 of 1																					
Peak Hour for Entire Intersection Begins at 16:45																					
16:45	4	10	3	0	17	0	21	8	0	29	43	15	0	0	58	94	28	55	1	178	282
17:00	3	8	11	0	22	1	9	8	3	21	39	15	0	0	54	69	31	43	1	144	241
17:15	8	6	14	0	28	1	24	10	0	35	36	17	0	0	53	60	33	46	1	140	256
17:30	6	6	12	0	24	0	17	10	0	27	49	12	0	0	61	63	28	49	1	141	253
Total Volume	21	30	40	0	91	2	71	36	3	112	167	59	0	0	226	286	120	193	4	603	1032
% App. Total	23.1	33	44	0		1.8	63.4	32.1	2.7		73.9	26.1	0	0		47.4	19.9	32	0.7		
PHF	.656	.750	.714	.000	.813	.500	.740	.900	.250	.800	.852	.868	.000	.000	.926	.761	.909	.877	1.000	.847	.915

