

Traffic TURN MOVEMENT COUNT

CSAH-83 / Canterbury Rd S at 12th Ave E
 Ref: Pt.: Shakopee
 Data by: Scott County
 TURN MOVEMENT COUNT

File Name : CSAH-83 Canterbury Rd at 12th Ave 2012
 Site Code : 00000000
 Start Date : 7/25/2012
 Page No : 1

Groups Printed- Unshifted

Start Time	CSAH-83 / Canterbury Rd S Southbound				12th Ave E Westbound				CSAH-83 / Canterbury Rd S Northbound				12th Ave E Eastbound				Int. Total
	Left	Thru	Right	Peds	Left	Thru	Right	Peds	Left	Thru	Right	Peds	Left	Thru	Right	Peds	
06:15	7	12	2	0	12	6	2	0	39	77	53	0	4	3	4	0	221
06:30	6	10	3	0	17	7	2	0	37	108	61	0	16	15	2	0	284
06:45	9	19	1	0	14	5	2	0	40	118	106	0	24	9	4	0	351
Total	22	41	6	0	43	18	6	0	116	303	220	0	44	27	10	0	856
07:00	12	51	7	0	24	7	2	0	34	66	75	0	6	7	8	0	299
07:15	3	20	5	0	25	10	3	0	54	76	87	0	9	12	7	0	311
07:30	8	15	7	0	16	9	3	0	59	102	98	0	11	16	5	0	349
07:45	11	22	7	0	19	7	3	0	79	137	111	0	25	26	4	0	451
Total	34	108	26	0	84	33	11	0	226	381	371	0	51	61	24	0	1410
08:00	17	38	4	0	26	7	2	0	50	89	88	0	7	26	10	0	364
08:15	5	24	13	0	23	1	7	0	67	61	53	0	12	10	7	1	284
08:30	12	26	4	0	18	10	0	0	77	55	24	0	13	3	9	0	251
08:45	2	17	5	0	16	1	1	0	77	67	46	0	10	11	8	0	261
Total	36	105	26	0	83	19	10	0	271	272	211	0	42	50	34	1	1160
09:00	4	33	11	0	16	4	7	0	57	69	32	0	11	10	4	0	258
*** BREAK ***																	
Total	4	33	11	0	16	4	7	0	57	69	32	0	11	10	4	0	258
*** BREAK ***																	
11:00	8	57	18	0	40	15	2	0	21	46	30	0	6	13	16	0	272
11:15	10	61	11	0	39	13	1	0	48	65	48	1	20	16	22	0	355
11:30	16	53	20	0	62	22	3	0	42	43	24	0	13	12	20	0	330
11:45	6	70	21	0	56	23	4	0	25	44	34	0	11	26	16	0	336
Total	40	241	70	0	197	73	10	0	136	198	136	1	50	67	74	0	1293
12:00	24	79	25	0	59	29	5	0	45	62	44	0	16	26	14	0	428
12:15	15	66	23	0	59	29	9	0	51	43	75	0	17	23	10	0	420
12:30	22	63	26	0	64	39	7	0	59	63	79	0	8	26	22	0	478
12:45	16	52	13	0	64	24	17	0	38	69	74	0	22	22	27	0	438
Total	77	260	87	0	246	121	38	0	193	237	272	0	63	97	73	0	1764
*** BREAK ***																	
15:00	8	128	22	0	57	4	4	0	30	49	25	0	4	11	20	0	362
15:15	9	84	8	0	63	10	7	0	22	46	42	2	5	4	25	0	327
15:30	9	119	9	0	88	10	8	0	30	22	32	0	6	14	22	0	369
15:45	7	80	7	0	79	16	3	0	28	48	20	0	9	9	27	0	333
Total	33	411	46	0	287	40	22	0	110	165	119	2	24	38	94	0	1391
16:00	4	108	10	0	84	12	5	0	43	32	32	0	5	2	40	0	377

Traffic TURN MOVEMENT COUNT

CSAH-83 / Canterbury Rd S at 12th Ave E
 Ref: Pt.: Shakopee
 Data by: Scott County
 TURN MOVEMENT COUNT

File Name : CSAH-83 Canterbury Rd at 12th Ave 2012
 Site Code : 00000000
 Start Date : 7/25/2012
 Page No : 2

Groups Printed- Unshifted

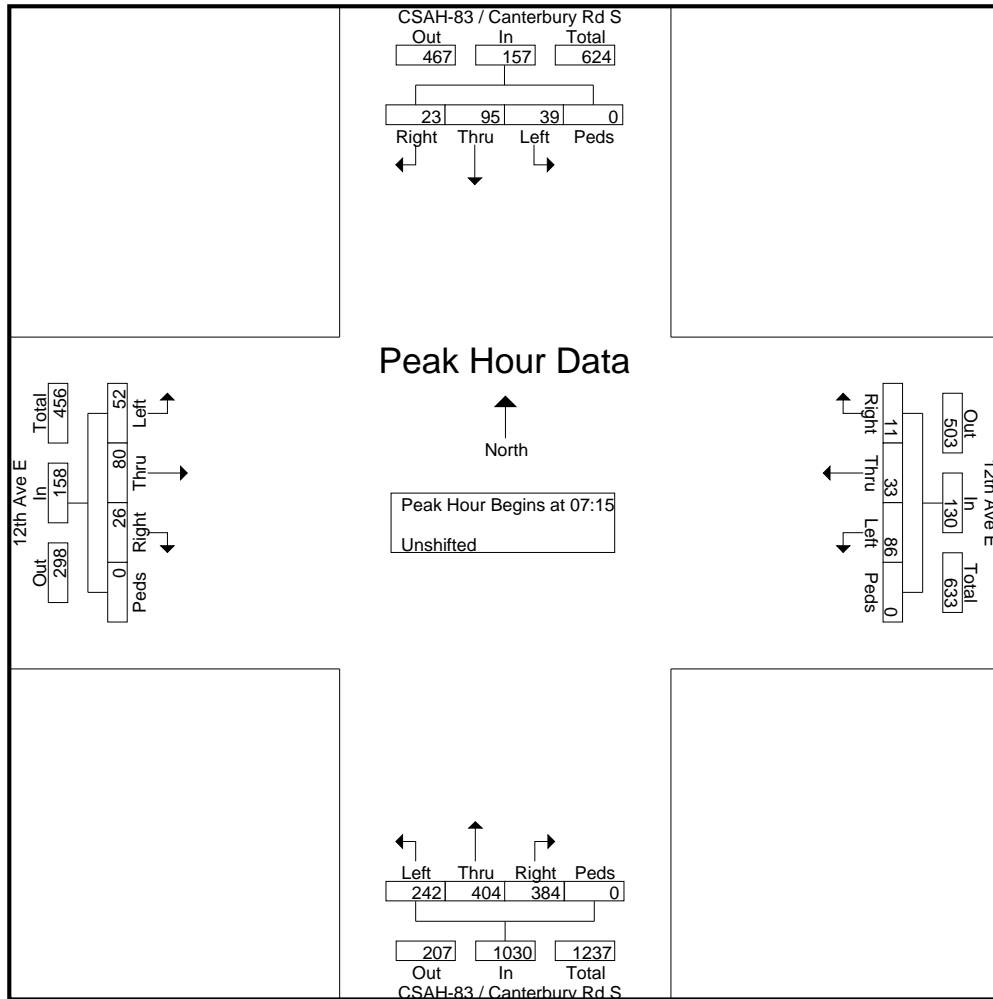
Start Time	CSAH-83 / Canterbury Rd S Southbound				12th Ave E Westbound				CSAH-83 / Canterbury Rd S Northbound				12th Ave E Eastbound				Int. Total
	Left	Thru	Right	Peds	Left	Thru	Right	Peds	Left	Thru	Right	Peds	Left	Thru	Right	Peds	
16:15	8	77	11	0	65	12	8	0	20	39	21	0	15	5	39	0	320
16:30	11	143	14	0	125	18	10	0	33	44	32	0	4	9	52	0	495
16:45	7	111	12	0	91	10	7	0	56	38	22	1	2	5	27	0	389
Total	30	439	47	0	365	52	30	0	152	153	107	1	26	21	158	0	1581
17:00	4	106	14	0	117	28	5	0	46	29	25	0	6	9	43	0	432
17:15	8	95	15	0	97	11	10	0	44	38	35	0	7	10	35	0	405
17:30	9	73	12	0	62	20	5	0	53	36	22	0	5	13	33	0	343
17:45	11	54	11	0	75	13	9	0	47	25	44	0	1	7	29	0	326
Total	32	328	52	0	351	72	29	0	190	128	126	0	19	39	140	0	1506
Grand Total	308	1966	371	0	1672	432	163	0	1451	1906	1594	4	330	410	611	1	11219
Apprch %	11.6	74.3	14	0	73.8	19.1	7.2	0	29.3	38.5	32.2	0.1	24.4	30.3	45.2	0.1	
Total %	2.7	17.5	3.3	0	14.9	3.9	1.5	0	12.9	17	14.2	0	2.9	3.7	5.4	0	

Traffic TURN MOVEMENT COUNT

CSAH-83 / Canterbury Rd S at 12th Ave E
 Ref: Pt.: Shakopee
 Data by: Scott County
 TURN MOVEMENT COUNT

File Name : CSAH-83 Canterbury Rd at 12th Ave 2012
 Site Code : 00000000
 Start Date : 7/25/2012
 Page No : 3

Start Time	CSAH-83 / Canterbury Rd S Southbound					12th Ave E Westbound					CSAH-83 / Canterbury Rd S Northbound					12th Ave E Eastbound					Int. Total
	Left	Thru	Right	Peds	App. Total	Left	Thru	Right	Peds	App. Total	Left	Thru	Right	Peds	App. Total	Left	Thru	Right	Peds	App. Total	
Peak Hour Analysis From 06:15 to 09:00 - Peak 1 of 1																					
Peak Hour for Entire Intersection Begins at 07:15																					
07:15	3	20	5	0	28	25	10	3	0	38	54	76	87	0	217	9	12	7	0	28	311
07:30	8	15	7	0	30	16	9	3	0	28	59	102	98	0	259	11	16	5	0	32	349
07:45	11	22	7	0	40	19	7	3	0	29	79	137	111	0	327	25	26	4	0	55	451
08:00	17	38	4	0	59	26	7	2	0	35	50	89	88	0	227	7	26	10	0	43	364
Total Volume	39	95	23	0	157	86	33	11	0	130	242	404	384	0	1030	52	80	26	0	158	1475
% App. Total	24.8	60.5	14.6	0		66.2	25.4	8.5	0		23.5	39.2	37.3	0		32.9	50.6	16.5	0		
PHF	.574	.625	.821	.000	.665	.827	.825	.917	.000	.855	.766	.737	.865	.000	.787	.520	.769	.650	.000	.718	.818



Traffic TURN MOVEMENT COUNT

CSAH-83 / Canterbury Rd S at 12th Ave E
 Ref: Pt.: Shakopee
 Data by: Scott County
 TURN MOVEMENT COUNT

File Name : CSAH-83 Canterbury Rd at 12th Ave 2012
 Site Code : 00000000
 Start Date : 7/25/2012
 Page No : 4

Start Time	CSAH-83 / Canterbury Rd S Southbound					12th Ave E Westbound					CSAH-83 / Canterbury Rd S Northbound					12th Ave E Eastbound					Int. Total
	Left	Thru	Right	Peds	App. Total	Left	Thru	Right	Peds	App. Total	Left	Thru	Right	Peds	App. Total	Left	Thru	Right	Peds	App. Total	
Peak Hour Analysis From 15:00 to 17:45 - Peak 1 of 1																					
Peak Hour for Entire Intersection Begins at 16:30																					
16:30	11	143	14	0	168	125	18	10	0	153	33	44	32	0	109	4	9	52	0	65	495
16:45	7	111	12	0	130	91	10	7	0	108	56	38	22	1	117	2	5	27	0	34	389
17:00	4	106	14	0	124	117	28	5	0	150	46	29	25	0	100	6	9	43	0	58	432
17:15	8	95	15	0	118	97	11	10	0	118	44	38	35	0	117	7	10	35	0	52	405
Total Volume	30	455	55	0	540	430	67	32	0	529	179	149	114	1	443	19	33	157	0	209	1721
% App. Total	5.6	84.3	10.2	0		81.3	12.7	6	0		40.4	33.6	25.7	0.2		9.1	15.8	75.1	0		
PHF	.682	.795	.917	.000	.804	.860	.598	.800	.000	.864	.799	.847	.814	.250	.947	.679	.825	.755	.000	.804	.869

