

Associated Consulting Services (ACS)
 Roseville, MN 55113
 -- TRAFFIC DATA --

TH-169 at 263rd St
 Data Prepared By: ACS
 TURNING MOVEMENT COUNT

File Name : TH-169 at 263rd St_2021
 Site Code :
 Start Date : 7/28/2021
 Page No : 1

Groups Printed- Cars - Trucks

Start Time	TH-169 Southbound				Westbound				TH-169 Northbound				263rd St Eastbound				Int. Total
	Left	Thru	Right	Peds	Left	Thru	Right	Peds	Left	Thru	Right	Peds	Left	Thru	Right	Peds	
06:00	0	81	0	0	0	0	0	0	0	124	0	0	0	0	0	0	205
06:15	0	90	0	0	0	0	0	0	0	104	0	0	1	0	0	0	195
06:30	0	130	0	0	0	0	0	0	0	105	0	0	0	0	0	0	235
06:45	0	117	0	0	0	0	0	0	0	108	0	0	1	0	0	0	226
Total	0	418	0	0	0	0	0	0	0	441	0	0	2	0	0	0	861
07:00	0	120	0	0	0	0	0	0	0	133	0	0	2	0	0	0	255
07:15	0	141	0	0	0	0	0	0	0	136	0	0	1	0	0	0	278
07:30	0	150	0	0	0	0	0	0	0	87	0	0	0	0	0	0	237
07:45	0	138	0	0	0	0	0	0	0	109	0	0	1	0	1	0	249
Total	0	549	0	0	0	0	0	0	0	465	0	0	4	0	1	0	1019
08:00	0	125	0	0	0	0	0	0	0	100	0	0	0	0	0	0	225
08:15	0	128	0	0	0	0	0	0	0	128	0	0	0	0	0	0	256
08:30	0	98	0	0	0	0	0	0	0	126	0	0	1	0	0	0	225
08:45	0	133	0	0	0	0	0	0	0	118	0	0	0	0	0	0	251
Total	0	484	0	0	0	0	0	0	0	472	0	0	1	0	0	0	957
09:00	0	134	0	0	0	0	0	0	0	119	0	0	0	0	0	0	253
09:15	0	143	0	0	0	0	0	0	0	146	0	0	0	0	0	0	289
09:30	0	135	0	0	0	0	0	0	0	132	0	0	0	0	0	0	267
09:45	0	117	1	0	0	0	0	0	0	145	0	0	1	0	0	0	264
Total	0	529	1	0	0	0	0	0	0	542	0	0	1	0	0	0	1073
10:00	0	118	1	0	0	0	0	0	0	173	0	0	2	0	0	0	294
10:15	0	129	0	0	0	0	0	0	0	164	0	0	1	0	0	0	294
10:30	0	121	2	0	0	0	0	0	1	155	0	0	0	0	0	0	279
10:45	0	145	0	0	0	0	0	0	0	148	0	0	0	0	2	0	295
Total	0	513	3	0	0	0	0	0	1	640	0	0	3	0	2	0	1162
11:00	0	129	0	0	0	0	0	0	1	148	0	0	0	0	0	0	278
11:15	0	136	0	0	0	0	0	0	0	142	0	0	2	0	0	0	280
11:30	0	145	1	0	0	0	0	0	0	149	0	0	1	0	0	0	296
11:45	0	147	1	0	0	0	0	0	1	130	0	0	0	0	0	0	279
Total	0	557	2	0	0	0	0	0	2	569	0	0	3	0	0	0	1133
12:00	0	167	1	0	0	0	0	0	0	149	0	0	0	0	1	0	318
12:15	0	141	1	0	0	0	0	0	0	135	0	0	0	0	0	0	277
12:30	0	146	0	0	0	0	0	0	1	153	0	0	0	0	1	0	301
12:45	0	137	0	0	0	0	0	0	0	169	0	0	0	0	0	0	306
Total	0	591	2	0	0	0	0	0	1	606	0	0	0	0	2	0	1202
13:00	0	156	1	0	0	0	0	0	0	149	0	0	2	0	0	0	308
13:15	0	150	1	0	0	0	0	0	0	145	0	0	0	0	0	0	296
13:30	0	130	1	0	0	0	0	0	0	143	0	0	0	0	0	0	274
13:45	0	129	0	0	0	0	0	0	1	145	0	0	0	0	0	0	275
Total	0	565	3	0	0	0	0	0	1	582	0	0	2	0	0	0	1153
14:00	0	153	0	0	0	0	0	0	0	136	0	0	0	0	0	0	289
14:15	0	155	0	0	0	0	0	0	0	172	0	0	1	0	0	0	328
14:30	0	131	0	0	0	0	0	0	0	136	0	0	0	0	0	0	267

Associated Consulting Services (ACS)
 Roseville, MN 55113
 -- TRAFFIC DATA --

TH-169 at 263rd St
 Data Prepared By: ACS
 TURNING MOVEMENT COUNT

File Name : TH-169 at 263rd St_2021
 Site Code :
 Start Date : 7/28/2021
 Page No : 2

Groups Printed- Cars - Trucks

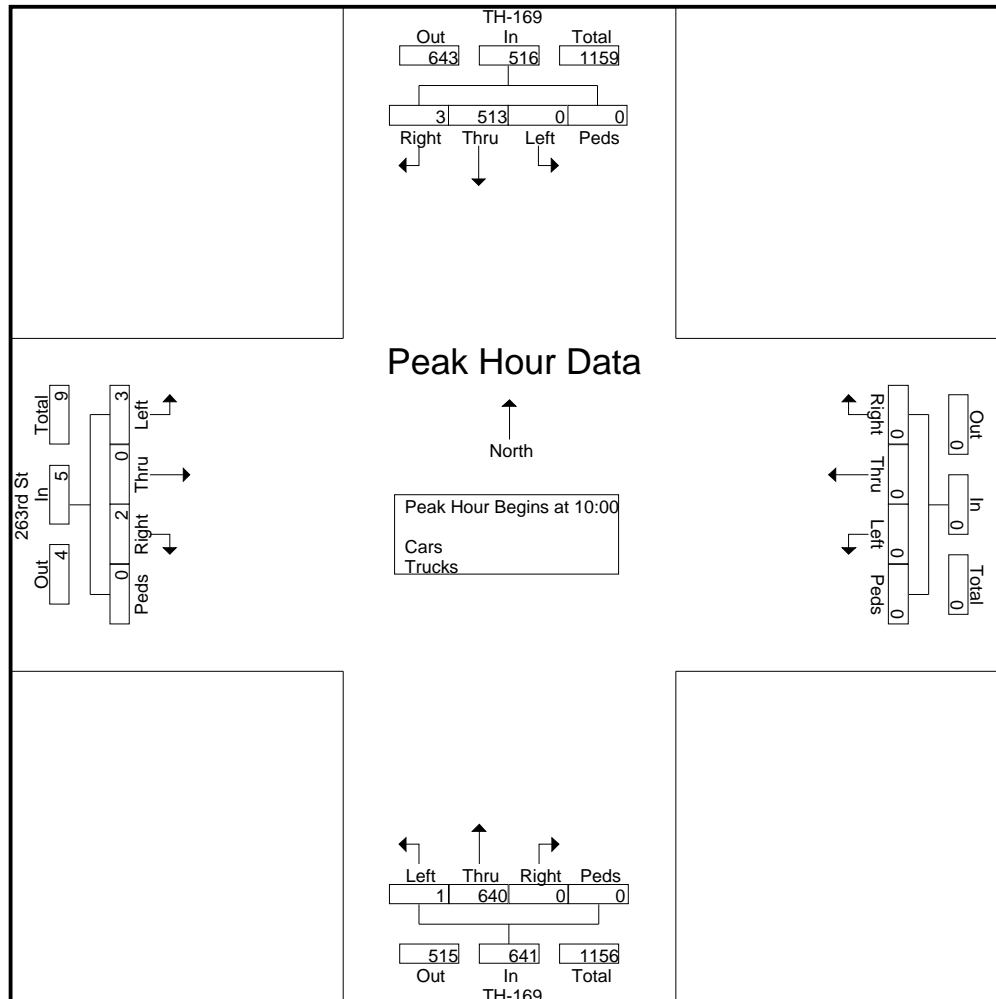
Start Time	TH-169 Southbound				Westbound				TH-169 Northbound				263rd St Eastbound				Int. Total	
	Left	Thru	Right	Peds	Left	Thru	Right	Peds	Left	Thru	Right	Peds	Left	Thru	Right	Peds		
14:45	0	199	2	0	0	0	0	0	0	155	0	0	0	0	0	0	0	356
Total	0	638	2	0	0	0	0	0	0	599	0	0	1	0	0	0	0	1240
15:00	0	136	0	0	0	0	0	0	0	161	0	0	2	0	0	0	0	299
15:15	0	185	0	0	0	0	0	0	0	146	0	0	0	0	0	0	0	331
15:30	0	180	0	0	0	0	0	0	0	176	0	0	0	0	0	0	0	356
15:45	0	196	1	0	0	0	0	0	1	164	0	0	0	0	1	0	0	363
Total	0	697	1	0	0	0	0	0	1	647	0	0	2	0	1	0	0	1349
16:00	0	172	0	0	0	0	0	0	0	174	0	0	0	0	0	0	0	346
16:15	0	159	0	0	0	0	0	0	0	161	0	0	0	0	0	0	0	320
16:30	0	188	0	0	0	0	0	0	0	164	0	0	0	0	1	0	0	353
16:45	0	164	1	0	0	0	0	0	0	174	0	0	0	0	0	0	0	339
Total	0	683	1	0	0	0	0	0	0	673	0	0	0	0	1	0	0	1358
17:00	0	176	2	0	0	0	0	0	0	180	0	0	0	0	0	0	0	358
17:15	0	162	3	0	0	0	0	0	0	171	0	0	0	0	0	0	0	336
17:30	0	196	2	0	0	0	0	0	0	136	0	0	0	0	0	0	0	334
17:45	0	178	1	0	0	0	0	0	0	122	0	0	1	0	1	0	0	303
Total	0	712	8	0	0	0	0	0	0	609	0	0	1	0	1	0	0	1331
Grand Total	0	6936	23	0	0	0	0	0	6	6845	0	0	20	0	8	0	0	13838
Apprch %	0	99.7	0.3	0	0	0	0	0	0.1	99.9	0	0	71.4	0	28.6	0	0	
Total %	0	50.1	0.2	0	0	0	0	0	0	49.5	0	0	0.1	0	0.1	0	0	
Cars	0	5835	21	0	0	0	0	0	5	5789	0	0	19	0	6	0	0	11675
% Cars	0	84.1	91.3	0	0	0	0	0	83.3	84.6	0	0	95	0	75	0	0	84.4
Trucks	0	1101	2	0	0	0	0	0	1	1056	0	0	1	0	2	0	0	2163
% Trucks	0	15.9	8.7	0	0	0	0	0	16.7	15.4	0	0	5	0	25	0	0	15.6

Associated Consulting Services (ACS)
 Roseville, MN 55113
 -- TRAFFIC DATA --

TH-169 at 263rd St
 Data Prepared By: ACS
 TURNING MOVEMENT COUNT

File Name : TH-169 at 263rd St_2021
 Site Code :
 Start Date : 7/28/2021
 Page No : 3

Start Time	TH-169 Southbound					Westbound					TH-169 Northbound					263rd St Eastbound					Int. Total
	Left	Thru	Right	Peds	App. Total	Left	Thru	Right	Peds	App. Total	Left	Thru	Right	Peds	App. Total	Left	Thru	Right	Peds	App. Total	
Peak Hour Analysis From 06:00 to 11:45 - Peak 1 of 1																					
Peak Hour for Entire Intersection Begins at 10:00																					
10:00	0	118	1	0	119	0	0	0	0	0	0	173	0	0	173	2	0	0	0	2	294
10:15	0	129	0	0	129	0	0	0	0	0	0	164	0	0	164	1	0	0	0	1	294
10:30	0	121	2	0	123	0	0	0	0	0	1	155	0	0	156	0	0	0	0	0	279
10:45	0	145	0	0	145	0	0	0	0	0	0	148	0	0	148	0	0	2	0	2	295
Total Volume	0	513	3	0	516	0	0	0	0	0	1	640	0	0	641	3	0	2	0	5	1162
% App. Total	0	99.4	0.6	0		0	0	0	0		0.2	99.8	0	0		60	0	40	0		
PHF	.000	.884	.375	.000	.890	.000	.000	.000	.000	.000	.250	.925	.000	.000	.926	.375	.000	.250	.000	.625	.985



TH-169 at 263rd St
 Data Prepared By: ACS
 TURNING MOVEMENT COUNT

File Name : TH-169 at 263rd St_2021
 Site Code :
 Start Date : 7/28/2021
 Page No : 4

Start Time	TH-169 Southbound					Westbound					TH-169 Northbound					263rd St Eastbound					Int. Total
	Left	Thru	Right	Peds	App. Total	Left	Thru	Right	Peds	App. Total	Left	Thru	Right	Peds	App. Total	Left	Thru	Right	Peds	App. Total	
Peak Hour Analysis From 12:00 to 17:45 - Peak 1 of 1																					
Peak Hour for Entire Intersection Begins at 15:15																					
15:15	0	185	0	0	185	0	0	0	0	0	0	146	0	0	146	0	0	0	0	0	331
15:30	0	180	0	0	180	0	0	0	0	0	0	176	0	0	176	0	0	0	0	0	356
15:45	0	196	1	0	197	0	0	0	0	0	1	164	0	0	165	0	0	1	0	1	363
16:00	0	172	0	0	172	0	0	0	0	0	0	174	0	0	174	0	0	0	0	0	346
Total Volume	0	733	1	0	734	0	0	0	0	0	1	660	0	0	661	0	0	1	0	1	1396
% App. Total	0	99.9	0.1	0		0	0	0	0		0.2	99.8	0	0		0	0	100	0		
PHF	.000	.935	.250	.000	.931	.000	.000	.000	.000	.000	.250	.938	.000	.000	.939	.000	.000	.250	.000	.250	.961

