

Alliant Engineering Inc Minneapolis, MN 55415

S Diamond Lake Rd at Northdale Blvd.
(W of TH-101) ROGERS
data by Alliant Engineering Inc
TURN MOVEMENT COUNT

File Name : S Diamond Lake Rd at Northdale Blvd 2009
Site Code : 00000030
Start Date : 1/22/2009
Page No : 1

Groups Printed- Unshifted

Start Time	Northdale Blvd Southbound				S Diamond Lake Rd Westbound				commercial / parking Northbound				S Diamond Lake Rd Eastbound				Int. Total
	Left	Thru	Right	Peds	Left	Thru	Right	Peds	Left	Thru	Right	Peds	Left	Thru	Right	Peds	
06:00	52	1	0	0	6	1	10	0	0	1	3	0	0	1	0	0	75
06:15	65	0	0	0	2	0	7	0	0	0	3	0	0	0	0	0	77
06:30	73	3	1	0	5	2	12	0	0	1	0	0	1	1	0	0	99
06:45	64	7	2	0	6	2	11	0	0	0	2	0	0	0	0	0	94
Total	254	11	3	0	19	5	40	0	0	2	8	0	1	2	0	0	345
07:00	75	0	0	0	4	2	11	0	0	0	0	0	0	1	0	0	93
07:15	93	4	0	0	10	3	23	0	0	0	2	0	0	0	0	0	135
07:30	85	3	2	0	4	6	18	0	0	2	3	0	0	0	0	0	123
07:45	66	4	3	0	19	8	35	0	0	0	1	0	1	0	0	0	137
Total	319	11	5	0	37	19	87	0	0	2	6	0	1	1	0	0	488
08:00	49	1	0	0	12	0	23	0	0	1	1	0	0	0	0	0	87
08:15	51	6	2	0	20	5	17	0	0	2	9	0	0	2	1	0	115
08:30	53	9	0	0	14	1	24	0	0	8	6	0	0	2	0	0	117
08:45	62	9	1	0	23	5	29	0	0	8	14	0	1	2	1	0	155
Total	215	25	3	0	69	11	93	0	0	19	30	0	1	6	2	0	474
09:00	59	5	3	0	27	3	32	0	0	4	8	0	1	4	0	0	146
09:15	51	9	1	0	34	9	36	0	0	2	13	0	1	3	1	0	160
*** BREAK ***																	
Total	110	14	4	0	61	12	68	0	0	6	21	0	2	7	1	0	306
*** BREAK ***																	
10:30	43	9	0	1	36	6	18	0	0	7	34	0	0	3	0	0	157
10:45	38	3	4	0	47	9	29	0	0	6	36	0	1	4	0	1	178
Total	81	12	4	1	83	15	47	0	0	13	70	0	1	7	0	1	335
11:00	39	13	4	0	48	12	32	0	0	5	38	0	2	6	0	0	199
11:15	56	7	2	0	52	5	36	0	0	12	46	0	2	6	0	0	224
11:30	51	8	1	0	68	8	59	0	0	9	57	0	5	4	1	0	271
11:45	47	16	5	0	72	8	50	0	0	14	58	0	2	3	0	0	275
Total	193	44	12	0	240	33	177	0	0	40	199	0	11	19	1	0	969
12:00	50	15	2	0	84	7	53	0	0	15	64	0	3	8	1	0	302
12:15	62	11	3	0	55	10	50	0	0	11	67	0	3	4	0	0	276
12:30	56	6	0	0	71	9	42	0	0	17	79	0	2	7	1	0	290
12:45	59	9	4	0	62	6	42	0	0	16	74	0	0	8	0	0	280
Total	227	41	9	0	272	32	187	0	0	59	284	0	8	27	2	0	1148
13:00	49	12	2	0	57	8	43	0	0	11	51	0	1	3	1	0	238
13:15	51	8	1	0	55	7	38	0	0	21	61	0	0	5	1	0	248
*** BREAK ***																	
Total	100	20	3	0	112	15	81	0	0	32	112	0	1	8	2	0	486
*** BREAK ***																	
14:30	73	12	53	0	80	7	44	0	0	12	75	0	41	14	4	0	415
14:45	50	11	43	2	49	10	35	0	0	12	68	0	48	9	3	0	340
Total	123	23	96	2	129	17	79	0	0	24	143	0	89	23	7	0	755
15:00	60	7	70	0	61	4	64	0	2	12	61	0	28	14	3	0	386
15:15	48	9	67	0	50	10	42	0	0	16	58	0	47	9	0	0	356
15:30	49	7	40	0	59	2	50	0	0	9	69	0	39	9	0	0	333
15:45	48	16	2	0	69	5	46	0	0	20	61	0	0	7	1	0	275
Total	205	39	179	0	239	21	202	0	2	57	249	0	114	39	4	0	1350

Alliant Engineering Inc

Minneapolis, MN 55415

S Diamond Lake Rd at Northdale Blvd.
(W of TH-101) ROGERS
data by Alliant Engineering Inc
TURN MOVEMENT COUNT

File Name : S Diamond Lake Rd at Northdale Blvd 2009
Site Code : 00000030
Start Date : 1/22/2009
Page No : 2

Groups Printed- Unshifted

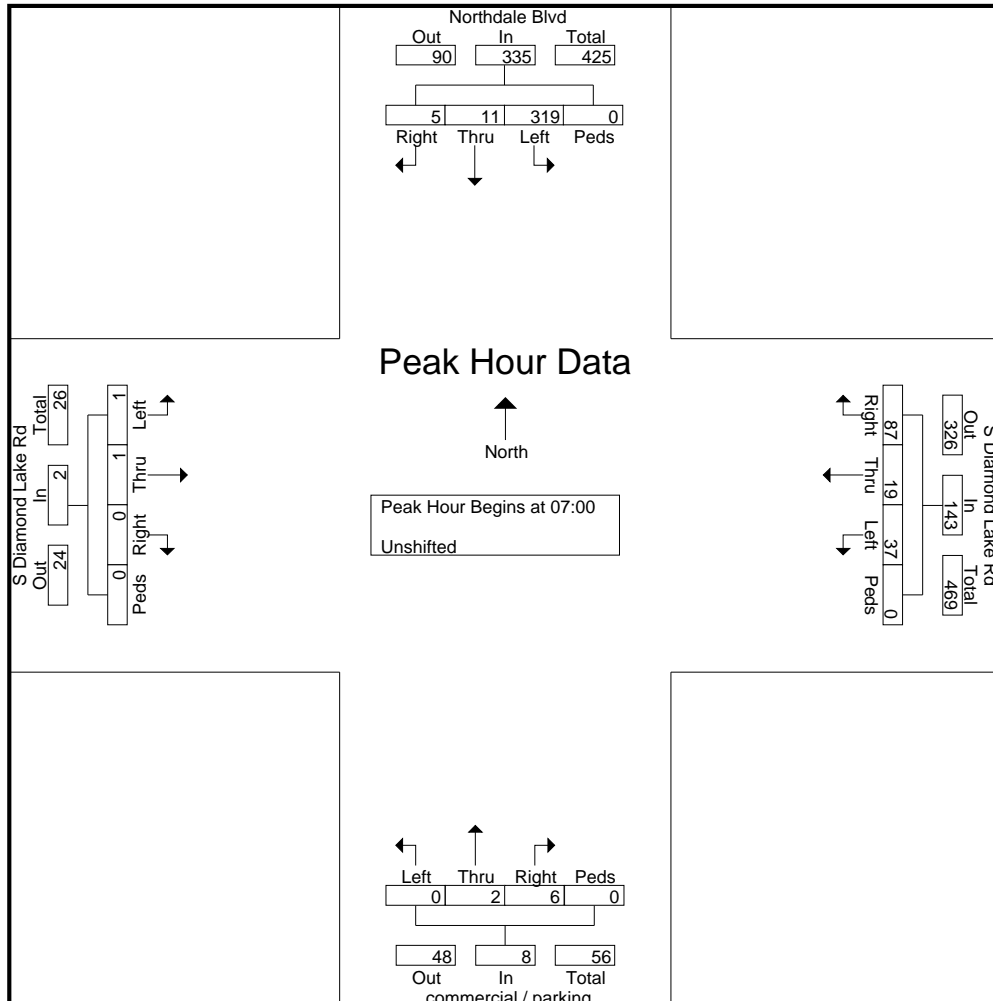
Start Time	Northdale Blvd Southbound				S Diamond Lake Rd Westbound				commercial / parking Northbound				S Diamond Lake Rd Eastbound				Int. Total
	Left	Thru	Right	Peds	Left	Thru	Right	Peds	Left	Thru	Right	Peds	Left	Thru	Right	Peds	
16:00	52	12	3	0	70	4	53	0	0	12	69	0	2	7	1	0	285
16:15	53	11	1	0	78	6	56	0	0	17	60	0	3	7	0	0	292
16:30	56	9	2	0	63	10	72	0	0	19	63	0	2	5	0	0	301
16:45	54	19	4	0	78	8	59	0	0	12	62	0	2	4	0	0	302
Total	215	51	10	0	289	28	240	0	0	60	254	0	9	23	1	0	1180
17:00	53	18	0	0	67	2	76	0	0	20	77	1	1	7	0	0	322
17:15	61	19	1	0	92	7	82	0	0	14	69	0	1	4	0	0	350
17:30	50	13	0	0	80	8	78	0	1	13	72	0	4	8	0	0	327
17:45	39	14	2	0	91	7	60	0	0	16	85	0	2	1	0	0	317
Total	203	64	3	0	330	24	296	0	1	63	303	1	8	20	0	0	1316
Grand Total	2245	355	331	3	1880	232	1597	0	3	377	1679	1	246	182	20	1	9152
Apprch %	76.5	12.1	11.3	0.1	50.7	6.3	43.1	0	0.1	18.3	81.5	0	54.8	40.5	4.5	0.2	
Total %	24.5	3.9	3.6	0	20.5	2.5	17.4	0	0	4.1	18.3	0	2.7	2	0.2	0	

Alliant Engineering Inc Minneapolis, MN 55415

S Diamond Lake Rd at Northdale Blvd.
(W of TH-101) ROGERS
data by Alliant Engineering Inc
TURN MOVEMENT COUNT

File Name : S Diamond Lake Rd at Northdale Blvd 2009
Site Code : 00000030
Start Date : 1/22/2009
Page No : 3

Start Time	Northdale Blvd Southbound					S Diamond Lake Rd Westbound					commercial / parking Northbound					S Diamond Lake Rd Eastbound					Int. Total
	Left	Thru	Right	Peds	App. Total	Left	Thru	Right	Peds	App. Total	Left	Thru	Right	Peds	App. Total	Left	Thru	Right	Peds	App. Total	
Peak Hour Analysis From 06:00 to 08:45 - Peak 1 of 1																					
Peak Hour for Entire Intersection Begins at 07:00																					
07:00	75	0	0	0	75	4	2	11	0	17	0	0	0	0	0	0	1	0	0	1	93
07:15	93	4	0	0	97	10	3	23	0	36	0	0	2	0	2	0	0	0	0	0	135
07:30	85	3	2	0	90	4	6	18	0	28	0	2	3	0	5	0	0	0	0	0	123
07:45	66	4	3	0	73	19	8	35	0	62	0	0	1	0	1	1	0	0	0	1	137
Total Volume	319	11	5	0	335	37	19	87	0	143	0	2	6	0	8	1	1	0	0	2	488
% App. Total	95.2	3.3	1.5	0		25.9	13.3	60.8	0		0	25	75	0		50	50	0	0		
PHF	.858	.688	.417	.000	.863	.487	.594	.621	.000	.577	.000	.250	.500	.000	.400	.250	.250	.000	.000	.500	.891



Alliant Engineering Inc Minneapolis, MN 55415

S Diamond Lake Rd at Northdale Blvd.
(W of TH-101) ROGERS
data by Alliant Engineering Inc
TURN MOVEMENT COUNT

File Name : S Diamond Lake Rd at Northdale Blvd 2009
Site Code : 00000030
Start Date : 1/22/2009
Page No : 4

Start Time	Northdale Blvd Southbound					S Diamond Lake Rd Westbound					commercial / parking Northbound					S Diamond Lake Rd Eastbound					Int. Total
	Left	Thru	Right	Peds	App. Total	Left	Thru	Right	Peds	App. Total	Left	Thru	Right	Peds	App. Total	Left	Thru	Right	Peds	App. Total	
Peak Hour Analysis From 15:00 to 17:45 - Peak 1 of 1																					
Peak Hour for Entire Intersection Begins at 15:00																					
15:00	60	7	70	0	137	61	4	64	0	129	2	12	61	0	75	28	14	3	0	45	386
15:15	48	9	67	0	124	50	10	42	0	102	0	16	58	0	74	47	9	0	0	56	356
15:30	49	7	40	0	96	59	2	50	0	111	0	9	69	0	78	39	9	0	0	48	333
15:45	48	16	2	0	66	69	5	46	0	120	0	20	61	0	81	0	7	1	0	8	275
Total Volume	205	39	179	0	423	239	21	202	0	462	2	57	249	0	308	114	39	4	0	157	1350
% App. Total	48.5	9.2	42.3	0		51.7	4.5	43.7	0		0.6	18.5	80.8	0		72.6	24.8	2.5	0		
PHF	.854	.609	.639	.000	.772	.866	.525	.789	.000	.895	.250	.713	.902	.000	.951	.606	.696	.333	.000	.701	.874

