

Hennepin County

Turning movement count

Collected by Hennepin County
 Thursday July 18th, 2019
 6 AM - 6 PM

File Name : 5381 - CSAH 158 & Interlachen Blvd
 Site Code :
 Start Date : 7/18/2019
 Page No : 1

Groups Printed- Cars - Single units - Combo units

Start Time	CSAH 158 (Vernon Ave) Eastbound					CSAH 158 (Vernon Ave) Westbound					Interlachen Blvd Northbound					Interlachen Blvd Southbound					Int. Total
	Left	Thru	Right	Peds	App. Total	Left	Thru	Right	Peds	App. Total	Left	Thru	Right	Peds	App. Total	Left	Thru	Right	Peds	App. Total	
06:00 AM	3	20	1	0	24	4	18	22	0	44	0	5	0	0	5	24	8	3	0	35	108
06:15 AM	5	17	3	2	27	2	22	33	1	58	1	3	1	0	5	30	9	8	2	49	139
06:30 AM	7	33	3	2	45	6	38	35	1	80	3	4	1	0	8	51	6	15	1	73	206
06:45 AM	12	47	9	1	69	8	41	59	2	110	2	8	3	0	13	57	10	20	0	87	279
Total	27	117	16	5	165	20	119	149	4	292	6	20	5	0	31	162	33	46	3	244	732
07:00 AM	12	74	6	0	92	3	82	56	1	142	8	8	0	1	17	73	10	14	0	97	348
07:15 AM	11	92	3	0	106	9	86	59	3	157	6	6	2	1	15	71	17	19	0	107	385
07:30 AM	11	88	10	1	110	6	85	67	0	158	2	11	7	0	20	84	14	16	0	114	402
07:45 AM	17	72	7	2	98	16	108	92	1	217	8	2	2	1	13	78	17	25	1	121	449
Total	51	326	26	3	406	34	361	274	5	674	24	27	11	3	65	306	58	74	1	439	1584
08:00 AM	19	92	10	0	121	9	99	57	0	165	3	12	2	0	17	78	14	38	0	130	433
08:15 AM	34	97	12	1	144	8	85	65	0	158	3	16	4	0	23	72	11	30	1	114	439
08:30 AM	23	98	17	1	139	8	82	61	1	152	3	8	5	0	16	73	16	30	1	120	427
08:45 AM	27	99	11	2	139	7	99	80	0	186	6	10	4	0	20	67	13	33	0	113	458
Total	103	386	50	4	543	32	365	263	1	661	15	46	15	0	76	290	54	131	2	477	1757
09:00 AM	25	97	12	0	134	10	72	47	0	129	7	15	4	0	26	67	9	30	0	106	395
09:15 AM	31	91	9	1	132	6	73	59	0	138	7	10	3	0	20	63	14	23	3	103	393
09:30 AM	28	80	8	3	119	13	57	54	2	126	3	7	2	0	12	64	15	34	0	113	370
09:45 AM	31	88	8	1	128	8	81	61	0	150	3	8	6	0	17	68	15	20	0	103	398
Total	115	356	37	5	513	37	283	221	2	543	20	40	15	0	75	262	53	107	3	425	1556
10:00 AM	29	107	9	1	146	11	80	52	0	143	8	8	4	0	20	73	8	23	0	104	413
10:15 AM	30	85	13	1	129	5	92	44	0	141	7	2	2	0	11	75	4	21	0	100	381
10:30 AM	28	104	9	1	142	5	87	57	3	152	3	7	3	0	13	60	7	26	2	95	402
10:45 AM	33	78	6	1	118	7	92	48	1	148	7	12	8	0	27	60	12	31	0	103	396
Total	120	374	37	4	535	28	351	201	4	584	25	29	17	0	71	268	31	101	2	402	1592
11:00 AM	28	106	11	0	145	6	81	53	1	141	7	6	4	0	17	71	9	22	0	102	405
11:15 AM	39	100	11	1	151	13	84	56	0	153	6	8	11	0	25	51	11	29	1	92	421
11:30 AM	21	105	8	1	135	11	96	62	1	170	5	13	5	0	23	61	9	34	0	104	432
11:45 AM	28	89	12	0	129	12	93	74	2	181	6	4	4	1	15	69	7	21	0	97	422
Total	116	400	42	2	560	42	354	245	4	645	24	31	24	1	80	252	36	106	1	395	1680
12:00 PM	37	105	5	1	148	7	107	62	1	177	4	15	12	1	32	77	10	18	3	108	465
12:15 PM	32	124	11	0	167	20	95	80	1	196	2	16	5	0	23	81	13	17	1	112	498
12:30 PM	37	115	9	1	162	6	96	74	1	177	7	8	9	0	24	61	9	23	1	94	457
12:45 PM	36	99	11	2	148	6	107	65	0	178	5	12	6	0	23	63	6	23	0	92	441
Total	142	443	36	4	625	39	405	281	3	728	18	51	32	1	102	282	38	81	5	406	1861
01:00 PM	32	112	9	4	157	11	95	74	0	180	6	6	9	0	21	65	6	33	0	104	462
01:15 PM	35	99	6	1	141	13	71	68	2	154	6	13	6	0	25	69	18	17	2	106	426
01:30 PM	32	99	6	0	137	8	99	66	2	175	3	12	5	0	20	54	10	26	0	90	422
01:45 PM	30	113	2	1	146	15	89	69	2	175	4	5	3	1	13	47	10	28	0	85	419
Total	129	423	23	6	581	47	354	277	6	684	19	36	23	1	79	235	44	104	2	385	1729
02:00 PM	35	111	3	2	151	12	76	47	0	135	2	12	8	0	22	55	10	20	0	85	393
02:15 PM	36	85	10	2	133	7	78	82	1	168	3	9	1	0	13	65	8	24	1	98	412
02:30 PM	37	114	4	1	156	8	77	68	0	153	6	13	5	0	24	69	12	29	0	110	443
02:45 PM	26	133	5	0	164	8	104	62	0	174	8	14	6	0	28	81	15	31	0	127	493
Total	134	443	22	5	604	35	335	259	1	630	19	48	20	0	87	270	45	104	1	420	1741

Hennepin County

Turning movement count

File Name : 5381 - CSAH 158 & Interlachen Blvd

Site Code :

Start Date : 7/18/2019

Page No : 2

Groups Printed- Cars - Single units - Combo units

Start Time	CSAH 158 (Vernon Ave) Eastbound					CSAH 158 (Vernon Ave) Westbound					Interlachen Blvd Northbound					Interlachen Blvd Southbound					Int. Total
	Left	Thru	Right	Peds	App. Total	Left	Thru	Right	Peds	App. Total	Left	Thru	Right	Peds	App. Total	Left	Thru	Right	Peds	App. Total	
03:00 PM	41	117	10	4	172	12	95	75	0	182	2	14	7	0	23	82	12	24	0	118	495
03:15 PM	34	159	7	1	201	9	102	74	3	188	4	16	7	0	27	77	13	30	1	121	537
03:30 PM	49	172	11	1	233	8	82	94	0	184	5	10	5	0	20	73	14	27	1	115	552
03:45 PM	56	169	6	1	232	9	108	80	1	198	0	22	1	0	23	75	13	25	1	114	567
Total	180	617	34	7	838	38	387	323	4	752	11	62	20	0	93	307	52	106	3	468	2151
04:00 PM	77	162	10	0	249	7	111	88	1	207	8	25	3	0	36	56	15	27	0	98	590
04:15 PM	72	166	6	3	247	6	87	82	1	176	3	35	4	1	43	78	17	32	1	128	594
04:30 PM	95	195	6	0	296	7	116	90	8	221	8	15	6	3	32	71	12	18	5	106	655
04:45 PM	93	190	12	1	296	9	94	93	2	198	3	22	5	1	31	83	23	27	0	133	658
Total	337	713	34	4	1088	29	408	353	12	802	22	97	18	5	142	288	67	104	6	465	2497
05:00 PM	87	173	5	3	268	6	95	88	5	194	7	31	5	0	43	98	4	28	4	134	639
05:15 PM	83	162	11	0	256	6	101	129	0	236	10	27	6	1	44	68	14	26	0	108	644
05:30 PM	82	183	12	0	277	4	112	97	5	218	8	32	0	0	40	91	19	28	0	138	673
05:45 PM	66	177	7	0	250	11	78	78	0	167	7	19	4	0	30	63	18	22	3	106	553
Total	318	695	35	3	1051	27	386	392	10	815	32	109	15	1	157	320	55	104	7	486	2509
Grand Total	1772	5293	392	52	7509	408	4108	3238	56	7810	235	596	215	12	1058	3242	566	1168	36	5012	21389
Apprch %	23.6	70.5	5.2	0.7		5.2	52.6	41.5	0.7		22.2	56.3	20.3	1.1		64.7	11.3	23.3	0.7		
Total %	8.3	24.7	1.8	0.2	35.1	1.9	19.2	15.1	0.3	36.5	1.1	2.8	1	0.1	4.9	15.2	2.6	5.5	0.2	23.4	
Cars	1742	5189	389	52	7372	407	4016	3178	56	7657	233	588	209	12	1042	3195	564	1151	36	4946	21017
% Cars	98.3	98	99.2	100	98.2	99.8	97.8	98.1	100	98	99.1	98.7	97.2	100	98.5	98.6	99.6	98.5	100	98.7	98.3
Single units	30	99	3	0	132	1	91	59	0	151	2	7	6	0	15	44	1	17	0	62	360
% Single units	1.7	1.9	0.8	0	1.8	0.2	2.2	1.8	0	1.9	0.9	1.2	2.8	0	1.4	1.4	0.2	1.5	0	1.2	1.7
Combo units	0	5	0	0	5	0	1	1	0	2	0	1	0	0	1	3	1	0	0	4	12
% Combo units	0	0.1	0	0	0.1	0	0	0	0	0	0	0.2	0	0	0.1	0.1	0.2	0	0	0.1	0.1

Hennepin County

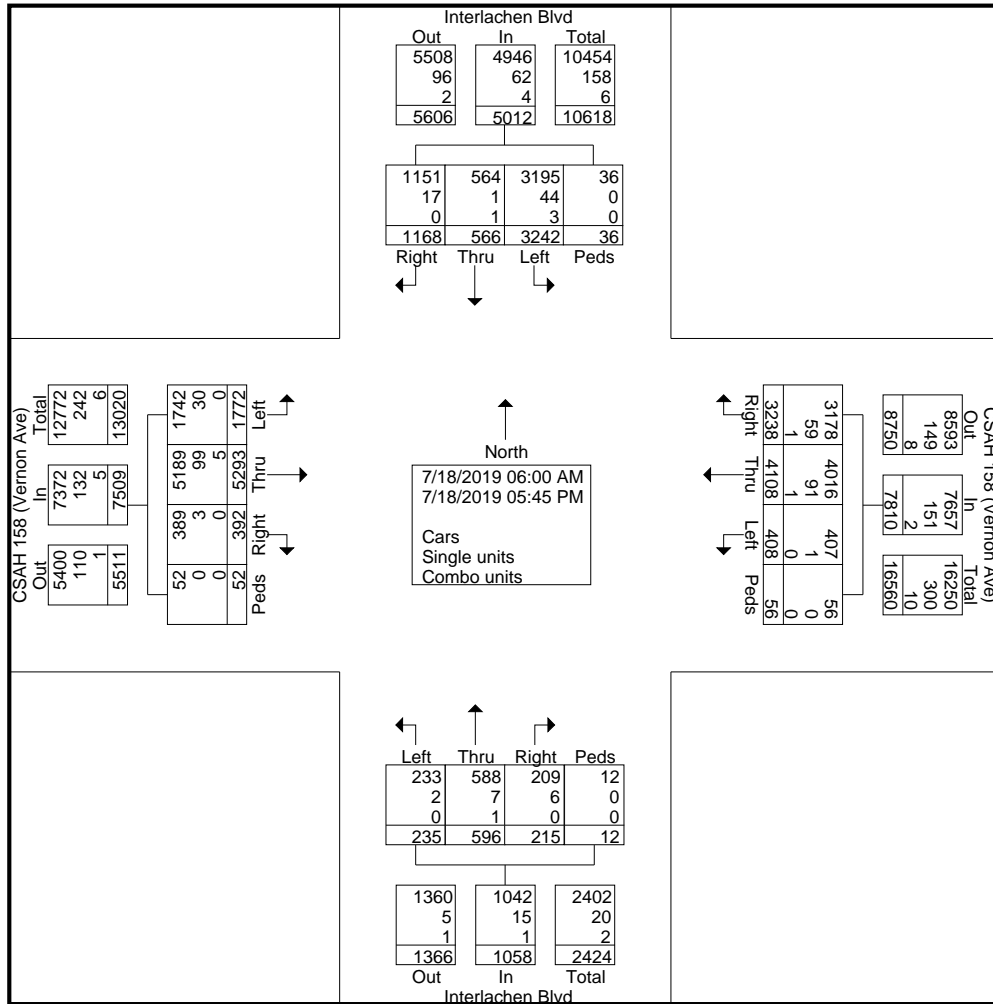
Turning movement count

File Name : 5381 - CSAH 158 & Interlachen Blvd

Site Code :

Start Date : 7/18/2019

Page No : 3



Hennepin County

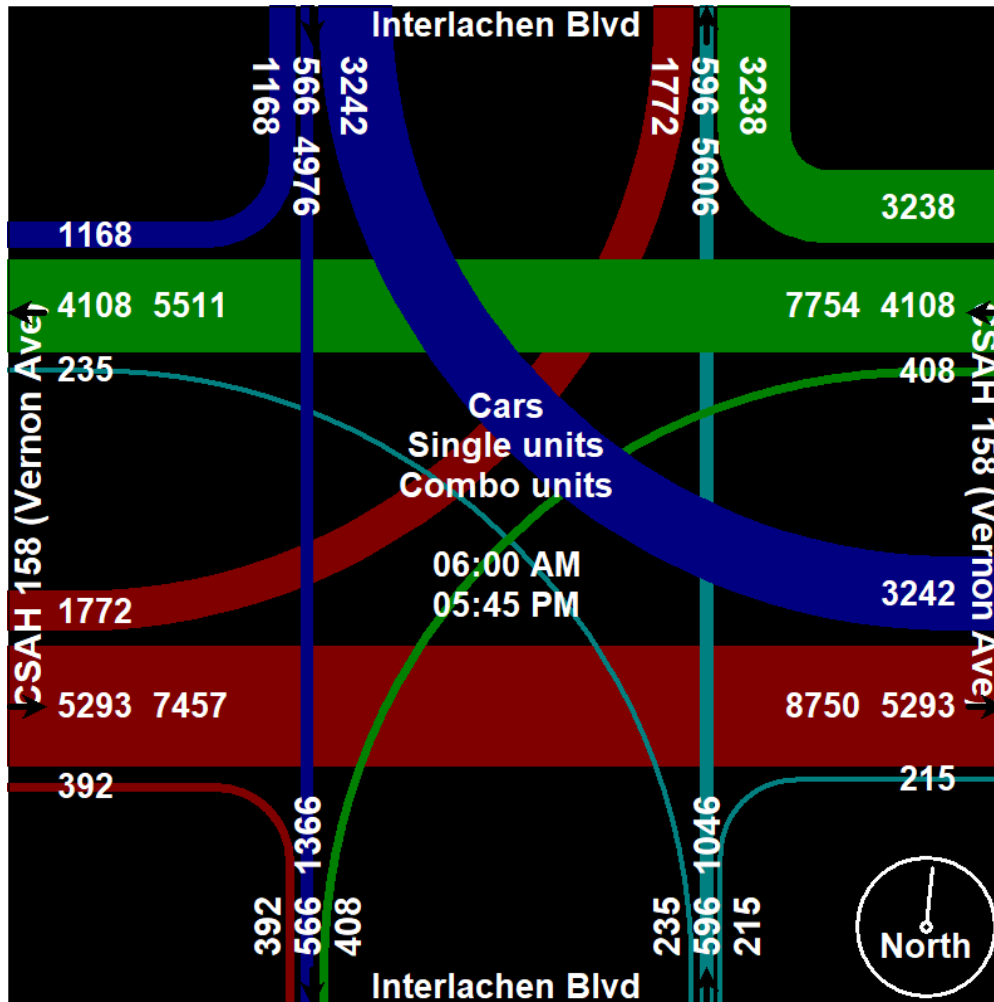
Turning movement count

File Name : 5381 - CSAH 158 & Interlachen Blvd

Site Code :

Start Date : 7/18/2019

Page No : 4



Hennepin County

Turning movement count

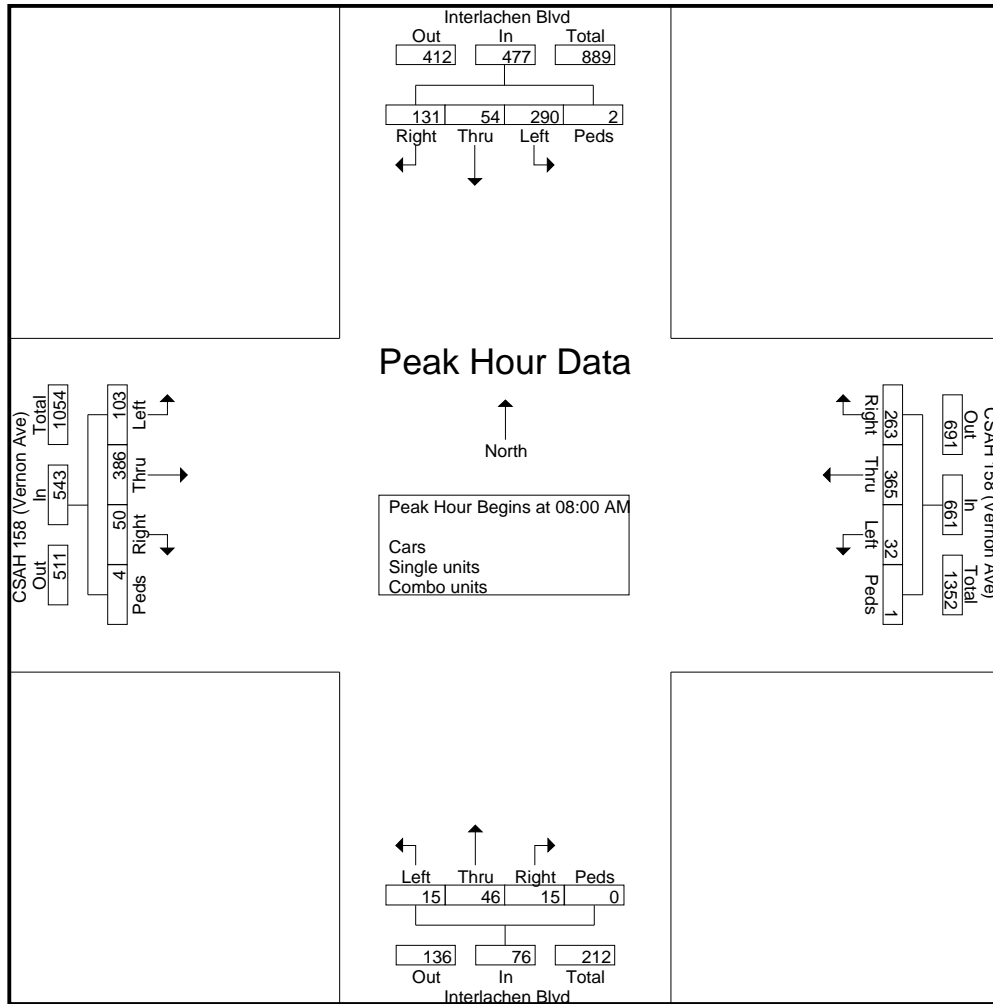
File Name : 5381 - CSAH 158 & Interlachen Blvd

Site Code :

Start Date : 7/18/2019

Page No : 5

Start Time	CSAH 158 (Vernon Ave) Eastbound					CSAH 158 (Vernon Ave) Westbound					Interlachen Blvd Northbound					Interlachen Blvd Southbound					Int. Total
	Left	Thru	Right	Peds	App. Total	Left	Thru	Right	Peds	App. Total	Left	Thru	Right	Peds	App. Total	Left	Thru	Right	Peds	App. Total	
Peak Hour Analysis From 06:00 AM to 09:45 AM - Peak 1 of 1																					
Peak Hour for Entire Intersection Begins at 08:00 AM																					
08:00 AM	19	92	10	0	121	9	99	57	0	165	3	12	2	0	17	78	14	38	0	130	433
08:15 AM	34	97	12	1	144	8	85	65	0	158	3	16	4	0	23	72	11	30	1	114	439
08:30 AM	23	98	17	1	139	8	82	61	1	152	3	8	5	0	16	73	16	30	1	120	427
08:45 AM	27	99	11	2	139	7	99	80	0	186	6	10	4	0	20	67	13	33	0	113	458
Total Volume	103	386	50	4	543	32	365	263	1	661	15	46	15	0	76	290	54	131	2	477	1757
% App. Total	19	71.1	9.2	0.7		4.8	55.2	39.8	0.2		19.7	60.5	19.7	0		60.8	11.3	27.5	0.4		
PHF	.757	.975	.735	.500	.943	.889	.922	.822	.250	.888	.625	.719	.750	.000	.826	.929	.844	.862	.500	.917	.959



Hennepin County

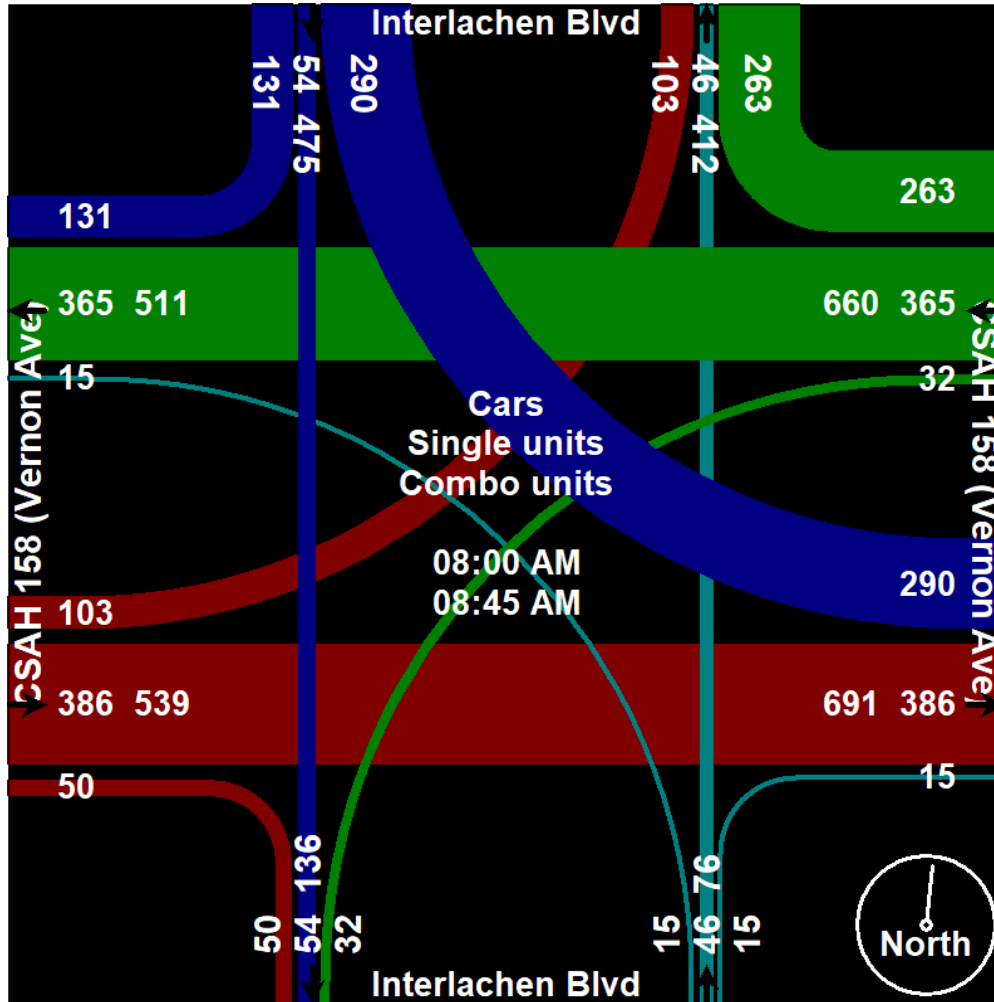
Turning movement count

File Name : 5381 - CSAH 158 & Interlachen Blvd

Site Code :

Start Date : 7/18/2019

Page No : 6



Hennepin County

Turning movement count

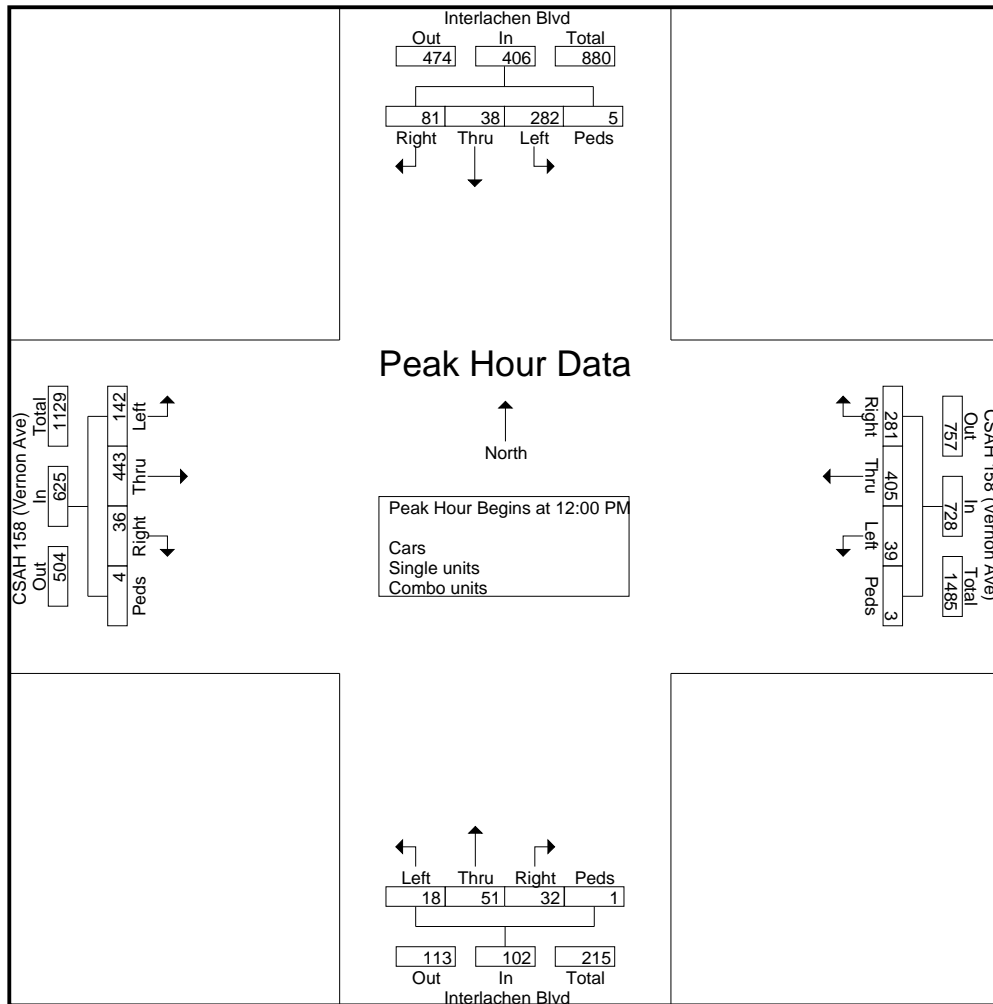
File Name : 5381 - CSAH 158 & Interlachen Blvd

Site Code :

Start Date : 7/18/2019

Page No : 7

Start Time	CSAH 158 (Vernon Ave) Eastbound					CSAH 158 (Vernon Ave) Westbound					Interlachen Blvd Northbound					Interlachen Blvd Southbound					Int. Total
	Left	Thru	Right	Peds	App. Total	Left	Thru	Right	Peds	App. Total	Left	Thru	Right	Peds	App. Total	Left	Thru	Right	Peds	App. Total	
Peak Hour Analysis From 10:00 AM to 01:45 PM - Peak 1 of 1																					
Peak Hour for Entire Intersection Begins at 12:00 PM																					
12:00 PM	37	105	5	1	148	7	107	62	1	177	4	15	12	1	32	77	10	18	3	108	465
12:15 PM	32	124	11	0	167	20	95	80	1	196	2	16	5	0	23	81	13	17	1	112	498
12:30 PM	37	115	9	1	162	6	96	74	1	177	7	8	9	0	24	61	9	23	1	94	457
12:45 PM	36	99	11	2	148	6	107	65	0	178	5	12	6	0	23	63	6	23	0	92	441
Total Volume	142	443	36	4	625	39	405	281	3	728	18	51	32	1	102	282	38	81	5	406	1861
% App. Total	22.7	70.9	5.8	0.6		5.4	55.6	38.6	0.4		17.6	50	31.4	1		69.5	9.4	20	1.2		
PHF	.959	.893	.818	.500	.936	.488	.946	.878	.750	.929	.643	.797	.667	.250	.797	.870	.731	.880	.417	.906	.934



Hennepin County

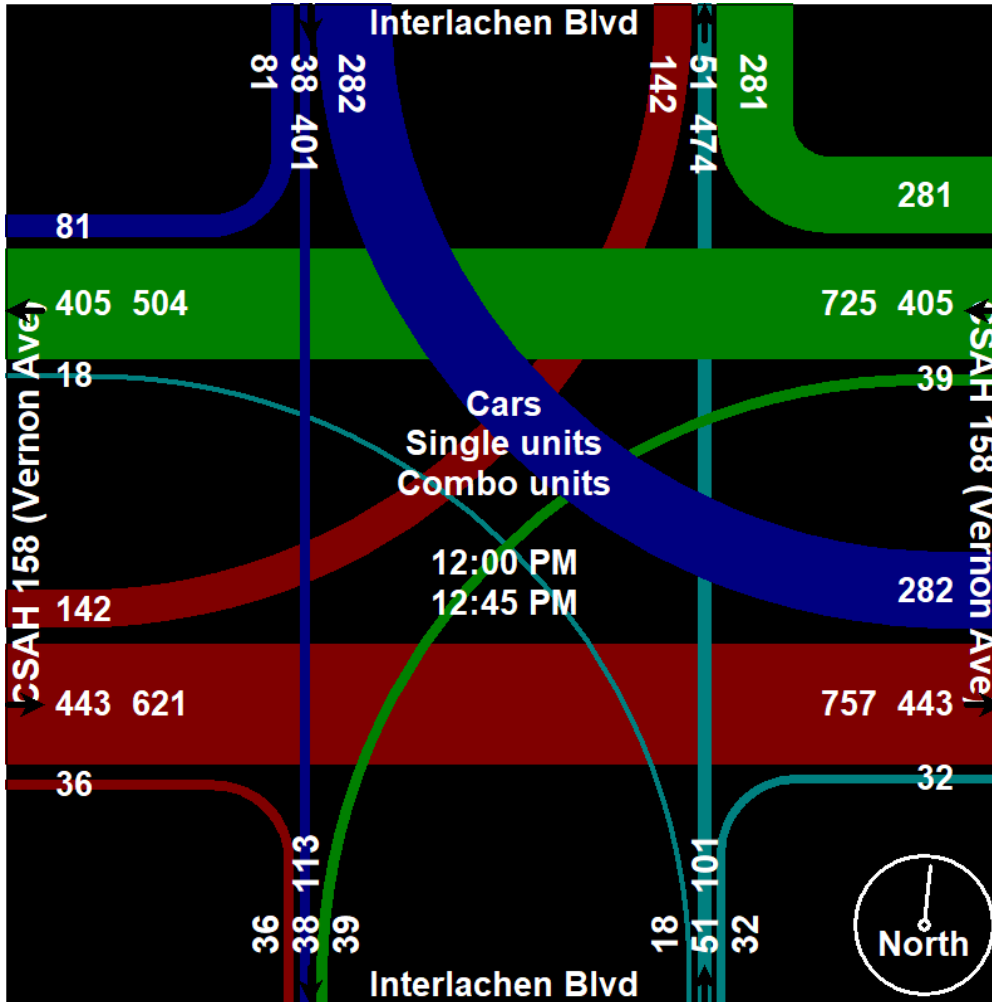
Turning movement count

File Name : 5381 - CSAH 158 & Interlachen Blvd

Site Code :

Start Date : 7/18/2019

Page No : 8



Hennepin County

Turning movement count

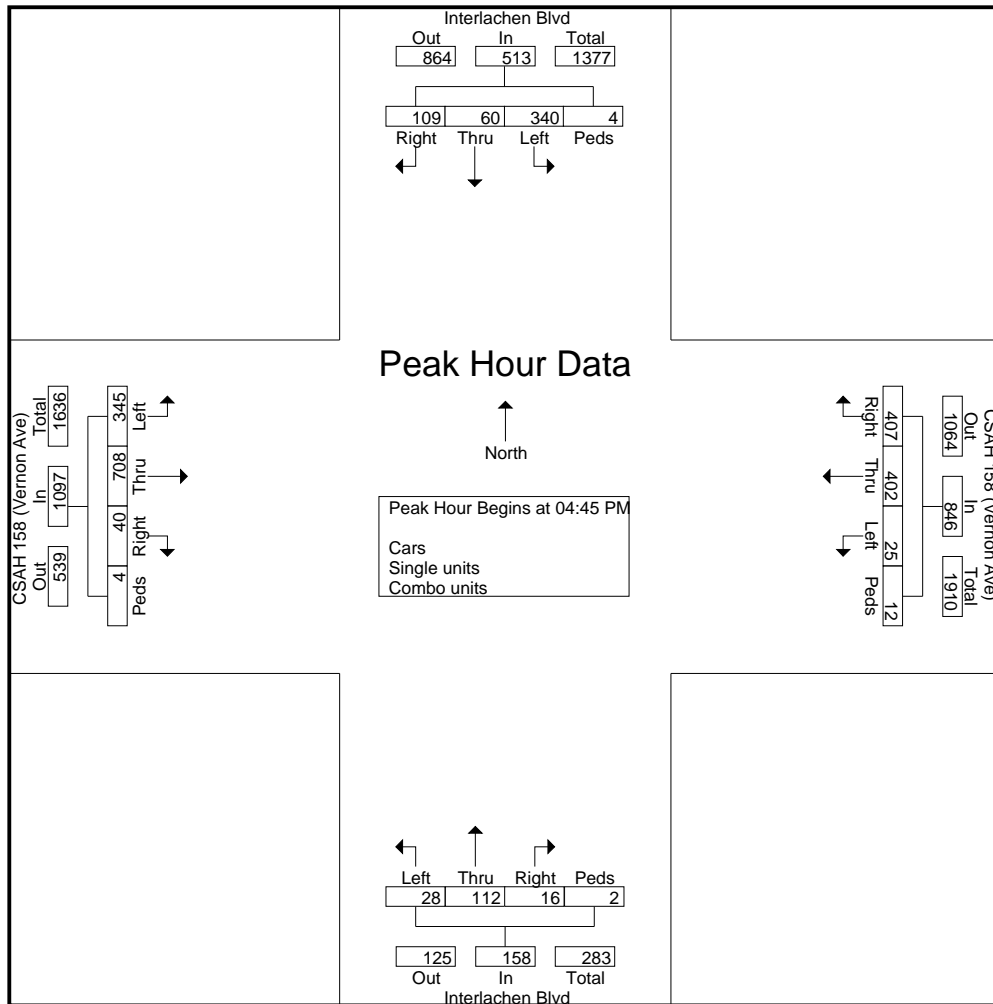
File Name : 5381 - CSAH 158 & Interlachen Blvd

Site Code :

Start Date : 7/18/2019

Page No : 9

Start Time	CSAH 158 (Vernon Ave) Eastbound					CSAH 158 (Vernon Ave) Westbound					Interlachen Blvd Northbound					Interlachen Blvd Southbound					Int. Total
	Left	Thru	Right	Peds	App. Total	Left	Thru	Right	Peds	App. Total	Left	Thru	Right	Peds	App. Total	Left	Thru	Right	Peds	App. Total	
Peak Hour Analysis From 02:00 PM to 05:45 PM - Peak 1 of 1																					
Peak Hour for Entire Intersection Begins at 04:45 PM																					
04:45 PM	93	190	12	1	296	9	94	93	2	198	3	22	5	1	31	83	23	27	0	133	658
05:00 PM	87	173	5	3	268	6	95	88	5	194	7	31	5	0	43	98	4	28	4	134	639
05:15 PM	83	162	11	0	256	6	101	129	0	236	10	27	6	1	44	68	14	26	0	108	644
05:30 PM	82	183	12	0	277	4	112	97	5	218	8	32	0	0	40	91	19	28	0	138	673
Total Volume	345	708	40	4	1097	25	402	407	12	846	28	112	16	2	158	340	60	109	4	513	2614
% App. Total	31.4	64.5	3.6	0.4		3	47.5	48.1	1.4		17.7	70.9	10.1	1.3		66.3	11.7	21.2	0.8		
PHF	.927	.932	.833	.333	.927	.694	.897	.789	.600	.896	.700	.875	.667	.500	.898	.867	.652	.973	.250	.929	.971



Hennepin County

Turning movement count

File Name : 5381 - CSAH 158 & Interlachen Blvd

Site Code :

Start Date : 7/18/2019

Page No : 10

