

SRF

Counted by: Kelcie
 Day of week: Tuesday
 Location: 11
 Other:

File Name : Bass Lk Rd_I-494 W Ramps_AM
 Site Code : 00000034
 Start Date : 4/20/2011
 Page No : 1

Groups Printed- Unshifted

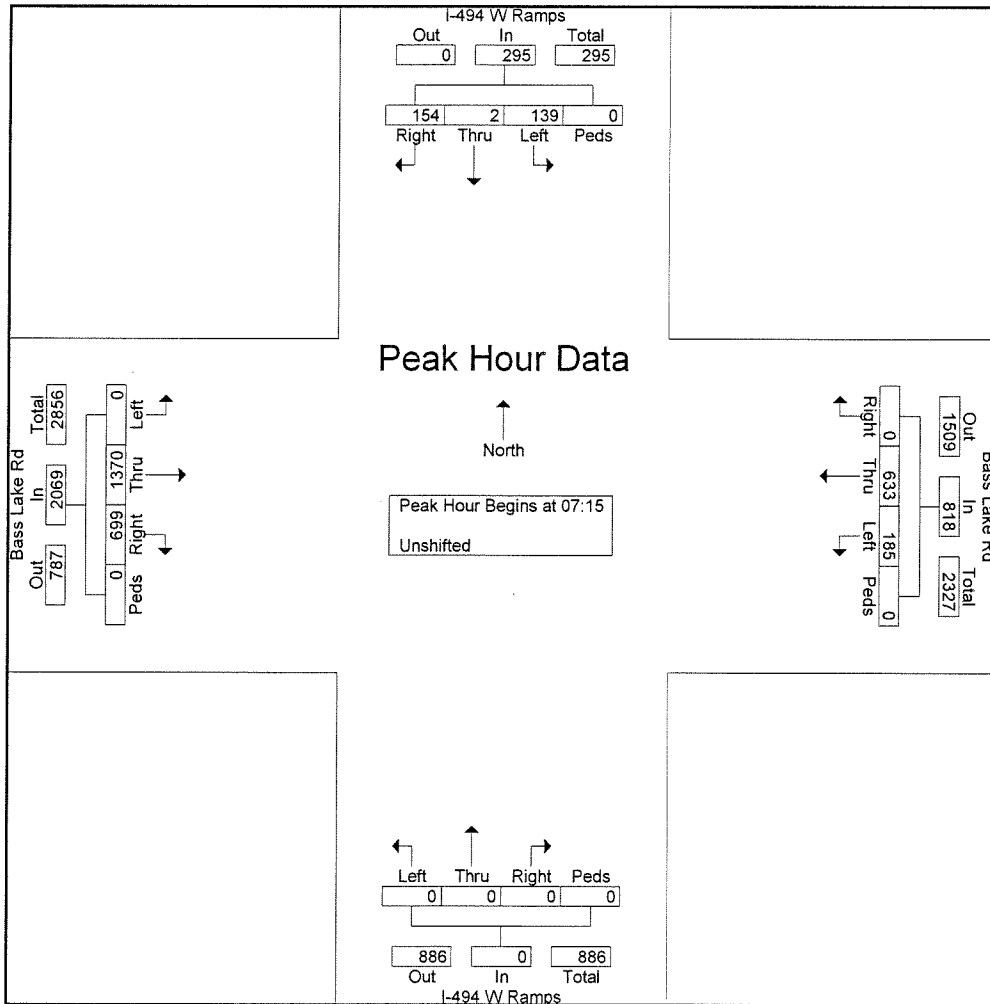
Start Time	I-494 W Ramps Southbound				Bass Lake Rd Westbound				I-494 W Ramps Northbound				Bass Lake Rd Eastbound				Int. Total
	Left	Thru	Right	Peds	Left	Thru	Right	Peds	Left	Thru	Right	Peds	Left	Thru	Right	Peds	
05:30	22	0	41	0	19	29	0	0	0	0	0	0	0	58	45	0	214
05:45	50	0	43	0	20	47	0	0	0	0	0	0	0	72	63	0	295
Total	72	0	84	0	39	76	0	0	0	0	0	0	0	130	108	0	509
06:00	22	0	22	0	30	25	0	0	0	0	0	0	0	79	78	0	256
06:15	28	0	37	0	26	57	0	0	0	0	0	0	0	124	131	0	403
06:30	36	0	43	0	27	42	0	0	0	0	0	0	0	203	155	0	506
06:45	39	0	43	0	43	90	0	0	0	0	0	0	0	254	131	0	600
Total	125	0	145	0	126	214	0	0	0	0	0	0	0	660	495	0	1765
07:00	31	0	41	0	43	86	0	0	0	0	0	0	0	315	177	0	693
07:15	36	1	31	0	53	128	0	0	0	0	0	0	0	343	167	0	759
07:30	30	0	39	0	48	158	0	0	0	0	0	0	0	366	209	0	850
07:45	28	1	48	0	45	180	0	0	0	0	0	0	0	379	178	0	859
Total	125	2	159	0	189	552	0	0	0	0	0	0	0	1403	731	0	3161
08:00	45	0	36	0	39	167	0	0	0	0	0	0	0	282	145	0	714
08:15	35	0	56	0	38	109	0	0	0	0	0	0	6	232	150	0	626
Grand Total	402	2	480	0	431	1118	0	0	0	0	0	0	6	2707	1629	0	6775
Apprch %	45.5	0.2	54.3	0	27.8	72.2	0	0	0	0	0	0	0.1	62.3	37.5	0	
Total %	5.9	0	7.1	0	6.4	16.5	0	0	0	0	0	0	0.1	40	24	0	

SRF

Counted by: Kelcie
 Day of week: Tuesday
 Location: 11
 Other:

File Name : Bass Lk Rd_I-494 W Ramps_AM
 Site Code : 00000034
 Start Date : 4/20/2011
 Page No : 2

Start Time	I-494 W Ramps Southbound					Bass Lake Rd Westbound					I-494 W Ramps Northbound					Bass Lake Rd Eastbound					Int. Total
	Left	Thru	Right	Peds	App. Total	Left	Thru	Right	Peds	App. Total	Left	Thru	Right	Peds	App. Total	Left	Thru	Right	Peds	App. Total	
Peak Hour Analysis From 05:30 to 08:15 - Peak 1 of 1																					
Peak Hour for Entire Intersection Begins at 07:15																					
07:15	36	1	31	0	68	53	128	0	0	181	0	0	0	0	0	0	343	167	0	510	759
07:30	30	0	39	0	69	48	158	0	0	206	0	0	0	0	0	0	366	209	0	575	850
07:45	28	1	48	0	77	45	180	0	0	225	0	0	0	0	0	0	379	178	0	557	859
08:00	45	0	36	0	81	39	167	0	0	206	0	0	0	0	0	0	282	145	0	427	714
Total Volume	139	2	154	0	295	185	633	0	0	818	0	0	0	0	0	0	1370	699	0	2069	3182
% App. Total	47.1	0.7	52.2	0		22.6	77.4	0	0		0	0	0	0		0	66.2	33.8	0		
PHF	.772	.500	.802	.000	.910	.873	.879	.000	.000	.909	.000	.000	.000	.000	.000	.000	.904	.836	.000	.900	.926



SRF

Counted by: Kelcie
 Day of week: Tuesday
 Location: 11
 Other:

File Name : Bass Lk Rd_I-494 W Ramps_PM
 Site Code : 00000034
 Start Date : 4/20/2011
 Page No : 1

Groups Printed- Unshifted

Start Time	I-494 W Ramps Southbound				Bass Lake Rd Westbound				I-494 W Ramps Northbound				Bass Lake Rd Eastbound				Int. Total
	Left	Thru	Right	Peds	Left	Thru	Right	Peds	Left	Thru	Right	Peds	Left	Thru	Right	Peds	
15:00	25	0	83	9	52	165	0	0	0	0	0	0	0	132	58	0	524
15:15	42	2	85	0	39	183	0	0	0	0	0	0	0	116	57	0	524
15:30	26	1	64	0	54	208	0	0	0	0	0	0	0	156	77	0	586
15:45	45	1	101	0	49	197	0	0	0	0	0	0	0	127	82	0	602
Total	138	4	333	9	194	753	0	0	0	0	0	0	0	531	274	0	2236
16:00	52	0	88	0	84	212	0	0	0	0	0	0	0	139	95	0	670
16:15	49	0	101	0	64	226	0	0	0	0	0	0	0	124	77	0	641
16:30	37	0	94	0	94	251	0	0	0	0	0	0	0	162	98	0	736
16:45	41	0	122	0	86	235	0	0	0	0	0	0	0	137	78	0	699
Total	179	0	405	0	328	924	0	0	0	0	0	0	0	562	348	0	2746
17:00	38	0	123	0	106	302	0	0	0	0	0	0	0	154	90	0	813
17:15	61	0	140	0	113	298	0	0	0	0	0	0	0	153	97	0	862
17:30	57	0	151	0	65	325	0	0	0	0	0	0	0	153	97	0	848
17:45	41	0	150	0	75	301	0	0	0	0	0	0	0	136	61	0	764
Total	197	0	564	0	359	1226	0	0	0	0	0	0	0	596	345	0	3287
Grand Total	514	4	1302	9	881	2903	0	0	0	0	0	0	0	1689	967	0	8269
Apprch %	28.1	0.2	71.2	0.5	23.3	76.7	0	0	0	0	0	0	0	63.6	36.4	0	
Total %	6.2	0	15.7	0.1	10.7	35.1	0	0	0	0	0	0	0	20.4	11.7	0	

SRF

Counted by: Kelcie
 Day of week: Tuesday
 Location: 11
 Other:

File Name : Bass Lk Rd_I-494 W Ramps_PM
 Site Code : 00000034
 Start Date : 4/20/2011
 Page No : 2

Start Time	I-494 W Ramps Southbound					Bass Lake Rd Westbound					I-494 W Ramps Northbound					Bass Lake Rd Eastbound					Int. Total
	Left	Thru	Right	Peds	App. Total	Left	Thru	Right	Peds	App. Total	Left	Thru	Right	Peds	App. Total	Left	Thru	Right	Peds	App. Total	
Peak Hour Analysis From 15:00 to 17:45 - Peak 1 of 1																					
Peak Hour for Entire Intersection Begins at 17:00																					
17:00	38	0	123	0	161	106	302	0	0	408	0	0	0	0	0	0	154	90	0	244	813
17:15	61	0	140	0	201	113	298	0	0	411	0	0	0	0	0	0	153	97	0	250	862
17:30	57	0	151	0	208	65	325	0	0	390	0	0	0	0	0	0	153	97	0	250	848
17:45	41	0	150	0	191	75	301	0	0	376	0	0	0	0	0	0	136	61	0	197	764
Total Volume	197	0	564	0	761	359	1226	0	0	1585	0	0	0	0	0	0	596	345	0	941	3287
% App. Total	25.9	0	74.1	0		22.6	77.4	0	0		0	0	0	0		0	63.3	36.7	0		
PHF	.807	.000	.934	.000	.915	.794	.943	.000	.000	.964	.000	.000	.000	.000	.000	.000	.968	.889	.000	.941	.953

