

Alliant Engineering, Inc.

733 Marquette Ave #700, Minneapolis, MN 55402

Flying Cloud Dr & Prairie Center Dr
 Ref Pt:
 data by: Alliant Inc
 TURN MOVEMENT COUNT

File Name : 8057500_HENN_Flying Cloud Dr at Prairie Center Dr_6
 Site Code : 8057500
 Start Date : 12/9/2020
 Page No : 1

Groups Printed- Cars - Trucks

Start Time	Flying Cloud Dr Southbound					Prairie Center Dr Westbound					Flying Cloud Dr Northbound					Prairie Center Dr Eastbound					Int. Total
	Right	Thru	Left	Peds	App. Total	Right	Thru	Left	Peds	App. Total	Right	Thru	Left	Peds	App. Total	Right	Thru	Left	Peds	App. Total	
05:00 AM	0	3	1	0	4	1	4	1	0	6	1	13	1	0	15	1	0	0	0	1	26
05:15 AM	1	4	0	0	5	2	5	1	0	8	4	10	1	0	15	3	1	0	0	4	32
05:30 AM	2	12	1	0	15	0	6	3	0	9	5	23	0	0	28	6	2	1	0	9	61
05:45 AM	2	13	0	0	15	0	31	9	0	40	2	12	3	0	17	9	2	0	0	11	83
Total	5	32	2	0	39	3	46	14	0	63	12	58	5	0	75	19	5	1	0	25	202
06:00 AM	2	12	1	0	15	3	12	14	0	29	7	21	4	0	32	8	7	1	0	16	92
06:15 AM	0	14	2	0	16	1	20	7	0	28	9	31	7	0	47	4	7	1	0	12	103
06:30 AM	1	18	0	0	19	1	23	3	0	27	5	37	9	0	51	7	6	3	0	16	113
06:45 AM	2	23	0	0	25	0	21	11	0	32	16	46	8	0	70	13	9	4	0	26	153
Total	5	67	3	0	75	5	76	35	0	116	37	135	28	0	200	32	29	9	0	70	461
07:00 AM	3	19	0	0	22	4	14	9	0	27	14	52	12	0	78	10	7	2	0	19	146
07:15 AM	3	30	0	1	34	3	19	12	0	34	14	41	15	0	70	12	24	3	0	39	177
07:30 AM	0	26	0	0	26	3	26	9	0	38	15	47	28	0	90	13	20	2	0	35	189
07:45 AM	0	50	2	0	52	0	34	14	0	48	18	58	14	0	90	17	17	3	0	37	227
Total	6	125	2	1	134	10	93	44	0	147	61	198	69	0	328	52	68	10	0	130	739
08:00 AM	0	5	0	0	5	0	39	5	0	44	4	10	17	0	31	20	23	2	0	45	125
08:15 AM	1	5	0	0	6	1	44	0	0	45	0	4	8	0	12	9	33	2	0	44	107
08:30 AM	0	25	0	0	25	1	33	8	0	42	1	6	19	0	26	10	34	0	0	44	137
08:45 AM	3	37	1	0	41	0	30	0	0	30	6	40	27	0	73	20	22	3	0	45	189
Total	4	72	1	0	77	2	146	13	0	161	11	60	71	0	142	59	112	7	0	178	558
09:00 AM	0	40	0	0	40	0	34	18	0	52	13	39	16	0	68	17	25	5	0	47	207
09:15 AM	1	44	1	0	46	1	31	12	0	44	10	47	15	0	72	10	36	10	0	56	218
09:30 AM	9	46	1	0	56	2	33	20	0	55	6	54	26	0	86	21	34	13	0	68	265
09:45 AM	6	39	3	0	48	3	36	30	0	69	3	66	25	0	94	26	45	6	0	77	288
Total	16	169	5	0	190	6	134	80	0	220	32	206	82	0	320	74	140	34	0	248	978
10:00 AM	8	38	7	0	53	4	45	23	0	72	11	68	18	0	97	17	50	8	0	75	297
10:15 AM	3	45	8	0	56	6	39	18	0	63	14	75	23	0	112	16	40	6	0	62	293
10:30 AM	3	36	7	0	46	7	41	33	0	81	14	47	30	0	91	19	50	10	0	79	297
10:45 AM	4	44	11	0	59	7	37	39	0	83	15	61	23	0	99	14	68	10	0	92	333
Total	18	163	33	0	214	24	162	113	0	299	54	251	94	0	399	66	208	34	0	308	1220
11:00 AM	6	42	12	0	60	3	59	32	0	94	24	58	28	0	110	21	47	11	0	79	343
11:15 AM	11	58	8	0	77	7	59	39	0	105	17	75	33	0	125	33	72	11	0	116	423
11:30 AM	9	73	25	0	107	7	56	46	0	109	14	64	50	0	128	25	60	15	0	100	444
11:45 AM	10	88	18	0	116	15	66	48	0	129	23	95	25	0	143	33	67	18	0	118	506
Total	36	261	63	0	360	32	240	165	0	437	78	292	136	0	506	112	246	55	0	413	1716
12:00 PM	8	75	13	0	96	11	66	54	0	131	24	78	37	0	139	31	83	20	0	134	500
12:15 PM	6	74	25	0	105	10	99	50	0	159	28	79	35	0	142	26	68	18	0	112	518
12:30 PM	6	71	13	1	91	20	68	50	0	138	24	75	42	0	141	28	72	18	0	118	488
12:45 PM	5	75	11	0	91	9	100	59	0	168	31	75	60	0	166	28	83	12	0	123	548
Total	25	295	62	1	383	50	333	213	0	596	107	307	174	0	588	113	306	68	0	487	2054
01:00 PM	6	60	21	0	87	8	66	45	0	119	35	88	34	0	157	26	62	12	0	100	463
01:15 PM	8	79	19	0	106	11	55	43	0	109	36	73	37	0	146	28	75	10	0	113	474
01:30 PM	5	63	9	0	77	9	76	35	0	120	12	62	41	0	115	26	70	9	0	105	417
01:45 PM	4	66	13	1	84	10	89	53	0	152	25	78	29	0	132	39	65	13	0	117	485
Total	23	268	62	1	354	38	286	176	0	500	108	301	141	0	550	119	272	44	0	435	1839
02:00 PM	7	64	12	1	84	15	69	52	0	136	25	58	31	0	114	26	55	14	0	95	429
02:15 PM	3	83	12	1	99	7	77	59	0	143	28	82	32	0	142	29	79	13	0	121	505
02:30 PM	11	87	26	1	125	13	66	47	0	126	28	91	30	0	149	24	75	8	0	107	507

Alliant Engineering, Inc.

733 Marquette Ave #700, Minneapolis, MN 55402

Flying Cloud Dr & Prairie Center Dr
 Ref Pt:
 data by: Alliant Inc
 TURN MOVEMENT COUNT

File Name : 8057500_HENN_Flying Cloud Dr at Prairie Center Dr_6
 Site Code : 8057500
 Start Date : 12/9/2020
 Page No : 2

Groups Printed- Cars - Trucks

Start Time	Flying Cloud Dr Southbound					Prairie Center Dr Westbound					Flying Cloud Dr Northbound					Prairie Center Dr Eastbound					Int. Total
	Right	Thru	Left	Peds	App. Total	Right	Thru	Left	Peds	App. Total	Right	Thru	Left	Peds	App. Total	Right	Thru	Left	Peds	App. Total	
02:45 PM	10	87	18	0	115	5	74	47	0	126	24	78	36	0	138	31	65	16	0	112	491
Total	31	321	68	3	423	40	286	205	0	531	105	309	129	0	543	110	274	51	0	435	1932
03:00 PM	14	67	17	1	99	6	64	55	0	125	19	55	40	0	114	23	98	20	0	141	479
03:15 PM	9	92	12	0	113	7	70	43	0	120	26	79	41	0	146	31	78	22	0	131	510
03:30 PM	6	76	10	0	92	6	81	52	0	139	25	68	29	0	122	32	61	11	0	104	457
03:45 PM	7	95	7	0	109	5	73	58	0	136	30	78	37	0	145	36	60	14	0	110	500
Total	36	330	46	1	413	24	288	208	0	520	100	280	147	0	527	122	297	67	0	486	1946
04:00 PM	5	83	15	0	103	6	78	48	0	132	16	63	37	0	116	40	70	13	0	123	474
04:15 PM	5	88	11	0	104	8	96	63	0	167	15	77	28	0	120	29	72	15	0	116	507
04:30 PM	8	111	13	0	132	10	79	46	0	135	15	77	42	0	134	38	78	16	0	132	533
04:45 PM	7	82	11	0	100	18	76	63	0	157	32	72	39	0	143	36	74	13	0	123	523
Total	25	364	50	0	439	42	329	220	0	591	78	289	146	0	513	143	294	57	0	494	2037
05:00 PM	4	100	12	0	116	7	76	52	0	135	18	75	36	0	129	44	79	7	0	130	510
05:15 PM	6	84	12	0	102	4	72	56	0	132	4	66	42	0	112	47	83	12	0	142	488
05:30 PM	10	81	15	0	106	8	89	54	0	151	12	75	43	0	130	42	75	9	0	126	513
05:45 PM	16	68	12	0	96	12	53	37	0	102	4	55	36	0	95	22	78	19	0	119	412
Total	36	333	51	0	420	31	290	199	0	520	38	271	157	0	466	155	315	47	0	517	1923
06:00 PM	7	68	11	0	86	14	77	42	0	133	13	47	29	0	89	40	78	9	0	127	435
06:15 PM	9	65	17	0	91	18	44	33	0	95	9	40	30	0	79	37	58	14	0	109	374
06:30 PM	7	49	4	0	60	9	67	24	0	100	13	61	23	0	97	27	63	6	0	96	353
06:45 PM	6	57	6	0	69	14	56	22	0	92	13	42	16	0	71	10	46	7	0	63	295
Total	29	239	38	0	306	55	244	121	0	420	48	190	98	0	336	114	245	36	0	395	1457
07:00 PM	7	46	4	0	57	19	68	25	0	112	7	42	19	0	68	29	54	12	0	95	332
07:15 PM	9	38	7	0	54	9	41	33	0	83	7	51	25	0	83	27	46	12	0	85	305
07:30 PM	5	53	7	0	65	10	37	27	0	74	9	28	15	0	52	21	42	6	0	69	260
07:45 PM	2	34	7	0	43	19	36	26	0	81	7	29	16	0	52	14	23	4	0	41	217
Total	23	171	25	0	219	57	182	111	0	350	30	150	75	0	255	91	165	34	0	290	1114
08:00 PM	3	42	8	0	53	5	33	23	0	61	1	23	16	0	40	16	27	6	0	49	203
08:15 PM	1	38	2	0	41	10	33	23	0	66	4	30	8	0	42	12	25	6	0	43	192
08:30 PM	0	41	2	0	43	6	20	23	0	49	13	31	6	0	50	12	23	4	0	39	181
08:45 PM	2	18	4	0	24	4	26	13	0	43	4	23	3	0	30	8	27	1	0	36	133
Total	6	139	16	0	161	25	112	82	0	219	22	107	33	0	162	48	102	17	0	167	709
09:00 PM	3	23	7	0	33	4	19	22	0	45	3	24	8	0	35	7	23	3	0	33	146
09:15 PM	1	20	4	0	25	4	23	22	0	49	6	16	8	0	30	7	17	2	0	26	130
09:30 PM	2	17	7	0	26	3	20	8	0	31	2	12	8	0	22	6	8	2	0	16	95
09:45 PM	1	20	8	0	29	5	18	9	0	32	8	17	3	0	28	6	15	2	0	23	112
Total	7	80	26	0	113	16	80	61	0	157	19	69	27	0	115	26	63	9	0	98	483
10:00 PM	0	17	0	0	17	3	7	11	0	21	9	14	5	0	28	4	17	2	0	23	89
10:15 PM	3	8	3	0	14	2	4	3	0	9	2	10	1	0	13	2	12	1	0	15	51
10:30 PM	1	7	3	0	11	1	12	5	0	18	2	16	0	0	18	0	3	0	0	3	50
10:45 PM	0	10	1	0	11	0	2	4	0	6	2	6	1	0	9	2	4	1	0	7	33
Total	4	42	7	0	53	6	25	23	0	54	15	46	7	0	68	8	36	4	0	48	223
Grand Total	335	3471	560	7	4373	466	3352	2083	0	5901	955	3519	1619	0	6093	1463	3177	584	0	5224	21591
Apprch %	7.7	79.4	12.8	0.2		7.9	56.8	35.3	0		15.7	57.8	26.6	0		28	60.8	11.2	0		
Total %	1.6	16.1	2.6	0	20.3	2.2	15.5	9.6	0	27.3	4.4	16.3	7.5	0	28.2	6.8	14.7	2.7	0	24.2	
Cars	329	3403	555	6	4293	464	3317	2069	0	5850	949	3457	1605	0	6011	1448	3140	578	0	5166	21320
% Cars	98.2	98	99.1	85.7	98.2	99.6	99	99.3	0	99.1	99.4	98.2	99.1	0	98.7	99	98.8	99	0	98.9	98.7
Trucks	6	68	5	1	80	2	35	14	0	51	6	62	14	0	82	15	37	6	0	58	271
% Trucks	1.8	2	0.9	14.3	1.8	0.4	1	0.7	0	0.9	0.6	1.8	0.9	0	1.3	1	1.2	1	0	1.1	1.3

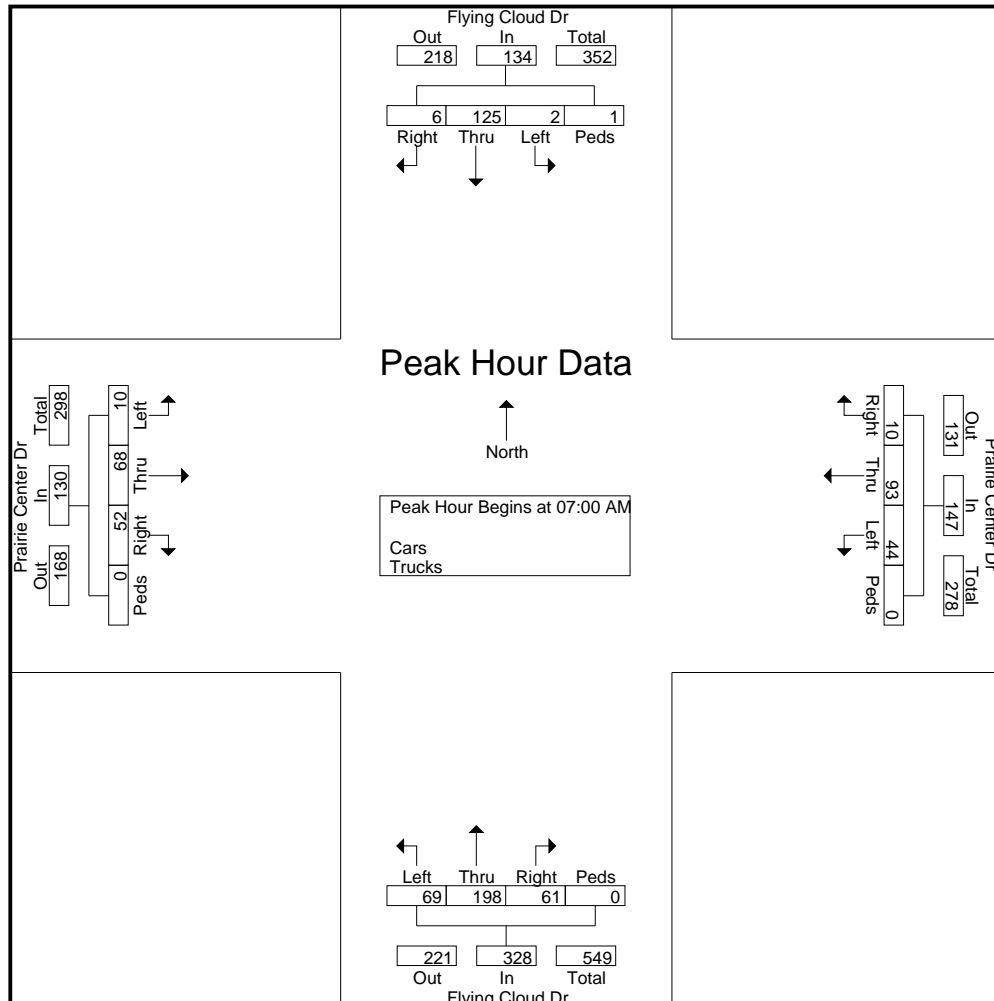
Alliant Engineering, Inc.

733 Marquette Ave #700, Minneapolis, MN 55402

Flying Cloud Dr & Prairie Center Dr
 Ref Pt:
 data by: Alliant Inc
 TURN MOVEMENT COUNT

File Name : 8057500_HENN_Flying Cloud Dr at Prairie Center Dr_6
 Site Code : 8057500
 Start Date : 12/9/2020
 Page No : 3

Start Time	Flying Cloud Dr Southbound					Prairie Center Dr Westbound					Flying Cloud Dr Northbound					Prairie Center Dr Eastbound					Int. Total
	Right	Thru	Left	Peds	App. Total	Right	Thru	Left	Peds	App. Total	Right	Thru	Left	Peds	App. Total	Right	Thru	Left	Peds	App. Total	
Peak Hour Analysis From 05:00 AM to 08:45 AM - Peak 1 of 1																					
Peak Hour for Entire Intersection Begins at 07:00 AM																					
07:00 AM	3	19	0	0	22	4	14	9	0	27	14	52	12	0	78	10	7	2	0	19	146
07:15 AM	3	30	0	1	34	3	19	12	0	34	14	41	15	0	70	12	24	3	0	39	177
07:30 AM	0	26	0	0	26	3	26	9	0	38	15	47	28	0	90	13	20	2	0	35	189
07:45 AM	0	50	2	0	52	0	34	14	0	48	18	58	14	0	90	17	17	3	0	37	227
Total Volume	6	125	2	1	134	10	93	44	0	147	61	198	69	0	328	52	68	10	0	130	739
% App. Total	4.5	93.3	1.5	0.7		6.8	63.3	29.9	0		18.6	60.4	21	0		40	52.3	7.7	0		
PHF	.500	.625	.250	.250	.644	.625	.684	.786	.000	.766	.847	.853	.616	.000	.911	.765	.708	.833	.000	.833	.814



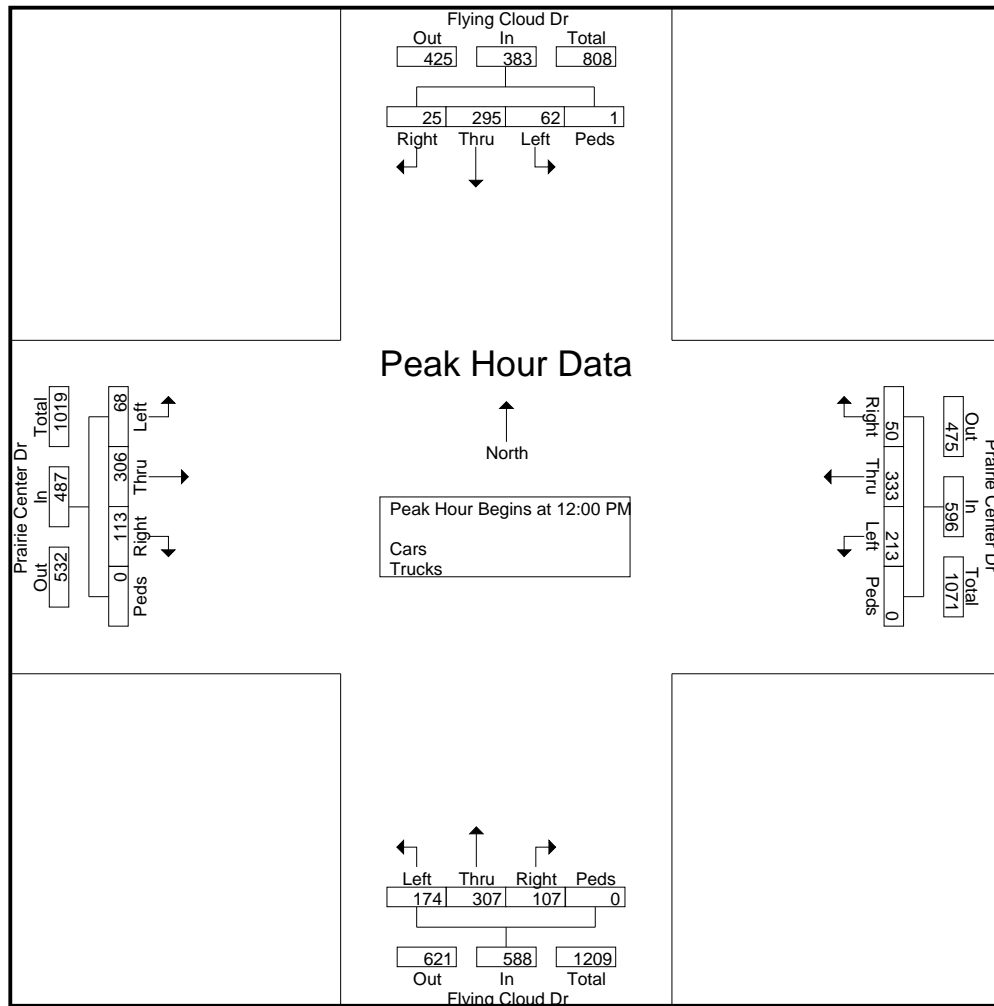
Alliant Engineering, Inc.

733 Marquette Ave #700, Minneapolis, MN 55402

Flying Cloud Dr & Prairie Center Dr
 Ref Pt:
 data by: Alliant Inc
 TURN MOVEMENT COUNT

File Name : 8057500_HENN_Flying Cloud Dr at Prairie Center Dr_6
 Site Code : 8057500
 Start Date : 12/9/2020
 Page No : 4

Start Time	Flying Cloud Dr Southbound					Prairie Center Dr Westbound					Flying Cloud Dr Northbound					Prairie Center Dr Eastbound					Int. Total
	Right	Thru	Left	Peds	App. Total	Right	Thru	Left	Peds	App. Total	Right	Thru	Left	Peds	App. Total	Right	Thru	Left	Peds	App. Total	
Peak Hour Analysis From 09:00 AM to 12:45 PM - Peak 1 of 1																					
Peak Hour for Entire Intersection Begins at 12:00 PM																					
12:00 PM	8	75	13	0	96	11	66	54	0	131	24	78	37	0	139	31	83	20	0	134	500
12:15 PM	6	74	25	0	105	10	99	50	0	159	28	79	35	0	142	26	68	18	0	112	518
12:30 PM	6	71	13	1	91	20	68	50	0	138	24	75	42	0	141	28	72	18	0	118	488
12:45 PM	5	75	11	0	91	9	100	59	0	168	31	75	60	0	166	28	83	12	0	123	548
Total Volume	25	295	62	1	383	50	333	213	0	596	107	307	174	0	588	113	306	68	0	487	2054
% App. Total	6.5	77	16.2	0.3		8.4	55.9	35.7	0		18.2	52.2	29.6	0		23.2	62.8	14	0		
PHF	.781	.983	.620	.250	.912	.625	.833	.903	.000	.887	.863	.972	.725	.000	.886	.911	.922	.850	.000	.909	.937



Alliant Engineering, Inc.

733 Marquette Ave #700, Minneapolis, MN 55402

Flying Cloud Dr & Prairie Center Dr
 Ref Pt:
 data by: Alliant Inc
 TURN MOVEMENT COUNT

File Name : 8057500_HENN_Flying Cloud Dr at Prairie Center Dr_6
 Site Code : 8057500
 Start Date : 12/9/2020
 Page No : 5

Start Time	Flying Cloud Dr Southbound					Prairie Center Dr Westbound					Flying Cloud Dr Northbound					Prairie Center Dr Eastbound					Int. Total
	Right	Thru	Left	Peds	App. Total	Right	Thru	Left	Peds	App. Total	Right	Thru	Left	Peds	App. Total	Right	Thru	Left	Peds	App. Total	
Peak Hour Analysis From 01:00 PM to 04:45 PM - Peak 1 of 1																					
Peak Hour for Entire Intersection Begins at 04:00 PM																					
04:00 PM	5	83	15	0	103	6	78	48	0	132	16	63	37	0	116	40	70	13	0	123	474
04:15 PM	5	88	11	0	104	8	96	63	0	167	15	77	28	0	120	29	72	15	0	116	507
04:30 PM	8	111	13	0	132	10	79	46	0	135	15	77	42	0	134	38	78	16	0	132	533
04:45 PM	7	82	11	0	100	18	76	63	0	157	32	72	39	0	143	36	74	13	0	123	523
Total Volume	25	364	50	0	439	42	329	220	0	591	78	289	146	0	513	143	294	57	0	494	2037
% App. Total	5.7	82.9	11.4	0		7.1	55.7	37.2	0		15.2	56.3	28.5	0		28.9	59.5	11.5	0		
PHF	.781	.820	.833	.000	.831	.583	.857	.873	.000	.885	.609	.938	.869	.000	.897	.894	.942	.891	.000	.936	.955

