



# MINNESOTA DEPT OF TRANSPORTATION

## TRAFFIC DATA COLLECTION - METRO

Loc: I494 @ LYNDAL AVE S. RAMP 2006 File Name : I494 @ LYNDAL AVE SOUTH RAMP 2006  
 REF. PT.: 004+00.854 Site Code : 00000000  
 Jamar# 1358/MAR Start Date : 2/13/2006  
 TURN MOVEMENT COUNT Page No : 1

**Groups Printed- Cars & Trucks**

Start Time	LYNDAL AVE Southbound					n/a Westbound					LYNDAL AVE Northbound					I494 S RAMPS Eastbound					Int. Total
	Left	Thru	Right	Peds	App. Total	Left	Thru	Right	Peds	App. Total	Left	Thru	Right	Peds	App. Total	Left	Thru	Right	Peds	App. Total	
06:00	4	45	0	0	49	0	0	0	0	0	0	18	10	0	28	17	0	38	0	55	132
06:15	10	49	0	0	59	0	0	0	0	0	0	34	10	0	44	17	0	42	0	59	162
06:30	14	44	0	0	58	0	0	0	0	0	0	25	13	0	38	35	0	48	0	83	179
06:45	20	71	0	0	91	0	0	0	0	0	0	30	14	2	46	55	0	55	0	110	247
Total	48	209	0	0	257	0	0	0	0	0	0	107	47	2	156	124	0	183	0	307	720
07:00	34	66	0	0	100	0	0	0	0	0	0	68	25	0	93	34	1	46	0	81	274
07:15	25	68	0	0	93	0	0	0	0	0	0	66	24	0	90	61	0	47	1	109	292
07:30	41	66	0	0	107	0	0	0	0	0	0	68	19	0	87	51	0	32	0	83	277
07:45	39	91	0	0	130	0	0	0	0	0	0	84	18	0	102	62	1	54	0	117	349
Total	139	291	0	0	430	0	0	0	0	0	0	286	86	0	372	208	2	179	1	390	1192
08:00	26	74	0	0	100	0	0	0	0	0	0	83	24	0	107	67	0	54	0	121	328
08:15	35	85	0	0	120	0	0	0	0	0	0	58	17	0	75	53	0	46	0	99	294
08:30	26	72	0	0	98	0	0	0	0	0	0	91	23	0	114	56	0	45	0	101	313
08:45	16	103	0	0	119	0	0	0	0	0	0	62	21	0	83	57	0	55	0	112	314
Total	103	334	0	0	437	0	0	0	0	0	0	294	85	0	379	233	0	200	0	433	1249
11:00	33	125	0	0	158	0	0	0	0	0	0	161	48	0	209	87	0	74	0	161	528
11:15	39	110	0	2	151	0	0	0	0	0	0	144	35	0	179	140	3	108	2	253	583
11:30	45	130	0	0	175	0	0	0	0	0	0	161	40	2	203	103	0	91	0	194	572
11:45	51	132	0	0	183	0	0	0	0	0	0	174	52	0	226	77	2	76	0	155	564
Total	168	497	0	2	667	0	0	0	0	0	0	640	175	2	817	407	5	349	2	763	2247
12:00	53	107	0	0	160	0	0	0	0	0	0	166	38	0	204	107	0	87	0	194	558
12:15	69	136	0	0	205	0	0	0	0	0	0	146	42	1	189	88	0	77	0	165	559
12:30	61	141	0	1	203	0	0	0	0	0	0	176	52	0	228	73	0	74	0	147	578
12:45	56	142	0	0	198	0	0	0	0	0	0	171	54	0	225	83	2	82	0	167	590
Total	239	526	0	1	766	0	0	0	0	0	0	659	186	1	846	351	2	320	0	673	2285
15:00	53	126	0	0	179	0	0	0	0	0	0	153	53	0	206	55	0	58	0	113	498
15:15	56	116	0	1	173	0	0	0	0	0	0	157	65	0	222	53	0	64	0	117	512
15:30	63	120	0	0	183	0	0	0	0	0	0	162	51	0	213	59	0	68	5	132	528
15:45	60	107	0	2	169	0	0	0	0	0	0	147	49	1	197	53	0	71	0	124	490
Total	232	469	0	3	704	0	0	0	0	0	0	619	218	1	838	220	0	261	5	486	2028
16:00	62	115	0	0	177	0	0	0	0	0	0	184	71	0	255	67	0	38	0	105	537
16:15	73	126	0	1	200	0	0	0	0	0	0	154	53	0	207	57	1	55	0	113	520
16:30	89	133	0	0	222	0	0	0	0	0	0	162	64	0	226	67	0	41	0	108	556
16:45	70	140	0	1	211	0	0	0	0	0	0	168	50	2	220	62	0	35	0	97	528
Total	294	514	0	2	810	0	0	0	0	0	0	668	238	2	908	253	1	169	0	423	2141
17:00	80	190	0	0	270	0	0	0	0	0	0	185	64	2	251	48	0	56	0	104	625
17:15	114	156	0	0	270	0	0	0	0	0	0	172	53	1	226	63	1	40	0	104	600
17:30	91	167	0	0	258	0	0	0	0	0	0	167	37	1	205	52	0	47	0	99	562
17:45	75	161	0	1	237	0	0	0	0	0	0	150	60	1	211	58	1	43	0	102	550
Total	360	674	0	1	1035	0	0	0	0	0	0	674	214	5	893	221	2	186	0	409	2337



# MINNESOTA DEPT OF TRANSPORTATION

## TRAFFIC DATA COLLECTION - METRO

File Name : I494 @ LYNDALVE AVE SOUTH RAMP 2006

Site Code : 00000000

Start Date : 2/13/2006

Page No : 2

Groups Printed- Cars & Trucks

	LYNDALVE AVE Southbound					n/a Westbound					LYNDALVE AVE Northbound					I494 S RAMPS Eastbound					Int. Total
	Left	Thru	Right	Peds	App. Total	Left	Thru	Right	Peds	App. Total	Left	Thru	Right	Peds	App. Total	Left	Thru	Right	Peds	App. Total	
Grand Total	1583	3514	0	9	5106	0	0	0	0	0	0	3947	1249	13	5209	2017	12	1847	8	3884	14199
Apprch %	31	68.8	0	0.2		0	0	0	0		0	75.8	24	0.2		51.9	0.3	47.6	0.2		
Total %	11.1	24.7	0	0.1	36	0	0	0	0	0	0	27.8	8.8	0.1	36.7	14.2	0.1	13	0.1	27.4	

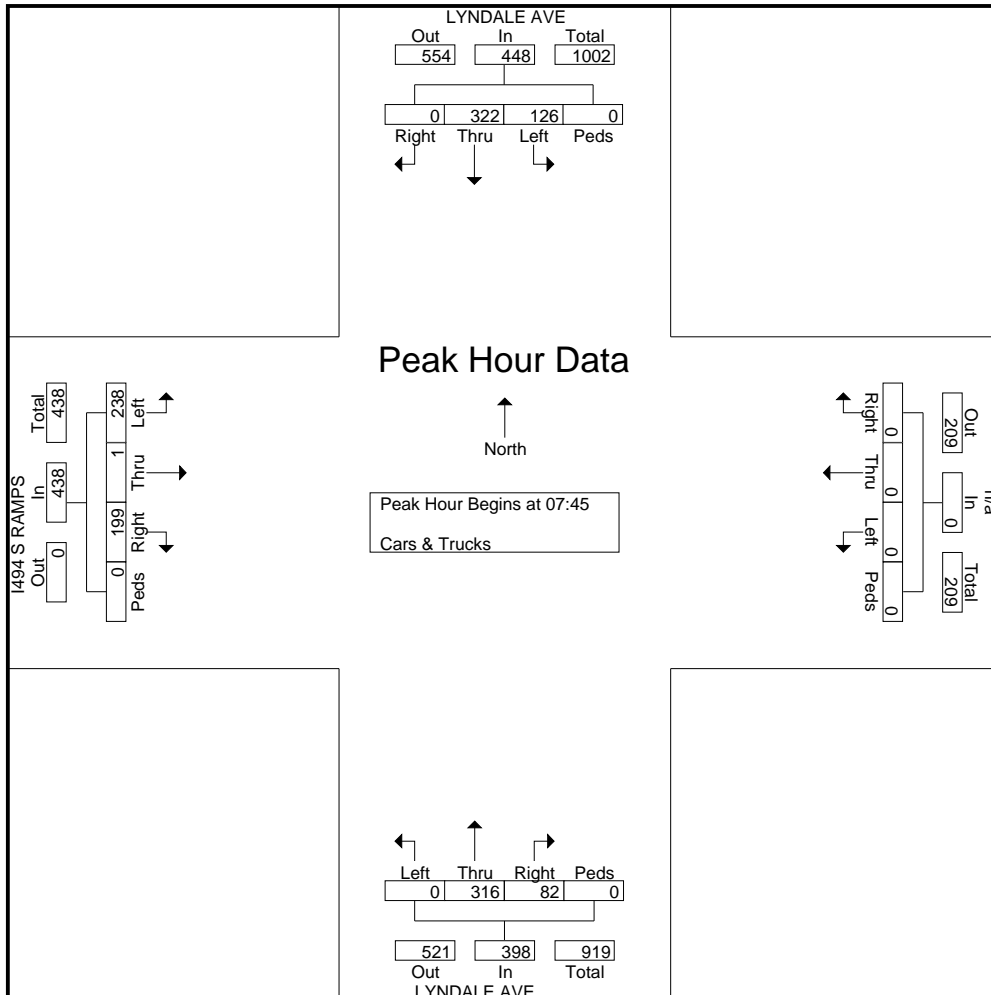


# MINNESOTA DEPT OF TRANSPORTATION

## TRAFFIC DATA COLLECTION - METRO

File Name : I494 @ LYNDAL AVE SOUTH RAMP 2006  
 Site Code : 00000000  
 Start Date : 2/13/2006  
 Page No : 3

Start Time	LYNDAL AVE Southbound					n/a Westbound					LYNDAL AVE Northbound					I494 S RAMPS Eastbound					Int. Total
	Left	Thru	Right	Peds	App. Total	Left	Thru	Right	Peds	App. Total	Left	Thru	Right	Peds	App. Total	Left	Thru	Right	Peds	App. Total	
Peak Hour Analysis From 06:00 to 08:45 - Peak 1 of 1																					
Peak Hour for Entire Intersection Begins at 07:45																					
07:45	39	91	0	0	130	0	0	0	0	0	0	84	18	0	102	62	1	54	0	117	349
08:00	26	74	0	0	100	0	0	0	0	0	0	83	24	0	107	67	0	54	0	121	328
08:15	35	85	0	0	120	0	0	0	0	0	0	58	17	0	75	53	0	46	0	99	294
08:30	26	72	0	0	98	0	0	0	0	0	0	91	23	0	114	56	0	45	0	101	313
Total Volume	126	322	0	0	448	0	0	0	0	0	0	316	82	0	398	238	1	199	0	438	1284
% App. Total	28.1	71.9	0	0		0	0	0	0		0	79.4	20.6	0		54.3	0.2	45.4	0		
PHF	.808	.885	.000	.000	.862	.000	.000	.000	.000	.000	.000	.868	.854	.000	.873	.888	.250	.921	.000	.905	.920



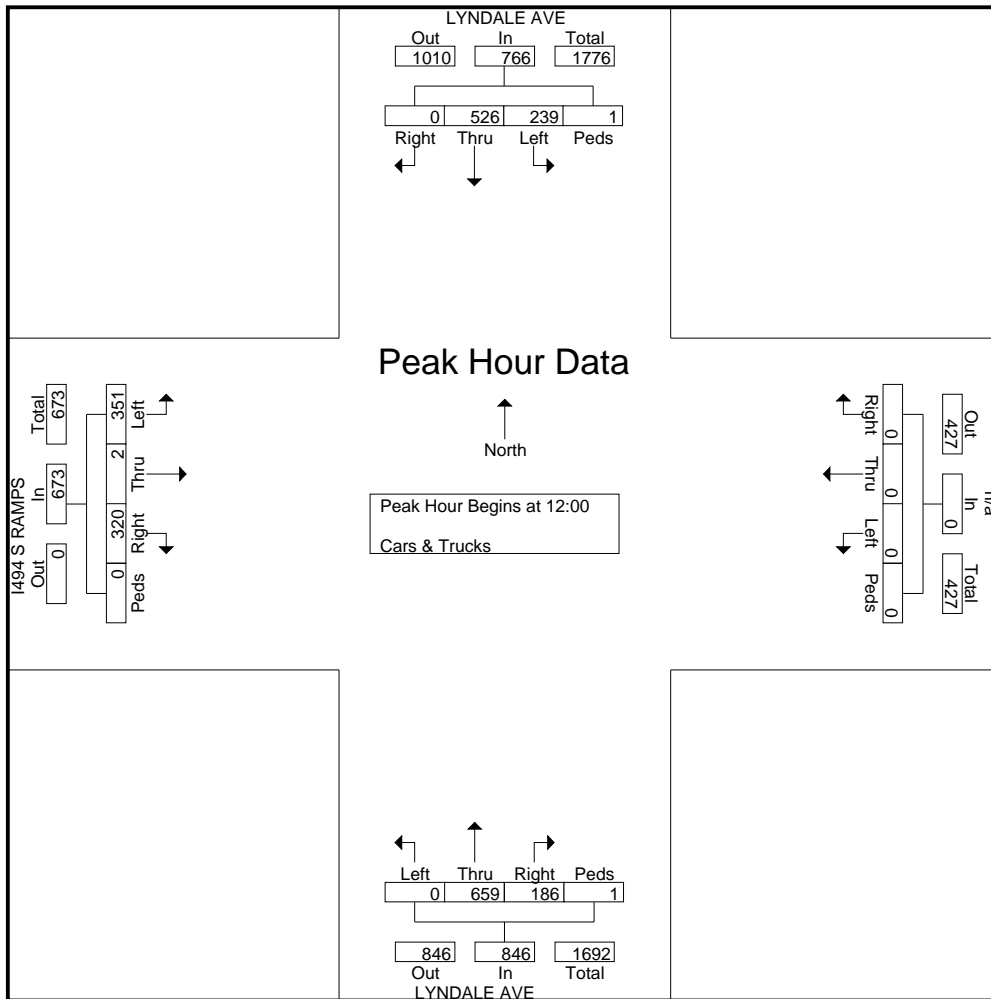


# MINNESOTA DEPT OF TRANSPORTATION

## TRAFFIC DATA COLLECTION - METRO

File Name : I494 @ LYNDALE AVE SOUTH RAMP 2006  
 Site Code : 00000000  
 Start Date : 2/13/2006  
 Page No : 4

Start Time	LYNDALE AVE Southbound					n/a Westbound					LYNDALE AVE Northbound					I494 S RAMPS Eastbound					Int. Total
	Left	Thru	Right	Peds	App. Total	Left	Thru	Right	Peds	App. Total	Left	Thru	Right	Peds	App. Total	Left	Thru	Right	Peds	App. Total	
Peak Hour Analysis From 11:00 to 12:45 - Peak 1 of 1																					
Peak Hour for Entire Intersection Begins at 12:00																					
12:00	53	107	0	0	160	0	0	0	0	0	0	166	38	0	204	107	0	87	0	194	558
12:15	69	136	0	0	205	0	0	0	0	0	0	146	42	1	189	88	0	77	0	165	559
12:30	61	141	0	1	203	0	0	0	0	0	0	176	52	0	228	73	0	74	0	147	578
12:45	56	142	0	0	198	0	0	0	0	0	0	171	54	0	225	83	2	82	0	167	590
Total Volume	239	526	0	1	766	0	0	0	0	0	0	659	186	1	846	351	2	320	0	673	2285
% App. Total	31.2	68.7	0	0.1		0	0	0	0		0	77.9	22	0.1		52.2	0.3	47.5	0		
PHF	.866	.926	.000	.250	.934	.000	.000	.000	.000	.000	.000	.936	.861	.250	.928	.820	.250	.920	.000	.867	.968





# MINNESOTA DEPT OF TRANSPORTATION

## TRAFFIC DATA COLLECTION - METRO

File Name : I494 @ LYNDALE AVE SOUTH RAMP 2006  
 Site Code : 00000000  
 Start Date : 2/13/2006  
 Page No : 5

Start Time	LYNDALE AVE Southbound					n/a Westbound					LYNDALE AVE Northbound					I494 S RAMPS Eastbound					Int. Total
	Left	Thru	Right	Peds	App. Total	Left	Thru	Right	Peds	App. Total	Left	Thru	Right	Peds	App. Total	Left	Thru	Right	Peds	App. Total	
17:00	80	<b>190</b>	0	0	<b>270</b>	0	0	0	0	0	0	<b>185</b>	<b>64</b>	<b>2</b>	<b>251</b>	48	0	<b>56</b>	0	<b>104</b>	<b>625</b>
17:15	<b>114</b>	156	0	0	270	0	0	0	0	0	0	172	53	1	226	<b>63</b>	<b>1</b>	40	0	104	600
17:30	91	167	0	0	258	0	0	0	0	0	0	167	37	1	205	52	0	47	0	99	562
17:45	75	161	0	<b>1</b>	237	0	0	0	0	0	0	150	60	1	211	58	1	43	0	102	550
Total Volume	360	674	0	1	1035	0	0	0	0	0	0	674	214	5	893	221	2	186	0	409	2337
% App. Total	34.8	65.1	0	0.1		0	0	0	0		0	75.5	24	0.6		54	0.5	45.5	0		
PHF	.789	.887	.000	.250	.958	.000	.000	.000	.000	.000	.000	.911	.836	.625	.889	.877	.500	.830	.000	.983	.935

Peak Hour Analysis From 15:00 to 17:45 - Peak 1 of 1  
 Peak Hour for Entire Intersection Begins at 17:00

