



# MINNESOTA DEPT OF TRANSPORTATION

## TRAFFIC DATA COLLECTION - METRO

LOC: I494 @ LYNDALE AV File Name : LYNDALE AV AND AMERICAN BLVD AM NOON PM 2006  
 AND AMERICAN BLVD 2006 Site Code : 00000000  
 Jamar# 1358/MAR Start Date : 2/28/2006  
 TURN MOVEMENT COUNT Page No : 1

### Groups Printed- Cars & Trucks

Start Time	LYNDALE AVE S Southbound					AMERICAN BLVD Westbound					LYNDALE AVE S Northbound					AMERICAN BLVD Eastbound					Int. Total
	Left	Thru	Right	Peds	App. Total	Left	Thru	Right	Peds	App. Total	Left	Thru	Right	Peds	App. Total	Left	Thru	Right	Peds	App. Total	
06:00	3	33	26	0	62	3	6	6	0	15	3	23	4	0	30	5	2	0	0	7	114
06:15	10	35	32	0	77	5	10	8	0	23	6	30	6	0	42	2	8	1	0	11	153
06:30	12	55	26	0	93	6	21	10	0	37	5	35	8	0	48	4	6	1	0	11	189
06:45	18	74	54	0	146	10	16	4	0	30	7	34	13	0	54	5	12	0	0	17	247
Total	43	197	138	0	378	24	53	28	0	105	21	122	31	0	174	16	28	2	0	46	703
07:00	22	61	32	0	115	11	26	9	0	46	7	50	12	0	69	8	12	2	0	22	252
07:15	26	62	28	0	116	9	46	15	0	70	10	66	18	0	94	7	18	9	0	34	314
07:30	19	79	33	0	131	23	97	23	0	143	10	76	18	0	104	4	15	1	0	20	398
07:45	18	78	32	0	128	30	131	22	0	183	14	72	38	0	124	10	36	8	0	54	489
Total	85	280	125	0	490	73	300	69	0	442	41	264	86	0	391	29	81	20	0	130	1453
08:00	22	75	44	0	141	21	98	21	0	140	9	64	27	0	100	13	24	10	0	47	428
08:15	24	68	34	0	126	23	87	13	0	123	6	71	28	0	105	13	14	10	0	37	391
08:30	34	84	33	0	151	17	55	23	0	95	15	53	16	0	84	15	15	11	0	41	371
08:45	29	65	41	0	135	25	44	44	1	114	11	44	18	0	73	12	20	8	0	40	362
Total	109	292	152	0	553	86	284	101	1	472	41	232	89	0	362	53	73	39	0	165	1552
11:00	49	77	24	2	152	31	56	53	0	140	17	86	40	0	143	40	35	28	1	104	539
11:15	48	98	27	0	173	42	61	35	0	138	12	98	40	0	150	39	44	21	0	104	565
11:30	61	108	33	0	202	26	48	73	1	148	28	92	37	5	162	52	34	21	3	110	622
11:45	44	92	32	0	168	42	55	49	0	146	30	101	34	1	166	31	54	21	0	106	586
Total	202	375	116	2	695	141	220	210	1	572	87	377	151	6	621	162	167	91	4	424	2312
12:00	66	102	35	1	204	39	58	62	1	160	12	109	56	1	178	61	71	32	2	166	708
12:15	37	89	33	1	160	38	63	38	2	141	11	112	48	3	174	56	55	27	1	139	614
12:30	58	125	28	1	212	41	80	42	1	164	26	122	38	1	187	41	43	24	2	110	673
12:45	46	115	38	1	200	42	63	52	0	157	24	105	35	0	164	50	71	23	0	144	665
Total	207	431	134	4	776	160	264	194	4	622	73	448	177	5	703	208	240	106	5	559	2660
15:00	57	96	69	1	223	43	57	43	0	143	17	115	41	0	173	104	83	33	0	220	759
15:15	48	82	49	1	180	35	58	52	0	145	12	101	27	1	141	54	66	33	0	153	619
15:30	53	101	15	0	169	41	51	48	0	140	15	119	33	0	167	73	71	37	0	181	657
15:45	50	80	22	1	153	41	60	42	2	145	14	98	40	2	154	53	90	34	0	177	629
Total	208	359	155	3	725	160	226	185	2	573	58	433	141	3	635	284	310	137	0	731	2664
16:00	26	71	21	0	118	39	65	40	0	144	16	119	41	0	176	58	102	33	0	193	631
16:15	40	110	24	1	175	48	78	40	0	166	14	130	46	0	190	42	110	33	0	185	716
16:30	25	94	23	0	142	55	58	43	1	157	19	109	46	0	174	76	132	28	1	237	710
16:45	40	86	30	0	156	36	82	43	0	161	13	119	48	0	180	85	148	40	0	273	770
Total	131	361	98	1	591	178	283	166	1	628	62	477	181	0	720	261	492	134	1	888	2827
17:00	38	118	40	1	197	56	99	33	0	188	21	116	41	0	178	84	189	33	0	306	869
17:15	48	112	26	0	186	47	100	34	0	181	16	120	39	1	176	61	168	36	0	265	808
17:30	42	105	31	0	178	38	97	38	0	173	21	117	37	0	175	74	141	32	0	247	773
17:45	39	95	38	0	172	43	113	33	0	189	27	127	37	1	192	72	94	32	0	198	751
Total	167	430	135	1	733	184	409	138	0	731	85	480	154	2	721	291	592	133	0	1016	3201



# MINNESOTA DEPT OF TRANSPORTATION

## TRAFFIC DATA COLLECTION - METRO

File Name : LYNDALE AV AND AMERICAN BLVD AM NOON PM 2006  
 Site Code : 00000000  
 Start Date : 2/28/2006  
 Page No : 2

**Groups Printed- Cars & Trucks**

	LYNDALE AVE S Southbound					AMERICAN BLVD Westbound					LYNDALE AVE S Northbound					AMERICAN BLVD Eastbound					Int. Total
	Left	Thru	Right	Peds	App. Total	Left	Thru	Right	Peds	App. Total	Left	Thru	Right	Peds	App. Total	Left	Thru	Right	Peds	App. Total	
Grand Total	1152	2725	1053	11	4941	1006	2039	1091	9	4145	468	2833	1010	16	4327	1304	1983	662	10	3959	17372
Apprch %	23.3	55.2	21.3	0.2		24.3	49.2	26.3	0.2		10.8	65.5	23.3	0.4		32.9	50.1	16.7	0.3		
Total %	6.6	15.7	6.1	0.1	28.4	5.8	11.7	6.3	0.1	23.9	2.7	16.3	5.8	0.1	24.9	7.5	11.4	3.8	0.1	22.8	

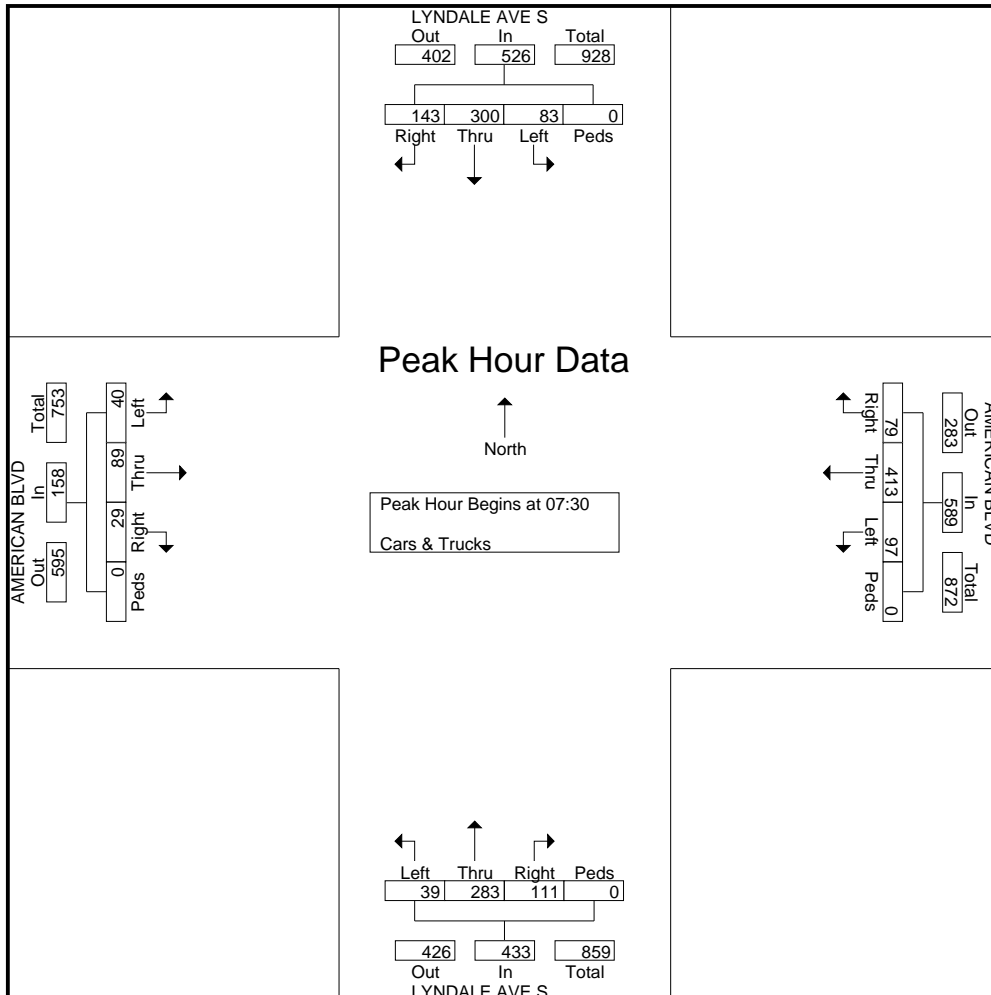


# MINNESOTA DEPT OF TRANSPORTATION

## TRAFFIC DATA COLLECTION - METRO

File Name : LYNDALe AV AND AMERICAN BLVD AM NOON PM 2006  
 Site Code : 00000000  
 Start Date : 2/28/2006  
 Page No : 3

Start Time	LYNDALe AVE S Southbound					AMERICAN BLVD Westbound					LYNDALe AVE S Northbound					AMERICAN BLVD Eastbound					Int. Total
	Left	Thru	Right	Peds	App. Total	Left	Thru	Right	Peds	App. Total	Left	Thru	Right	Peds	App. Total	Left	Thru	Right	Peds	App. Total	
Peak Hour Analysis From 06:00 to 08:45 - Peak 1 of 1																					
Peak Hour for Entire Intersection Begins at 07:30																					
07:30	19	79	33	0	131	23	97	23	0	143	10	76	18	0	104	4	15	1	0	20	398
07:45	18	78	32	0	128	30	131	22	0	183	14	72	38	0	124	10	36	8	0	54	489
08:00	22	75	44	0	141	21	98	21	0	140	9	64	27	0	100	13	24	10	0	47	428
08:15	24	68	34	0	126	23	87	13	0	123	6	71	28	0	105	13	14	10	0	37	391
Total Volume	83	300	143	0	526	97	413	79	0	589	39	283	111	0	433	40	89	29	0	158	1706
% App. Total	15.8	57	27.2	0		16.5	70.1	13.4	0		9	65.4	25.6	0		25.3	56.3	18.4	0		
PHF	.865	.949	.813	.000	.933	.808	.788	.859	.000	.805	.696	.931	.730	.000	.873	.769	.618	.725	.000	.731	.872



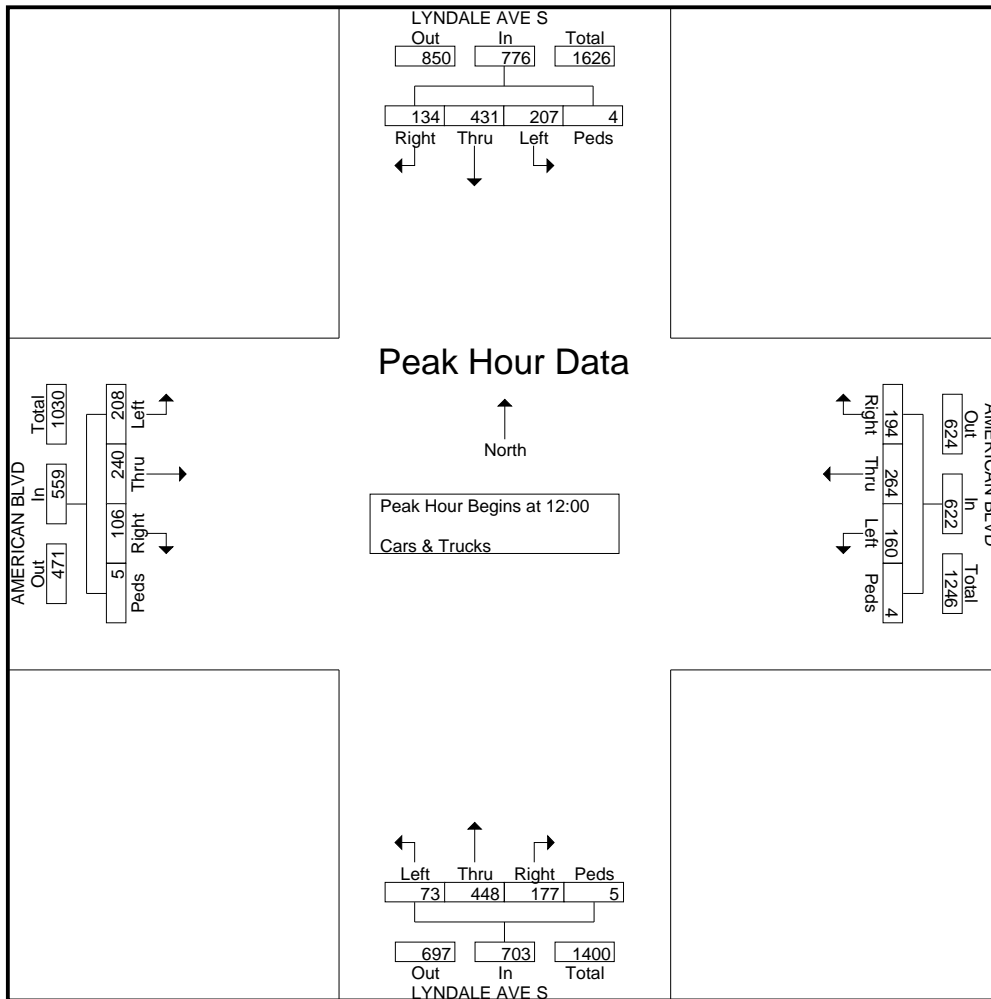


# MINNESOTA DEPT OF TRANSPORTATION

## TRAFFIC DATA COLLECTION - METRO

File Name : LYNDALE AV AND AMERICAN BLVD AM NOON PM 2006  
 Site Code : 00000000  
 Start Date : 2/28/2006  
 Page No : 4

Start Time	LYNDALE AVE S Southbound					AMERICAN BLVD Westbound					LYNDALE AVE S Northbound					AMERICAN BLVD Eastbound					Int. Total
	Left	Thru	Right	Peds	App. Total	Left	Thru	Right	Peds	App. Total	Left	Thru	Right	Peds	App. Total	Left	Thru	Right	Peds	App. Total	
Peak Hour Analysis From 11:00 to 12:45 - Peak 1 of 1																					
Peak Hour for Entire Intersection Begins at 12:00																					
12:00	66	102	35	1	204	39	58	62	1	160	12	109	56	1	178	61	71	32	2	166	708
12:15	37	89	33	1	160	38	63	38	2	141	11	112	48	3	174	56	55	27	1	139	614
12:30	58	125	28	1	212	41	80	42	1	164	26	122	38	1	187	41	43	24	2	110	673
12:45	46	115	38	1	200	42	63	52	0	157	24	105	35	0	164	50	71	23	0	144	665
Total Volume	207	431	134	4	776	160	264	194	4	622	73	448	177	5	703	208	240	106	5	559	2660
% App. Total	26.7	55.5	17.3	0.5		25.7	42.4	31.2	0.6		10.4	63.7	25.2	0.7		37.2	42.9	19	0.9		
PHF	.784	.862	.882	1.000	.915	.952	.825	.782	.500	.948	.702	.918	.790	.417	.940	.852	.845	.828	.625	.842	.939





# MINNESOTA DEPT OF TRANSPORTATION

## TRAFFIC DATA COLLECTION - METRO

File Name : LYNDALE AV AND AMERICAN BLVD AM NOON PM 2006  
 Site Code : 00000000  
 Start Date : 2/28/2006  
 Page No : 5

Start Time	LYNDALE AVE S Southbound					AMERICAN BLVD Westbound					LYNDALE AVE S Northbound					AMERICAN BLVD Eastbound					Int. Total
	Left	Thru	Right	Peds	App. Total	Left	Thru	Right	Peds	App. Total	Left	Thru	Right	Peds	App. Total	Left	Thru	Right	Peds	App. Total	
Peak Hour Analysis From 15:00 to 17:45 - Peak 1 of 1																					
Peak Hour for Entire Intersection Begins at 16:45																					
16:45	40	86	30	0	156	36	82	43	0	161	13	119	48	0	180	85	148	40	0	273	770
17:00	38	118	40	1	197	56	99	33	0	188	21	116	41	0	178	84	189	33	0	306	869
17:15	48	112	26	0	186	47	100	34	0	181	16	120	39	1	176	61	168	36	0	265	808
17:30	42	105	31	0	178	38	97	38	0	173	21	117	37	0	175	74	141	32	0	247	773
Total Volume	168	421	127	1	717	177	378	148	0	703	71	472	165	1	709	304	646	141	0	1091	3220
% App. Total	23.4	58.7	17.7	0.1		25.2	53.8	21.1	0		10	66.6	23.3	0.1		27.9	59.2	12.9	0		
PHF	.875	.892	.794	.250	.910	.790	.945	.860	.000	.935	.845	.983	.859	.250	.985	.894	.854	.881	.000	.891	.926

