



MINNESOTA DEPT OF TRANSPORTATION

TRAFFIC COLLECTION - METRO

Location: CO. RD.-96 AT W. ROUND LAKE File Name : C0 RD 96 AT W ROUND LAKE RD 2006
 REF.PT: Site Code : 00000000
 JAMAR#632\DR Start Date : 7/26/2006
 TURN MOVEMENT COUNT Page No : 1

Groups Printed- Cars & Trucks

Start Time	W ROUND LAKE RD Southbound				CO RD 96 Westbound				W ROUND LAKE RD Northbound				CO RD 96 Eastbound				Int. Total
	Right	Thru	Left	Peds	Right	Thru	Left	Peds	Right	Thru	Left	Peds	Right	Thru	Left	Peds	
06:00	0	0	0	0	0	88	15	0	7	0	25	0	27	30	0	0	192
06:15	0	0	0	0	0	100	15	0	10	0	14	0	34	39	0	0	212
06:30	0	0	0	0	0	126	34	0	12	0	29	0	68	54	0	0	323
06:45	0	0	0	0	0	199	36	0	12	0	26	0	66	86	0	0	425
Total	0	0	0	0	0	513	100	0	41	0	94	0	195	209	0	0	1152
07:00	0	0	0	0	0	158	30	0	12	0	20	0	48	68	0	0	336
07:15	0	0	0	0	0	189	35	0	17	0	15	0	54	91	0	0	401
07:30	0	0	0	0	0	228	45	0	17	0	23	0	45	135	0	0	493
07:45	0	0	0	0	0	182	39	0	13	0	41	0	92	157	0	0	524
Total	0	0	0	0	0	757	149	0	59	0	99	0	239	451	0	0	1754
08:00	0	0	0	0	0	170	31	0	18	0	33	0	77	101	0	0	430
08:15	0	0	0	0	0	166	34	0	17	0	28	0	64	93	0	0	402
08:30	0	0	0	0	0	181	14	0	15	0	38	0	47	85	0	0	380
08:45	0	0	0	0	0	145	22	0	23	0	25	0	35	95	0	0	345
Total	0	0	0	0	0	662	101	0	73	0	124	0	223	374	0	0	1557
15:00	0	0	0	0	0	110	26	0	103	0	148	0	66	105	0	0	558
15:15	0	0	0	0	0	112	25	0	36	0	54	0	69	111	0	0	407
15:30	0	0	0	0	0	100	17	0	44	0	60	0	28	147	0	0	396
15:45	0	0	0	0	0	143	15	0	26	0	64	0	23	123	0	0	394
Total	0	0	0	0	0	465	83	0	209	0	326	0	186	486	0	0	1755
16:00	0	0	0	0	0	146	11	0	50	0	55	0	29	160	0	0	451
16:15	0	0	0	0	0	128	23	0	41	0	39	0	18	175	0	0	424
16:30	0	0	0	0	0	162	8	0	82	0	68	0	22	201	0	0	543
16:45	0	0	0	0	0	153	18	0	36	0	53	0	19	198	0	0	477
Total	0	0	0	0	0	589	60	0	209	0	215	0	88	734	0	0	1895
17:00	0	0	0	0	0	182	9	0	48	0	60	0	25	171	0	0	495
17:15	0	0	0	0	0	175	20	0	42	0	42	0	20	159	0	0	458
17:30	0	0	0	0	0	188	12	0	31	0	48	0	20	160	0	0	459
17:45	0	0	0	0	0	160	11	0	18	0	34	0	13	169	0	0	405
Total	0	0	0	0	0	705	52	0	139	0	184	0	78	659	0	0	1817
Grand Total	0	0	0	0	0	3691	545	0	730	0	1042	0	1009	2913	0	0	9930
Apprch %	0	0	0	0	0	87.1	12.9	0	41.2	0	58.8	0	25.7	74.3	0	0	
Total %	0	0	0	0	0	37.2	5.5	0	7.4	0	10.5	0	10.2	29.3	0	0	

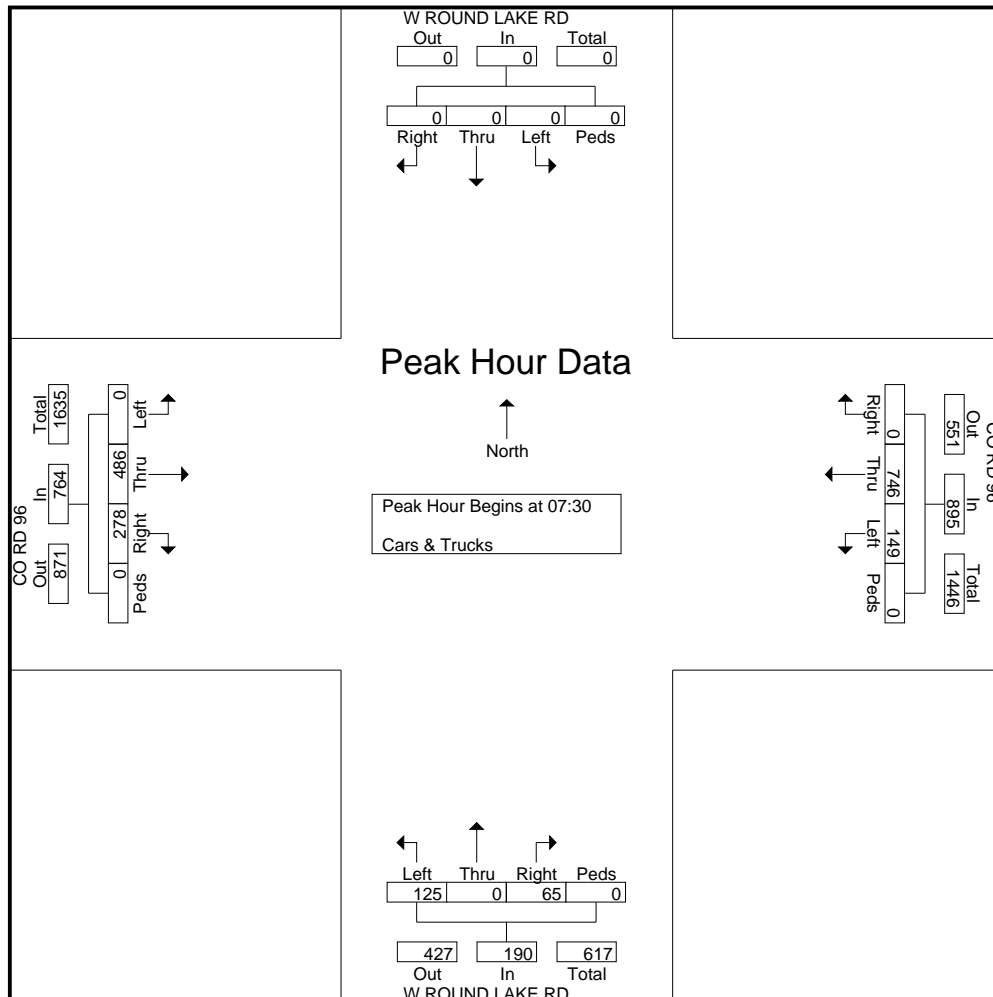


MINNESOTA DEPT OF TRANSPORTATION

TRAFFIC COLLECTION - METRO

Location: CO. RD.-96 AT W. ROUND LAKE File Name : C0 RD 96 AT W ROUND LAKE RD 2006
 REF.PT: Site Code : 00000000
 JAMAR#632\DR Start Date : 7/26/2006
 TURN MOVEMENT COUNT Page No : 2

Start Time	W ROUND LAKE RD Southbound					CO RD 96 Westbound					W ROUND LAKE RD Northbound					CO RD 96 Eastbound					Int. Total
	Right	Thru	Left	Peds	App. Total	Right	Thru	Left	Peds	App. Total	Right	Thru	Left	Peds	App. Total	Right	Thru	Left	Peds	App. Total	
Peak Hour Analysis From 06:00 to 08:45 - Peak 1 of 1																					
Peak Hour for Entire Intersection Begins at 07:30																					
07:30	0	0	0	0	0	0	228	45	0	273	17	0	23	0	40	45	135	0	0	180	493
07:45	0	0	0	0	0	0	182	39	0	221	13	0	41	0	54	92	157	0	0	249	524
08:00	0	0	0	0	0	0	170	31	0	201	18	0	33	0	51	77	101	0	0	178	430
08:15	0	0	0	0	0	0	166	34	0	200	17	0	28	0	45	64	93	0	0	157	402
Total Volume	0	0	0	0	0	0	746	149	0	895	65	0	125	0	190	278	486	0	0	764	1849
% App. Total	0	0	0	0	0	0	83.4	16.6	0		34.2	0	65.8	0		36.4	63.6	0	0		
PHF	.000	.000	.000	.000	.000	.000	.818	.828	.000	.820	.903	.000	.762	.000	.880	.755	.774	.000	.000	.767	.882





MINNESOTA DEPT OF TRANSPORTATION

TRAFFIC COLLECTION - METRO

Location: CO. RD.-96 AT W. ROUND LAKE File Name : C0 RD 96 AT W ROUND LAKE RD 2006
 REF.PT: Site Code : 00000000
 JAMAR#632\DR Start Date : 7/26/2006
 TURN MOVEMENT COUNT Page No : 3

Start Time	W ROUND LAKE RD Southbound					CO RD 96 Westbound					W ROUND LAKE RD Northbound					CO RD 96 Eastbound					Int. Total
	Right	Thru	Left	Peds	App. Total	Right	Thru	Left	Peds	App. Total	Right	Thru	Left	Peds	App. Total	Right	Thru	Left	Peds	App. Total	
Peak Hour Analysis From 15:00 to 17:45 - Peak 1 of 1																					
Peak Hour for Entire Intersection Begins at 16:30																					
16:30	0	0	0	0	0	0	162	8	0	170	82	0	68	0	150	22	201	0	0	223	543
16:45	0	0	0	0	0	0	153	18	0	171	36	0	53	0	89	19	198	0	0	217	477
17:00	0	0	0	0	0	0	182	9	0	191	48	0	60	0	108	25	171	0	0	196	495
17:15	0	0	0	0	0	0	175	20	0	195	42	0	42	0	84	20	159	0	0	179	458
Total Volume	0	0	0	0	0	0	672	55	0	727	208	0	223	0	431	86	729	0	0	815	1973
% App. Total	0	0	0	0	0	0	92.4	7.6	0		48.3	0	51.7	0		10.6	89.4	0	0		
PHF	.000	.000	.000	.000	.000	.000	.923	.688	.000	.932	.634	.000	.820	.000	.718	.860	.907	.000	.000	.914	.908

