



# MINNESOTA DEPT OF TRANSPORTATION

## TRAFFIC DATA COLLECTION - METRO

I-35W at W 76th St., East ramps

File Name : I-35W at W 76th St EAST RAMP 2010

Ref.Pt.: 008.991

Site Code : 00351076

JAMAR # 631 RE

Start Date : 9/21/2010

TURN MOVEMENT COUNT

Page No : 1

### Groups Printed- Cars & Trucks

Start Time	ramp to I-35W NB Southbound				W 76th St. Westbound				Girard Ave S. Northbound				W 76th St. Eastbound				Int. Total
	Left	Thru	Right	Peds	Left	Thru	Right	Peds	Left	Thru	Right	Peds	Left	Thru	Right	Peds	
06:00	0	0	0	0	0	25	14	0	0	1	1	0	12	27	7	0	87
06:15	0	0	0	0	2	36	15	0	1	0	0	0	17	23	8	0	102
06:30	0	0	0	0	0	53	23	0	0	0	1	0	30	36	2	0	145
06:45	0	0	0	0	2	88	31	0	1	0	1	0	24	53	6	0	206
Total	0	0	0	0	4	202	83	0	2	1	3	0	83	139	23	0	540
07:00	0	0	0	0	2	117	34	0	0	0	0	0	27	59	5	1	245
07:15	0	0	0	0	3	207	21	1	1	1	1	0	21	69	4	1	330
07:30	0	0	0	0	6	311	29	1	1	0	2	0	39	84	10	0	483
07:45	0	0	0	0	9	442	30	3	0	0	2	3	44	136	8	0	677
Total	0	0	0	0	20	1077	114	5	2	1	5	3	131	348	27	2	1735
08:00	0	0	0	0	11	337	33	0	0	1	0	0	41	102	13	1	539
08:15	0	0	0	1	4	339	26	0	0	2	1	0	21	73	9	0	476
08:30	0	0	0	1	13	279	24	0	0	1	0	1	28	61	14	1	423
08:45	0	0	0	1	9	266	25	1	0	3	2	0	25	54	13	1	400
Total	0	0	0	3	37	1221	108	1	0	7	3	1	115	290	49	3	1838
*** BREAK ***																	
11:00	0	0	0	0	1	83	19	1	8	3	4	0	36	120	5	2	282
11:15	0	0	0	0	5	67	18	1	5	2	1	0	59	130	8	0	296
11:30	0	0	0	1	2	86	19	3	12	6	3	0	50	127	9	2	320
11:45	0	0	0	0	3	98	20	2	13	2	6	0	39	179	5	1	368
Total	0	0	0	1	11	334	76	7	38	13	14	0	184	556	27	5	1266
12:00	0	0	0	1	3	89	28	2	11	1	6	0	40	144	4	3	332
12:15	0	0	0	0	6	88	28	1	14	7	8	1	48	113	9	1	324
12:30	0	0	0	0	3	123	26	1	11	15	7	0	36	108	12	3	345
12:45	0	0	0	0	10	100	19	2	8	4	5	0	25	116	12	2	303
Total	0	0	0	1	22	400	101	6	44	27	26	1	149	481	37	9	1304
*** BREAK ***																	
15:00	0	0	0	0	3	106	27	3	7	2	8	0	61	159	3	0	379
15:15	0	0	0	1	4	86	32	2	2	4	4	0	77	169	11	0	392
15:30	0	0	0	0	4	120	39	2	9	8	7	0	83	184	9	1	466
15:45	0	0	0	0	2	158	41	0	7	2	4	0	59	219	5	3	500
Total	0	0	0	1	13	470	139	7	25	16	23	0	280	731	28	4	1737
16:00	0	0	0	0	4	150	49	1	7	3	7	0	112	284	6	0	623
16:15	0	0	0	0	8	188	43	1	7	5	8	0	86	279	1	1	627
16:30	0	0	0	1	5	175	41	1	3	2	6	0	113	392	7	2	748
16:45	0	0	0	0	8	171	57	2	5	3	5	1	110	397	5	4	768
Total	0	0	0	1	25	684	190	5	22	13	26	1	421	1352	19	7	2766
17:00	0	0	0	1	2	188	47	3	6	5	6	0	113	370	8	0	749
17:15	0	0	0	1	3	249	45	0	1	4	2	0	129	461	5	0	900
17:30	0	0	0	1	7	202	37	3	3	2	1	0	109	375	10	2	752
17:45	0	0	0	0	8	214	36	2	6	5	3	2	74	364	4	2	720
Total	0	0	0	3	20	853	165	8	16	16	12	2	425	1570	27	4	3121
Grand Total	0	0	0	10	152	5241	976	39	149	94	112	8	1788	5467	237	34	14307
Apprch %	0	0	0	100	2.4	81.8	15.2	0.6	41	25.9	30.9	2.2	23.8	72.6	3.1	0.5	
Total %	0	0	0	0.1	1.1	36.6	6.8	0.3	1	0.7	0.8	0.1	12.5	38.2	1.7	0.2	



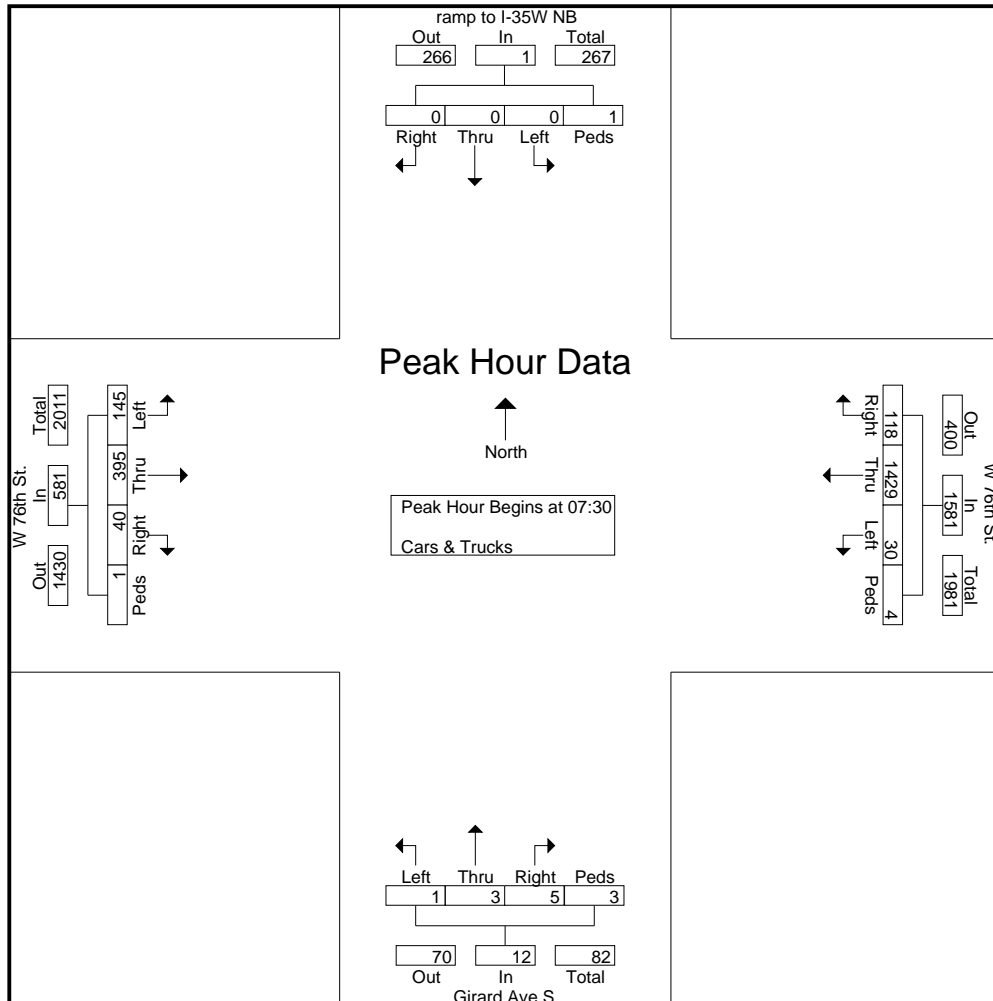
# MINNESOTA DEPT OF TRANSPORTATION

## TRAFFIC DATA COLLECTION - METRO

I-35W at W 76th St., East ramps  
 Ref.Pt.: 008.991  
 JAMAR # 631 RE  
 TURN MOVEMENT COUNT

File Name : I-35W at W 76th St EAST RAMP 2010  
 Site Code : 00351076  
 Start Date : 9/21/2010  
 Page No : 2

Start Time	ramp to I-35W NB Southbound					W 76th St. Westbound					Girard Ave S. Northbound					W 76th St. Eastbound					Int. Total
	Left	Thru	Right	Peds	App. Total	Left	Thru	Right	Peds	App. Total	Left	Thru	Right	Peds	App. Total	Left	Thru	Right	Peds	App. Total	
Peak Hour Analysis From 06:00 to 08:45 - Peak 1 of 1																					
Peak Hour for Entire Intersection Begins at 07:30																					
07:30	0	0	0	0	0	6	311	29	1	347	1	0	2	0	3	39	84	10	0	133	483
07:45	0	0	0	0	0	9	<b>442</b>	30	<b>3</b>	<b>484</b>	0	0	2	<b>3</b>	<b>5</b>	<b>44</b>	<b>136</b>	8	0	<b>188</b>	<b>677</b>
08:00	0	0	0	0	0	11	337	<b>33</b>	0	381	0	1	0	0	1	41	102	<b>13</b>	<b>1</b>	157	539
08:15	0	0	0	<b>1</b>	<b>1</b>	4	339	26	0	369	0	<b>2</b>	1	0	3	21	73	9	0	103	476
Total Volume	0	0	0	1	1	30	1429	118	4	1581	1	3	5	3	12	145	395	40	1	581	2175
% App. Total	0	0	0	100		1.9	90.4	7.5	0.3		8.3	25	41.7	25		25	68	6.9	0.2		
PHF	.000	.000	.000	.250	.250	.682	.808	.894	.333	.817	.250	.375	.625	.250	.600	.824	.726	.769	.250	.773	.803





# MINNESOTA DEPT OF TRANSPORTATION

## TRAFFIC DATA COLLECTION - METRO

I-35W at W 76th St., East ramps

File Name : I-35W at W 76th St EAST RAMP 2010

Ref.Pt.: 008.991

Site Code : 00351076

JAMAR # 631 RE

Start Date : 9/21/2010

TURN MOVEMENT COUNT

Page No : 3

Start Time	ramp to I-35W NB Southbound					W 76th St. Westbound					Girard Ave S. Northbound					W 76th St. Eastbound					Int. Total
	Left	Thru	Right	Peds	App. Total	Left	Thru	Right	Peds	App. Total	Left	Thru	Right	Peds	App. Total	Left	Thru	Right	Peds	App. Total	
16:45	0	0	0	0	0	8	171	57	2	238	5	3	5	1	14	110	397	5	4	516	768
17:00	0	0	0	1	1	2	188	47	3	240	6	5	6	0	17	113	370	8	0	491	749
17:15	0	0	0	1	1	3	249	45	0	297	1	4	2	0	7	129	461	5	0	595	900
17:30	0	0	0	1	1	7	202	37	3	249	3	2	1	0	6	109	375	10	2	496	752
Total Volume	0	0	0	3	3	20	810	186	8	1024	15	14	14	1	44	461	1603	28	6	2098	3169
% App. Total	0	0	0	100		2	79.1	18.2	0.8		34.1	31.8	31.8	2.3		22	76.4	1.3	0.3		
PHF	.000	.000	.000	.750	.750	.625	.813	.816	.667	.862	.625	.700	.583	.250	.647	.893	.869	.700	.375	.882	.880

Peak Hour Analysis From 15:00 to 17:45 - Peak 1 of 1  
Peak Hour for Entire Intersection Begins at 16:45

