

**Alliant Engineering, Inc**

233 Park Ave Suite 300

Minneapolis, MN 55415

--TRAFFIC DATA --

CSAH-50 at I-35 West Ramp

Ref.Pt.: 85.507

data by : Alliant Inc.

TURN MOVEMENT COUNT

File Name : 351\_CSAH 50 & I-35 W Ramp

Site Code : 351

Start Date : 10/25/2017

Page No : 1

Groups Printed- Vehicles - Trucks

Start Time	CSAH 50 From North				I-35 W Ramp From East				CSAH 50 From South				I-35 W Ramp From West				Int. Total
	Other	Left	Thru	Rght	Other	Left	Thru	Rght	Other	Left	Thru	Rght	Other	Left	Thru	Rght	
06:00 AM	0	0	21	11	0	21	0	5	1	4	40	0	0	0	0	0	103
06:15 AM	0	0	31	21	0	29	1	6	0	5	55	0	0	0	0	0	148
06:30 AM	0	0	31	28	0	23	2	3	0	7	69	0	0	0	0	0	163
06:45 AM	0	0	40	26	0	43	2	18	0	4	97	0	0	0	0	0	230
Total	0	0	123	86	0	116	5	32	1	20	261	0	0	0	0	0	644
07:00 AM	0	0	47	27	0	48	0	10	0	11	84	0	0	0	0	0	227
07:15 AM	0	0	38	33	0	61	1	12	1	14	126	0	0	0	0	0	286
07:30 AM	0	0	69	48	0	61	1	15	0	13	130	0	0	0	0	0	337
07:45 AM	0	0	70	47	0	64	0	13	1	23	126	0	0	0	0	0	344
Total	0	0	224	155	0	234	2	50	2	61	466	0	0	0	0	0	1194
08:00 AM	0	0	45	28	0	61	0	8	0	18	113	0	0	0	0	0	273
08:15 AM	0	0	40	25	0	59	0	13	0	17	76	0	0	0	0	0	230
08:30 AM	0	0	54	23	0	57	1	10	0	21	60	0	0	0	0	0	226
08:45 AM	0	0	48	27	0	56	2	20	0	15	80	0	0	0	0	0	248
Total	0	0	187	103	0	233	3	51	0	71	329	0	0	0	0	0	977
09:00 AM	0	0	57	31	0	70	0	20	0	14	83	0	0	0	0	0	275
09:15 AM	0	0	75	43	0	56	0	14	1	17	72	0	0	0	0	0	278
09:30 AM	0	0	57	22	0	84	0	11	0	23	62	0	0	0	0	0	259
09:45 AM	0	0	55	29	0	61	0	13	0	28	74	0	0	0	0	0	260
Total	0	0	244	125	0	271	0	58	1	82	291	0	0	0	0	0	1072
10:00 AM	0	0	53	14	0	53	0	10	0	27	58	0	0	0	0	0	215
10:15 AM	0	0	55	16	0	50	0	23	0	22	48	0	0	0	0	0	214
10:30 AM	0	0	37	24	0	51	2	13	0	24	52	0	0	0	0	0	203
10:45 AM	0	0	51	26	0	73	1	19	0	21	57	0	0	0	0	0	248
Total	0	0	196	80	0	227	3	65	0	94	215	0	0	0	0	0	880
11:00 AM	0	0	62	29	0	72	4	15	0	31	70	0	0	0	0	0	283
11:15 AM	0	0	67	30	0	113	1	37	1	26	65	0	0	0	0	0	340
11:30 AM	0	0	60	31	0	96	1	16	1	41	69	0	0	0	0	0	315
11:45 AM	0	0	62	28	0	104	1	15	1	34	74	0	0	0	0	0	319
Total	0	0	251	118	0	385	7	83	3	132	278	0	0	0	0	0	1257
12:00 PM	0	0	78	31	0	115	0	21	1	50	57	0	0	0	0	0	353
12:15 PM	0	0	70	30	0	103	1	12	4	30	74	0	0	0	0	0	324
12:30 PM	1	0	73	26	0	118	0	25	0	43	87	0	0	0	0	0	373
12:45 PM	0	0	67	26	0	119	0	19	0	36	88	0	0	0	0	0	355
Total	1	0	288	113	0	455	1	77	5	159	306	0	0	0	0	0	1405
01:00 PM	0	0	79	25	0	134	1	19	2	38	77	0	0	0	0	0	375
01:15 PM	1	0	69	29	0	99	0	13	4	23	69	0	0	0	0	0	307
01:30 PM	0	0	70	26	0	117	0	19	0	31	58	0	0	0	0	0	321
01:45 PM	0	0	64	37	0	121	1	15	0	29	67	0	0	0	0	0	334
Total	1	0	282	117	0	471	2	66	6	121	271	0	0	0	0	0	1337
02:00 PM	0	0	75	54	0	134	2	24	0	32	76	0	0	0	0	0	397
02:15 PM	0	0	67	41	0	142	5	33	0	38	66	0	0	0	0	0	392
02:30 PM	0	0	56	39	0	145	0	25	0	38	82	0	0	0	0	0	385
02:45 PM	0	0	71	44	0	155	0	21	0	42	102	0	0	0	0	0	435
Total	0	0	269	178	0	576	7	103	0	150	326	0	0	0	0	0	1609
03:00 PM	0	0	81	54	0	168	2	22	1	47	89	0	0	0	0	0	464
03:15 PM	0	0	78	58	0	213	0	31	2	38	71	0	0	0	0	0	491
03:30 PM	0	0	119	59	0	198	0	24	2	44	73	0	0	0	0	0	519
03:45 PM	0	0	103	59	0	224	0	29	0	63	111	0	0	0	0	0	589
Total	0	0	381	230	0	803	2	106	5	192	344	0	0	0	0	0	2063

**Alliant Engineering, Inc**

233 Park Ave Suite 300

Minneapolis, MN 55415

--TRAFFIC DATA --

CSAH-50 at I-35 West Ramp

Ref.Pt.: 85.507

data by : Alliant Inc.

TURN MOVEMENT COUNT

File Name : 351\_CSAH 50 & I-35 W Ramp

Site Code : 351

Start Date : 10/25/2017

Page No : 2

Groups Printed- Vehicles - Trucks

Start Time	CSAH 50 From North				I-35 W Ramp From East				CSAH 50 From South				I-35 W Ramp From West				Int. Total
	Other	Left	Thru	Rght	Other	Left	Thru	Rght	Other	Left	Thru	Rght	Other	Left	Thru	Rght	
04:00 PM	0	0	119	74	0	245	0	30	1	77	98	0	0	0	0	0	644
04:15 PM	0	0	116	80	0	221	0	34	3	72	108	0	0	0	0	0	634
04:30 PM	0	0	120	69	0	262	0	18	0	54	117	0	0	0	0	0	640
04:45 PM	0	0	112	74	0	210	0	31	0	84	109	0	0	0	0	0	620
Total	0	0	467	297	0	938	0	113	4	287	432	0	0	0	0	0	2538
05:00 PM	0	0	117	71	0	208	1	30	0	82	121	0	0	0	0	0	630
05:15 PM	0	0	123	93	0	226	0	26	0	67	118	0	0	0	0	0	653
05:30 PM	0	0	90	68	0	232	0	19	0	74	108	0	0	0	0	0	591
05:45 PM	0	0	104	58	0	245	0	19	0	54	92	0	0	0	0	0	572
Total	0	0	434	290	0	911	1	94	0	277	439	0	0	0	0	0	2446
06:00 PM	0	0	90	49	0	230	2	23	0	59	94	0	0	0	0	0	547
06:15 PM	0	0	72	51	0	168	1	24	0	46	77	0	0	0	0	0	439
06:30 PM	0	0	73	46	0	128	1	19	0	42	94	0	0	0	0	0	403
06:45 PM	0	0	68	39	0	109	1	13	1	33	63	0	0	0	0	0	327
Total	0	0	303	185	0	635	5	79	1	180	328	0	0	0	0	0	1716
07:00 PM	0	0	57	27	0	111	0	10	1	45	79	0	0	0	0	0	330
07:15 PM	0	0	45	18	0	103	0	23	0	43	52	0	0	0	0	0	284
07:30 PM	0	0	52	19	0	83	0	21	0	46	37	0	0	0	0	0	258
07:45 PM	0	0	61	29	0	94	0	27	0	57	42	0	0	0	0	0	310
Total	0	0	215	93	0	391	0	81	1	191	210	0	0	0	0	0	1182
08:00 PM	0	0	40	21	0	82	1	9	0	25	44	0	0	0	0	0	222
08:15 PM	0	0	27	24	0	91	0	9	1	30	47	0	0	0	0	0	229
08:30 PM	0	0	28	19	0	98	0	12	0	19	35	0	0	0	0	0	211
08:45 PM	0	0	40	21	0	72	0	11	0	20	40	0	0	0	0	0	204
Total	0	0	135	85	0	343	1	41	1	94	166	0	0	0	0	0	866
09:00 PM	0	0	40	29	0	63	0	7	1	15	25	0	0	0	0	0	180
09:15 PM	0	0	38	12	0	62	1	6	0	26	28	0	0	0	0	0	173
09:30 PM	0	0	31	13	0	72	0	5	0	15	14	0	0	0	0	0	150
09:45 PM	0	0	13	8	0	52	1	6	0	14	18	0	0	0	0	0	112
Total	0	0	122	62	0	249	2	24	1	70	85	0	0	0	0	0	615
Grand Total	2	0	4121	2317	0	7238	41	1123	31	2181	4747	0	0	0	0	0	21801
Apprch %	0	0	64	36	0	86.1	0.5	13.4	0.4	31.3	68.2	0	0	0	0	0	
Total %	0	0	18.9	10.6	0	33.2	0.2	5.2	0.1	10	21.8	0	0	0	0	0	
Vehicles	0	0	4018	2213	0	7109	36	1099	30	2157	4613	0	0	0	0	0	21275
% Vehicles	0	0	97.5	95.5	0	98.2	87.8	97.9	96.8	98.9	97.2	0	0	0	0	0	97.6
Trucks	2	0	103	104	0	129	5	24	1	24	134	0	0	0	0	0	526
% Trucks	100	0	2.5	4.5	0	1.8	12.2	2.1	3.2	1.1	2.8	0	0	0	0	0	2.4

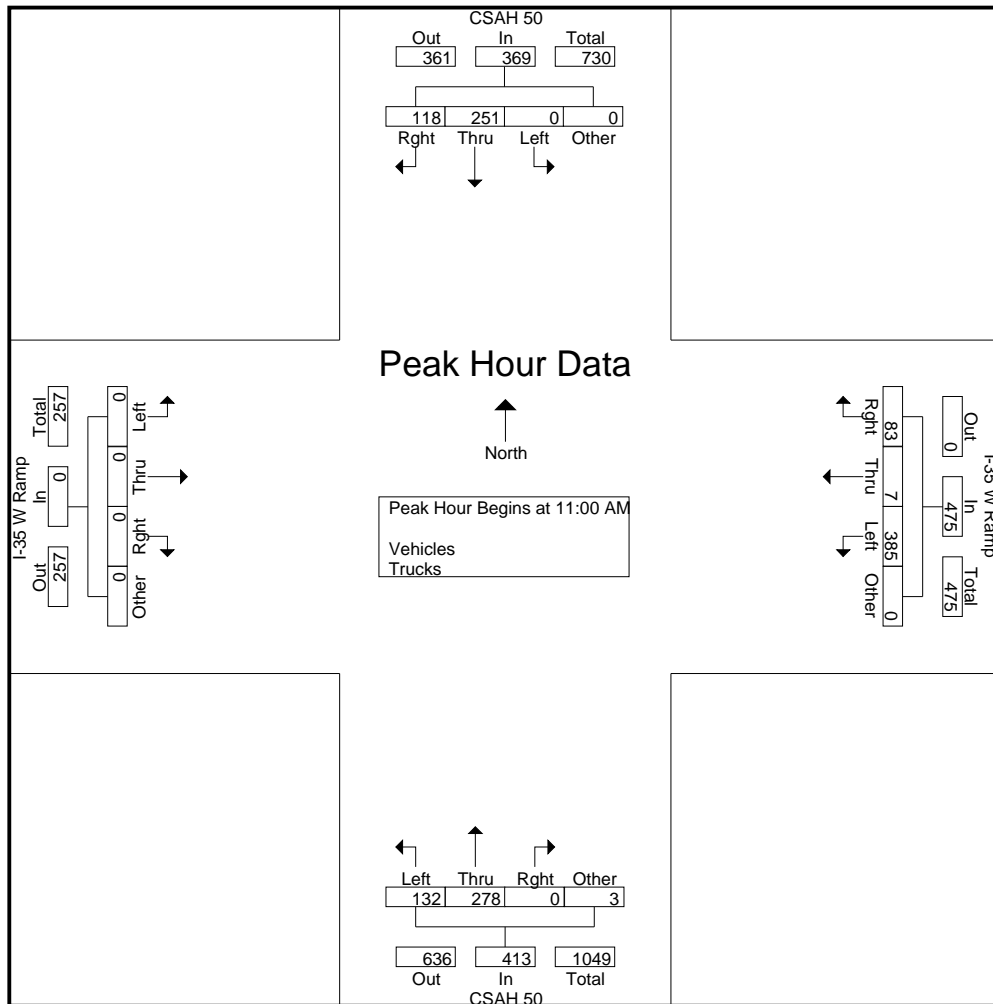
**Alliant Engineering, Inc**

233 Park Ave Suite 300  
 Minneapolis, MN 55415  
 --TRAFFIC DATA --

CSAH-50 at I-35 West Ramp  
 Ref.Pt.: 85.507  
 data by : Alliant Inc.  
 TURN MOVEMENT COUNT

File Name : 351\_CSAH 50 & I-35 W Ramp  
 Site Code : 351  
 Start Date : 10/25/2017  
 Page No : 3

Start Time	CSAH 50 From North					I-35 W Ramp From East					CSAH 50 From South					I-35 W Ramp From West					Int. Total
	Other	Left	Thru	Rght	App. Total	Other	Left	Thru	Rght	App. Total	Other	Left	Thru	Rght	App. Total	Other	Left	Thru	Rght	App. Total	
Peak Hour Analysis From 06:00 AM to 11:45 AM - Peak 1 of 1																					
Peak Hour for Entire Intersection Begins at 11:00 AM																					
11:00 AM	0	0	62	29	91	0	72	4	15	91	0	31	70	0	101	0	0	0	0	0	283
11:15 AM	0	0	67	30	97	0	113	1	37	151	1	26	65	0	92	0	0	0	0	0	340
11:30 AM	0	0	60	31	91	0	96	1	16	113	1	41	69	0	111	0	0	0	0	0	315
11:45 AM	0	0	62	28	90	0	104	1	15	120	1	34	74	0	109	0	0	0	0	0	319
Total Volume	0	0	251	118	369	0	385	7	83	475	3	132	278	0	413	0	0	0	0	0	1257
% App. Total	0	0	68	32		0	81.1	1.5	17.5		0.7	32	67.3	0		0	0	0	0		
PHF	.000	.000	.937	.952	.951	.000	.852	.438	.561	.786	.750	.805	.939	.000	.930	.000	.000	.000	.000	.000	.924



**Alliant Engineering, Inc**

233 Park Ave Suite 300  
 Minneapolis, MN 55415  
 --TRAFFIC DATA --

CSAH-50 at I-35 West Ramp  
 Ref.Pt.: 85.507  
 data by : Alliant Inc.  
 TURN MOVEMENT COUNT

File Name : 351\_CSAH 50 & I-35 W Ramp  
 Site Code : 351  
 Start Date : 10/25/2017  
 Page No : 4

Start Time	CSAH 50 From North					I-35 W Ramp From East					CSAH 50 From South					I-35 W Ramp From West					Int. Total
	Other	Left	Thru	Rght	App. Total	Other	Left	Thru	Rght	App. Total	Other	Left	Thru	Rght	App. Total	Other	Left	Thru	Rght	App. Total	
Peak Hour Analysis From 12:00 PM to 09:45 PM - Peak 1 of 1																					
Peak Hour for Entire Intersection Begins at 04:30 PM																					
04:30 PM	0	0	120	69	189	0	262	0	18	280	0	54	117	0	171	0	0	0	0	0	640
04:45 PM	0	0	112	74	186	0	210	0	31	241	0	84	109	0	193	0	0	0	0	0	620
05:00 PM	0	0	117	71	188	0	208	1	30	239	0	82	121	0	203	0	0	0	0	0	630
05:15 PM	0	0	123	93	216	0	226	0	26	252	0	67	118	0	185	0	0	0	0	0	653
Total Volume	0	0	472	307	779	0	906	1	105	1012	0	287	465	0	752	0	0	0	0	0	2543
% App. Total	0	0	60.6	39.4		0	89.5	0.1	10.4		0	38.2	61.8	0		0	0	0	0	0	
PHF	.000	.000	.959	.825	.902	.000	.865	.250	.847	.904	.000	.854	.961	.000	.926	.000	.000	.000	.000	.000	.974

