

ALLIANT ENGINEERING, INC.

733 S Marquette Ave #700, Minneapolis, MN 55402

US 61 East Ramp & 80th St
 City: Cottage Grove
 data by: Alliant Engineering, Inc.
 TURN MOVEMENT COUNT

File Name : US 61 East Ramp & 80th St_2021
 Site Code : 1735478
 Start Date : 10/19/2021
 Page No : 1

Groups Printed- Cars - Trucks

Start Time	US 61 East On Ramp Southbound					80th St Westbound					US 61 East Off Ramp Northbound					80th St Eastbound					Int. Total
	Left	Thru	Right	Peds	App. Total	Left	Thru	Right	Peds	App. Total	Left	Thru	Right	Peds	App. Total	Left	Thru	Right	Peds	App. Total	
06:00 AM	0	0	0	0	0	0	27	87	0	114	10	0	14	0	24	86	45	0	0	131	269
06:15 AM	0	0	0	0	0	0	42	109	0	151	11	0	11	0	22	126	55	0	0	181	354
06:30 AM	0	0	0	0	0	0	35	104	0	139	6	1	15	0	22	124	64	0	0	188	349
06:45 AM	0	0	0	0	0	0	54	110	0	164	10	0	25	0	35	81	84	0	0	165	364
Total	0	0	0	0	0	0	158	410	0	568	37	1	65	0	103	417	248	0	0	665	1336
07:00 AM	0	0	0	0	0	0	49	123	0	172	14	0	32	0	46	93	79	0	0	172	390
07:15 AM	0	0	0	0	0	0	57	130	0	187	9	0	27	0	36	132	130	0	0	262	485
07:30 AM	0	0	0	0	0	0	54	140	0	194	9	0	35	0	44	126	136	0	0	262	500
07:45 AM	0	0	0	0	0	0	77	140	0	217	13	0	23	2	38	81	146	0	0	227	482
Total	0	0	0	0	0	0	237	533	0	770	45	0	117	2	164	432	491	0	0	923	1857
08:00 AM	0	0	0	0	0	0	82	107	0	189	16	0	43	2	61	76	193	0	0	269	519
08:15 AM	0	0	0	0	0	0	104	118	0	222	18	0	20	0	38	69	152	0	0	221	481
08:30 AM	0	0	0	0	0	1	80	91	0	172	14	0	18	1	33	83	123	0	0	206	411
08:45 AM	0	0	0	0	0	0	64	80	0	144	15	0	28	1	44	55	115	0	0	170	358
Total	0	0	0	0	0	1	330	396	0	727	63	0	109	4	176	283	583	0	0	866	1769
09:00 AM	0	0	0	0	0	0	71	88	0	159	10	0	24	0	34	50	93	0	0	143	336
09:15 AM	0	0	0	0	0	0	79	58	0	137	13	0	42	0	55	43	96	0	0	139	331
*** BREAK ***																					
Total	0	0	0	0	0	0	150	146	0	296	23	0	66	0	89	93	189	0	0	282	667
*** BREAK ***																					
10:30 AM	0	0	0	0	0	0	68	78	0	146	16	0	34	1	51	42	106	0	0	148	345
10:45 AM	0	0	0	0	0	0	76	51	0	127	18	0	34	4	56	44	118	0	0	162	345
Total	0	0	0	0	0	0	144	129	0	273	34	0	68	5	107	86	224	0	0	310	690
11:00 AM	0	0	0	0	0	0	80	62	0	142	14	0	28	0	42	52	130	0	0	182	366
11:15 AM	0	0	0	1	1	0	94	85	0	179	26	1	34	0	61	43	140	0	0	183	424
11:30 AM	0	0	0	0	0	0	108	69	0	177	22	0	54	1	77	48	133	0	0	181	435
11:45 AM	0	0	0	0	0	0	119	65	0	184	18	0	46	0	64	41	163	0	0	204	452
Total	0	0	0	1	1	0	401	281	0	682	80	1	162	1	244	184	566	0	0	750	1677
12:00 PM	0	0	0	0	0	0	101	58	0	159	29	0	49	6	84	39	174	0	0	213	456
12:15 PM	0	0	0	0	0	0	114	77	0	191	28	0	43	0	71	45	161	0	0	206	468
12:30 PM	0	0	0	0	0	0	106	87	0	193	23	0	23	1	47	44	138	0	0	182	422
12:45 PM	0	0	0	0	0	0	119	76	0	195	18	1	41	0	60	33	151	0	0	184	439
Total	0	0	0	0	0	0	440	298	0	738	98	1	156	7	262	161	624	0	0	785	1785
*** BREAK ***																					
02:30 PM	0	0	0	0	0	0	132	74	0	206	29	0	30	3	62	44	187	0	0	231	499
02:45 PM	0	0	0	0	0	0	117	66	0	183	26	0	35	3	64	68	208	0	0	276	523
Total	0	0	0	0	0	0	249	140	0	389	55	0	65	6	126	112	395	0	0	507	1022
03:00 PM	0	0	0	0	0	0	95	88	0	183	36	0	37	2	75	69	199	0	0	268	526
03:15 PM	0	0	0	0	0	0	210	95	0	305	39	0	48	4	91	49	232	0	0	281	677
03:30 PM	0	0	0	0	0	0	164	96	0	260	42	0	52	5	99	76	234	0	0	310	669
03:45 PM	0	0	0	0	0	0	154	115	0	269	28	0	53	3	84	66	251	0	0	317	670
Total	0	0	0	0	0	0	623	394	0	1017	145	0	190	14	349	260	916	0	0	1176	2542
04:00 PM	0	0	0	0	0	0	150	91	0	241	36	0	23	5	64	83	265	0	0	348	653
04:15 PM	0	0	0	0	0	0	134	98	0	232	29	0	46	7	82	68	274	0	0	342	656
04:30 PM	0	0	0	0	0	0	161	107	0	268	42	0	49	2	93	58	263	0	0	321	682

ALLIANT ENGINEERING, INC.

733 S Marquette Ave #700, Minneapolis, MN 55402

US 61 East Ramp & 80th St
 City: Cottage Grove
 data by: Alliant Engineering, Inc.
 TURN MOVEMENT COUNT

File Name : US 61 East Ramp & 80th St_2021
 Site Code : 1735478
 Start Date : 10/19/2021
 Page No : 2

Groups Printed- Cars - Trucks

Start Time	US 61 East On Ramp Southbound					80th St Westbound					US 61 East Off Ramp Northbound					80th St Eastbound					Int. Total
	Left	Thru	Right	Peds	App. Total	Left	Thru	Right	Peds	App. Total	Left	Thru	Right	Peds	App. Total	Left	Thru	Right	Peds	App. Total	
04:45 PM	0	0	0	0	0	0	145	67	0	212	47	0	49	5	101	65	270	0	0	335	648
Total	0	0	0	0	0	0	590	363	0	953	154	0	167	19	340	274	1072	0	0	1346	2639
05:00 PM	0	0	0	0	0	0	163	102	0	265	45	0	44	1	90	64	301	0	0	365	720
05:15 PM	0	0	0	0	0	0	163	117	0	280	30	1	43	2	76	63	309	0	0	372	728
05:30 PM	0	0	0	0	0	0	137	93	0	230	41	0	55	3	99	64	242	0	0	306	635
05:45 PM	0	0	0	0	0	0	162	100	0	262	31	0	48	1	80	57	273	0	0	330	672
Total	0	0	0	0	0	0	625	412	0	1037	147	1	190	7	345	248	1125	0	0	1373	2755
06:00 PM	0	0	0	0	0	0	162	95	0	257	22	0	50	5	77	47	195	0	0	242	576
06:15 PM	0	0	0	0	0	0	164	110	0	274	37	1	35	0	73	55	251	0	0	306	653
Grand Total	0	0	0	1	1	1	4273	3707	0	7981	940	5	1440	70	2455	2652	6879	0	0	9531	19968
Apprch %	0	0	0	100		0	53.5	46.4	0		38.3	0.2	58.7	2.9		27.8	72.2	0	0		
Total %	0	0	0	0	0	0	21.4	18.6	0	40	4.7	0	7.2	0.4	12.3	13.3	34.5	0	0	47.7	
Cars	0	0	0	0	0	1	4149	3588	0	7738	897	5	1392	35	2329	2554	6678	0	0	9232	19299
% Cars	0	0	0	0	0	100	97.1	96.8	0	97	95.4	100	96.7	50	94.9	96.3	97.1	0	0	96.9	96.6
Trucks	0	0	0	1	1	0	124	119	0	243	43	0	48	35	126	98	201	0	0	299	669
% Trucks	0	0	0	100	100	0	2.9	3.2	0	3	4.6	0	3.3	50	5.1	3.7	2.9	0	0	3.1	3.4

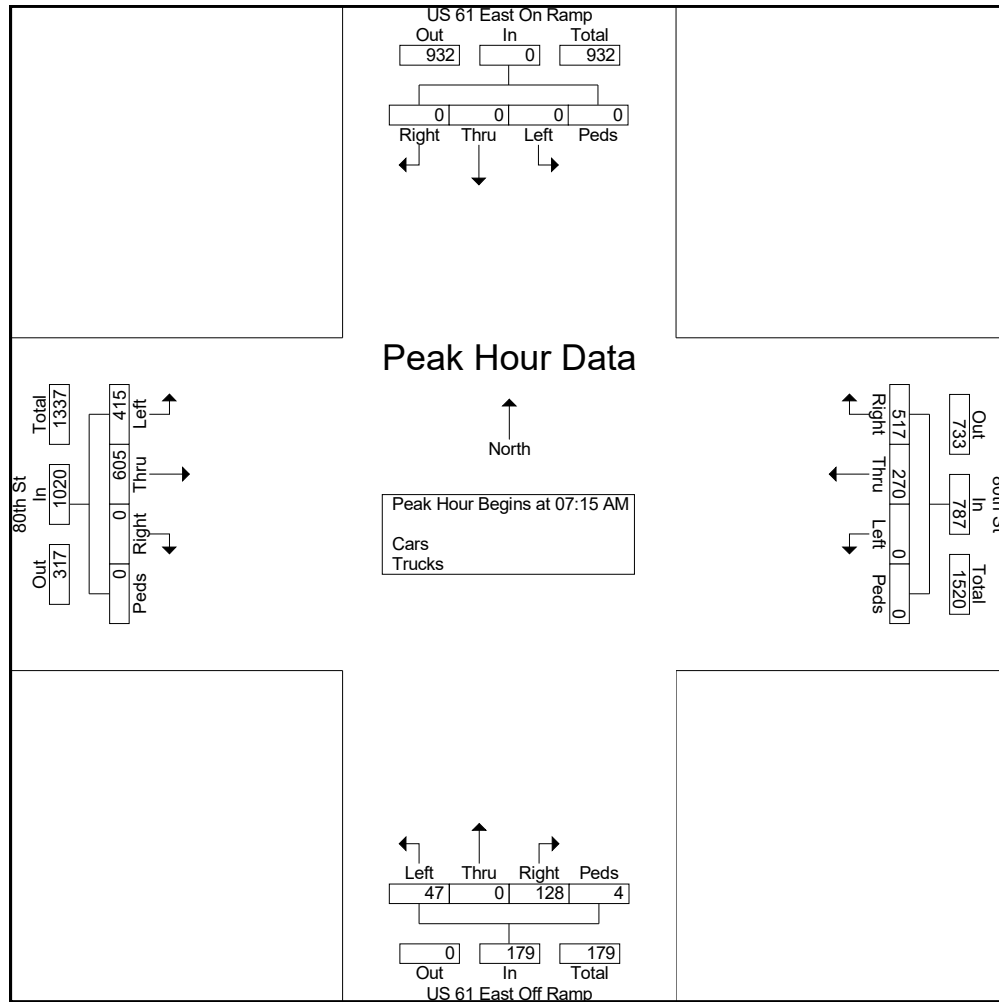
ALLIANT ENGINEERING, INC.

733 S Marquette Ave #700, Minneapolis, MN 55402

US 61 East Ramp & 80th St
 City: Cottage Grove
 data by: Alliant Engineering, Inc.
 TURN MOVEMENT COUNT

File Name : US 61 East Ramp & 80th St_2021
 Site Code : 1735478
 Start Date : 10/19/2021
 Page No : 3

Start Time	US 61 East On Ramp Southbound					80th St Westbound					US 61 East Off Ramp Northbound					80th St Eastbound					Int. Total
	Left	Thru	Right	Peds	App. Total	Left	Thru	Right	Peds	App. Total	Left	Thru	Right	Peds	App. Total	Left	Thru	Right	Peds	App. Total	
Peak Hour Analysis From 06:00 AM to 09:45 AM - Peak 1 of 1																					
Peak Hour for Entire Intersection Begins at 07:15 AM																					
07:15 AM	0	0	0	0	0	0	57	130	0	187	9	0	27	0	36	132	130	0	0	262	485
07:30 AM	0	0	0	0	0	0	54	140	0	194	9	0	35	0	44	126	136	0	0	262	500
07:45 AM	0	0	0	0	0	0	77	140	0	217	13	0	23	2	38	81	146	0	0	227	482
08:00 AM	0	0	0	0	0	0	82	107	0	189	16	0	43	2	61	76	193	0	0	269	519
Total Volume	0	0	0	0	0	0	270	517	0	787	47	0	128	4	179	415	605	0	0	1020	1986
% App. Total	0	0	0	0	0	0	34.3	65.7	0		26.3	0	71.5	2.2		40.7	59.3	0	0		
PHF	.000	.000	.000	.000	.000	.000	.823	.923	.000	.907	.734	.000	.744	.500	.734	.786	.784	.000	.000	.948	.957



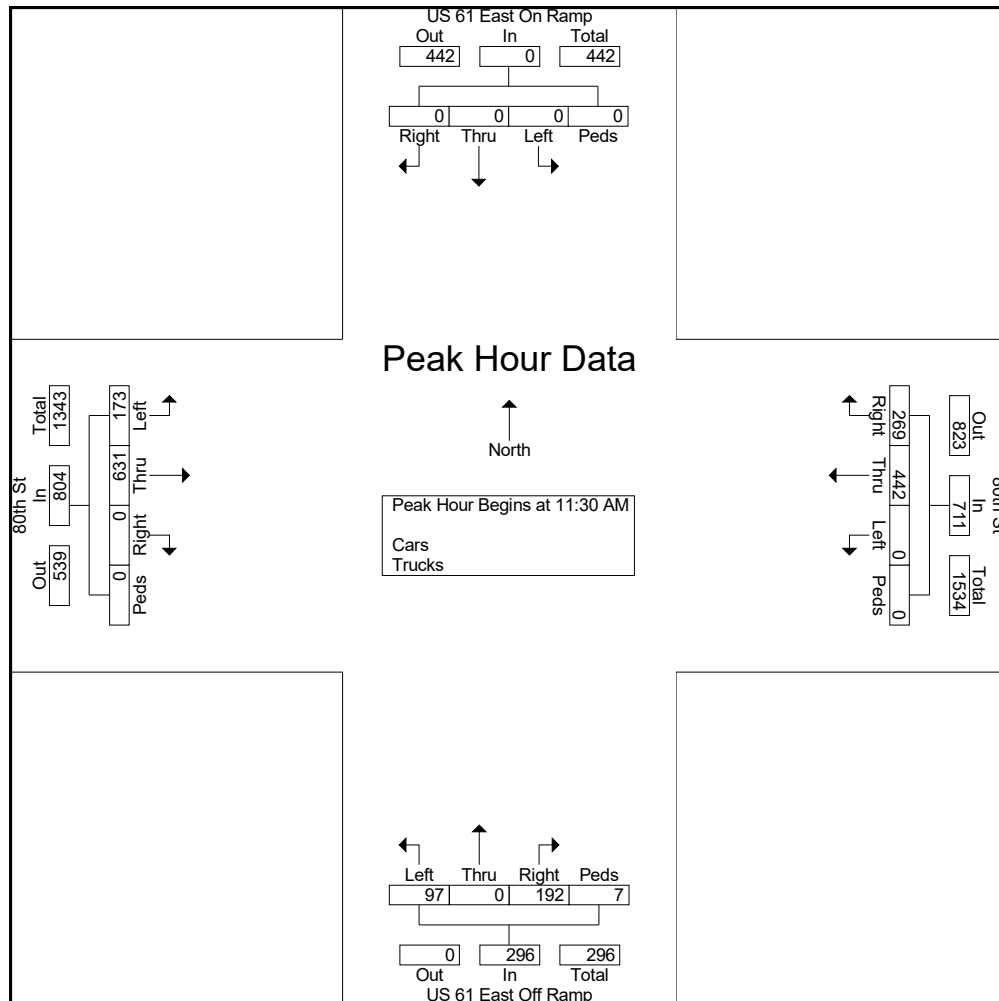
ALLIANT ENGINEERING, INC.

733 S Marquette Ave #700, Minneapolis, MN 55402

US 61 East Ramp & 80th St
 City: Cottage Grove
 data by: Alliant Engineering, Inc.
 TURN MOVEMENT COUNT

File Name : US 61 East Ramp & 80th St_2021
 Site Code : 1735478
 Start Date : 10/19/2021
 Page No : 4

Start Time	US 61 East On Ramp Southbound					80th St Westbound					US 61 East Off Ramp Northbound					80th St Eastbound					Int. Total
	Left	Thru	Right	Peds	App. Total	Left	Thru	Right	Peds	App. Total	Left	Thru	Right	Peds	App. Total	Left	Thru	Right	Peds	App. Total	
Peak Hour Analysis From 10:00 AM to 01:45 PM - Peak 1 of 1																					
Peak Hour for Entire Intersection Begins at 11:30 AM																					
11:30 AM	0	0	0	0	0	0	108	69	0	177	22	0	54	1	77	48	133	0	0	181	435
11:45 AM	0	0	0	0	0	0	119	65	0	184	18	0	46	0	64	41	163	0	0	204	452
12:00 PM	0	0	0	0	0	0	101	58	0	159	29	0	49	6	84	39	174	0	0	213	456
12:15 PM	0	0	0	0	0	0	114	77	0	191	28	0	43	0	71	45	161	0	0	206	468
Total Volume	0	0	0	0	0	0	442	269	0	711	97	0	192	7	296	173	631	0	0	804	1811
% App. Total	0	0	0	0	0	0	62.2	37.8	0		32.8	0	64.9	2.4		21.5	78.5	0	0		
PHF	.000	.000	.000	.000	.000	.000	.929	.873	.000	.931	.836	.000	.889	.292	.881	.901	.907	.000	.000	.944	.967



ALLIANT ENGINEERING, INC.

733 S Marquette Ave #700, Minneapolis, MN 55402

US 61 East Ramp & 80th St
 City: Cottage Grove
 data by: Alliant Engineering, Inc.
 TURN MOVEMENT COUNT

File Name : US 61 East Ramp & 80th St_2021
 Site Code : 1735478
 Start Date : 10/19/2021
 Page No : 5

Start Time	US 61 East On Ramp Southbound					80th St Westbound					US 61 East Off Ramp Northbound					80th St Eastbound					Int. Total
	Left	Thru	Right	Peds	App. Total	Left	Thru	Right	Peds	App. Total	Left	Thru	Right	Peds	App. Total	Left	Thru	Right	Peds	App. Total	
Peak Hour Analysis From 02:00 PM to 06:15 PM - Peak 1 of 1																					
Peak Hour for Entire Intersection Begins at 04:30 PM																					
04:30 PM	0	0	0	0	0	0	161	107	0	268	42	0	49	2	93	58	263	0	0	321	682
04:45 PM	0	0	0	0	0	0	145	67	0	212	47	0	49	5	101	65	270	0	0	335	648
05:00 PM	0	0	0	0	0	0	163	102	0	265	45	0	44	1	90	64	301	0	0	365	720
05:15 PM	0	0	0	0	0	0	163	117	0	280	30	1	43	2	76	63	309	0	0	372	728
Total Volume	0	0	0	0	0	0	632	393	0	1025	164	1	185	10	360	250	1143	0	0	1393	2778
% App. Total	0	0	0	0	0	0	61.7	38.3	0		45.6	0.3	51.4	2.8		17.9	82.1	0	0		
PHF	.000	.000	.000	.000	.000	.000	.969	.840	.000	.915	.872	.250	.944	.500	.891	.962	.925	.000	.000	.936	.954

