

Associated Consulting Services (ACS)

Saint Paul, MN 55127

-- TRAFFIC DATA --

Location: TH-52 at 200th St E_2019

Ref Pt: 109+00.822

Data Prepared By: ACS

TURNING MOVEMENT COUNT

File Name : TH-52 at 200th St E_2019

Site Code :

Start Date : 3/20/2019

Page No : 1

Groups Printed- Cars - Trucks

Start Time	TH-52 Southbound				200th St E Westbound				TH-52 Northbound				200th St E Eastbound				Int. Total
	Left	Thru	Right	Peds	Left	Thru	Right	Peds	Left	Thru	Right	Peds	Left	Thru	Right	Peds	
06:00	0	123	10	0	0	0	2	0	0	227	2	0	0	0	13	0	377
06:15	0	161	18	0	0	0	5	0	2	335	1	0	0	0	17	0	539
06:30	0	151	21	0	0	0	3	0	3	338	5	0	0	0	24	0	545
06:45	0	147	17	0	0	0	1	0	2	310	2	0	0	0	21	0	500
Total	0	582	66	0	0	0	11	0	7	1210	10	0	0	0	75	0	1961
07:00	0	158	17	0	0	0	3	0	1	305	3	0	0	0	17	0	504
07:15	0	186	14	0	0	0	2	0	5	319	0	0	0	0	21	0	547
07:30	0	188	13	0	0	0	2	0	5	330	7	0	0	0	27	0	572
07:45	2	178	28	0	0	0	4	0	4	295	2	0	0	0	16	0	529
Total	2	710	72	0	0	0	11	0	15	1249	12	0	0	0	81	0	2152
08:00	0	162	7	0	0	0	0	0	1	275	6	0	0	0	21	0	472
08:15	1	187	17	0	0	0	3	0	0	283	1	0	0	0	15	0	507
08:30	0	172	17	0	0	0	1	0	3	258	2	0	0	0	14	0	467
08:45	1	197	18	0	0	0	0	0	4	225	7	0	0	0	16	0	468
Total	2	718	59	0	0	0	4	0	8	1041	16	0	0	0	66	0	1914
09:00	1	229	9	0	0	0	0	0	2	218	3	0	0	0	16	0	478
09:15	2	157	10	0	0	0	2	0	4	212	1	0	0	0	11	0	399
09:30	0	184	8	0	0	0	0	0	0	211	3	0	0	0	16	0	422
09:45	2	154	11	0	0	0	0	0	4	178	1	0	1	0	8	0	359
Total	5	724	38	0	0	0	2	0	10	819	8	0	1	0	51	0	1658
10:00	2	175	13	0	0	0	2	0	3	187	3	0	0	0	10	0	395
10:15	0	196	10	0	0	0	1	0	2	212	5	0	0	0	16	0	442
10:30	0	183	13	0	0	1	2	0	2	168	2	0	0	0	2	0	373
10:45	0	184	12	0	0	0	0	0	2	189	0	0	0	0	8	0	395
Total	2	738	48	0	0	1	5	0	9	756	10	0	0	0	36	0	1605
11:00	1	154	13	0	0	0	2	0	4	191	2	0	0	0	8	0	375
11:15	1	157	12	0	0	0	2	0	3	202	4	0	0	0	12	0	393
11:30	0	179	8	0	0	0	1	0	2	205	2	0	0	0	9	0	406
11:45	0	178	7	0	0	0	2	0	4	185	2	0	0	0	12	0	390
Total	2	668	40	0	0	0	7	0	13	783	10	0	0	0	41	0	1564
12:00	2	144	7	0	0	0	1	0	2	189	1	0	0	1	3	0	350
12:15	0	161	5	0	0	0	3	0	1	209	3	0	0	0	8	0	390
12:30	3	178	11	0	0	0	0	0	1	207	4	0	0	0	10	0	414
12:45	1	161	10	0	0	0	6	0	3	160	5	0	0	0	10	0	356
Total	6	644	33	0	0	0	10	0	7	765	13	0	0	1	31	0	1510
13:00	0	209	12	0	0	0	4	0	3	232	3	0	0	0	9	0	472
13:15	0	180	12	0	0	0	0	0	5	214	5	0	0	0	11	0	427
13:30	0	173	7	0	0	0	0	0	2	207	3	0	0	0	12	0	404
13:45	0	183	12	0	0	0	5	0	1	220	4	0	0	0	14	0	439
Total	0	745	43	0	0	0	9	0	11	873	15	0	0	0	46	0	1742
14:00	1	186	17	0	0	0	1	0	2	202	7	0	0	0	11	0	427
14:15	1	220	13	0	0	0	2	0	1	211	3	0	0	0	10	0	461
14:30	2	249	21	0	0	0	3	0	1	200	2	0	0	0	12	0	490

Associated Consulting Services (ACS)

Saint Paul, MN 55127

-- TRAFFIC DATA --

Location: TH-52 at 200th St E_2019

Ref Pt: 109+00.822

Data Prepared By: ACS

TURNING MOVEMENT COUNT

File Name : TH-52 at 200th St E_2019

Site Code :

Start Date : 3/20/2019

Page No : 2

Groups Printed- Cars - Trucks

Start Time	TH-52 Southbound				200th St E Westbound				TH-52 Northbound				200th St E Eastbound				Int. Total
	Left	Thru	Right	Peds	Left	Thru	Right	Peds	Left	Thru	Right	Peds	Left	Thru	Right	Peds	
14:45	2	225	20	0	0	0	3	0	5	250	6	0	0	0	11	0	522
Total	6	880	71	0	0	0	9	0	9	863	18	0	0	0	44	0	1900
15:00	2	258	14	0	0	0	3	0	2	223	3	0	0	0	14	0	519
15:15	2	293	29	0	0	0	2	0	0	213	7	0	0	0	19	0	565
15:30	2	324	20	0	0	0	2	0	1	222	9	0	0	0	19	0	599
15:45	1	331	38	0	0	0	4	0	6	237	6	0	0	0	15	0	638
Total	7	1206	101	0	0	0	11	0	9	895	25	0	0	0	67	0	2321
16:00	1	331	40	0	0	0	0	0	3	259	4	0	0	0	10	0	648
16:15	1	355	26	0	0	0	1	0	4	242	11	0	0	0	27	0	667
16:30	3	371	35	0	0	0	1	0	7	250	7	0	0	0	15	0	689
16:45	1	341	39	0	0	0	0	0	3	247	5	0	0	0	9	0	645
Total	6	1398	140	0	0	0	2	0	17	998	27	0	0	0	61	0	2649
17:00	0	331	37	0	0	0	1	0	3	248	4	0	0	0	10	0	634
17:15	1	321	40	0	0	0	4	0	3	258	7	0	0	0	12	0	646
17:30	2	351	33	0	0	0	1	0	3	241	6	0	0	0	17	0	654
17:45	0	279	17	0	0	0	2	0	7	256	6	0	0	0	17	0	584
Total	3	1282	127	0	0	0	8	0	16	1003	23	0	0	0	56	0	2518
Grand Total	41	10295	838	0	0	1	89	0	131	11255	187	0	1	1	655	0	23494
Apprch %	0.4	92.1	7.5	0	0	1.1	98.9	0	1.1	97.3	1.6	0	0.2	0.2	99.7	0	
Total %	0.2	43.8	3.6	0	0	0	0.4	0	0.6	47.9	0.8	0	0	0	2.8	0	
Cars	39	8949	782	0	0	1	86	0	121	9822	178	0	1	1	632	0	20612
% Cars	95.1	86.9	93.3	0	0	100	96.6	0	92.4	87.3	95.2	0	100	100	96.5	0	87.7
Trucks	2	1346	56	0	0	0	3	0	10	1433	9	0	0	0	23	0	2882
% Trucks	4.9	13.1	6.7	0	0	0	3.4	0	7.6	12.7	4.8	0	0	0	3.5	0	12.3

Associated Consulting Services (ACS)

Saint Paul, MN 55127

-- TRAFFIC DATA --

Location: TH-52 at 200th St E_2019

Ref Pt: 109+00.822

Data Prepared By: ACS

TURNING MOVEMENT COUNT

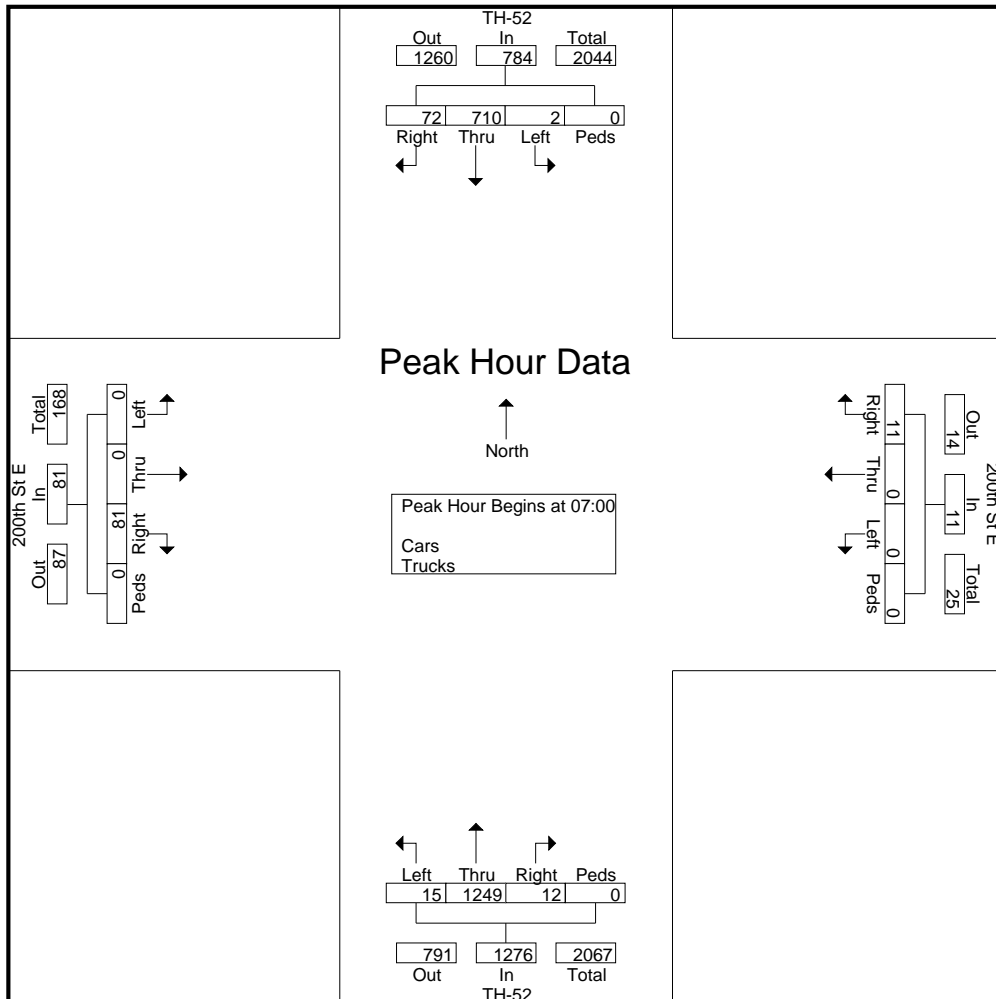
File Name : TH-52 at 200th St E_2019

Site Code :

Start Date : 3/20/2019

Page No : 3

Start Time	TH-52 Southbound					200th St E Westbound					TH-52 Northbound					200th St E Eastbound					Int. Total
	Left	Thru	Right	Peds	App. Total	Left	Thru	Right	Peds	App. Total	Left	Thru	Right	Peds	App. Total	Left	Thru	Right	Peds	App. Total	
Peak Hour Analysis From 06:00 to 11:45 - Peak 1 of 1																					
Peak Hour for Entire Intersection Begins at 07:00																					
07:00	0	158	17	0	175	0	0	3	0	3	1	305	3	0	309	0	0	17	0	17	504
07:15	0	186	14	0	200	0	0	2	0	2	5	319	0	0	324	0	0	21	0	21	547
07:30	0	188	13	0	201	0	0	2	0	2	5	330	7	0	342	0	0	27	0	27	572
07:45	2	178	28	0	208	0	0	4	0	4	4	295	2	0	301	0	0	16	0	16	529
Total Volume	2	710	72	0	784	0	0	11	0	11	15	1249	12	0	1276	0	0	81	0	81	2152
% App. Total	0.3	90.6	9.2	0		0	0	100	0		1.2	97.9	0.9	0		0	0	100	0		
PHF	.250	.944	.643	.000	.942	.000	.000	.688	.000	.688	.750	.946	.429	.000	.933	.000	.000	.750	.000	.750	.941



Associated Consulting Services (ACS)

Saint Paul, MN 55127

-- TRAFFIC DATA --

Location: TH-52 at 200th St E_2019

Ref Pt: 109+00.822

Data Prepared By: ACS

TURNING MOVEMENT COUNT

File Name : TH-52 at 200th St E_2019

Site Code :

Start Date : 3/20/2019

Page No : 4

Start Time	TH-52 Southbound					200th St E Westbound					TH-52 Northbound					200th St E Eastbound					Int. Total
	Left	Thru	Right	Peds	App. Total	Left	Thru	Right	Peds	App. Total	Left	Thru	Right	Peds	App. Total	Left	Thru	Right	Peds	App. Total	
Peak Hour Analysis From 12:00 to 17:45 - Peak 1 of 1																					
Peak Hour for Entire Intersection Begins at 16:00																					
16:00	1	331	40	0	372	0	0	0	0	0	3	259	4	0	266	0	0	10	0	10	648
16:15	1	355	26	0	382	0	0	1	0	1	4	242	11	0	257	0	0	27	0	27	667
16:30	3	371	35	0	409	0	0	1	0	1	7	250	7	0	264	0	0	15	0	15	689
16:45	1	341	39	0	381	0	0	0	0	0	3	247	5	0	255	0	0	9	0	9	645
Total Volume	6	1398	140	0	1544	0	0	2	0	2	17	998	27	0	1042	0	0	61	0	61	2649
% App. Total	0.4	90.5	9.1	0		0	0	100	0		1.6	95.8	2.6	0		0	0	100	0		
PHF	.500	.942	.875	.000	.944	.000	.000	.500	.000	.500	.607	.963	.614	.000	.979	.000	.000	.565	.000	.565	.961

