

Alliant Engineering, Inc.

733 Marquette Ave #700, Minneapolis, MN 55402

Prairie Center Dr & Technology Dr S Jct
 Ref Pt:
 data by: Alliant Inc
 TURN MOVEMENT COUNT

File Name : 22_EP_Prairie Center Dr at Technology Dr S Jct
 Site Code : 1735978
 Start Date : 12/17/2020
 Page No : 1

Groups Printed- Cars - Trucks

Start Time	Prairie Center Dr Southbound					Technology Dr S Jct Westbound					Prairie Center Dr Northbound					Technology Dr S Jct Eastbound					Int. Total
	Right	Thru	Left	Peds	App. Total	Right	Thru	Left	Peds	App. Total	Right	Thru	Left	Peds	App. Total	Right	Thru	Left	Peds	App. Total	
06:00 AM	5	20	0	0	25	0	0	0	0	0	0	13	1	0	14	0	0	6	0	6	45
06:15 AM	9	44	1	0	54	0	0	0	0	0	0	11	4	0	15	4	0	4	0	8	77
06:30 AM	21	60	3	0	84	0	0	0	0	0	1	24	3	0	28	4	0	8	0	12	124
06:45 AM	21	72	8	0	101	1	0	0	0	1	2	27	7	0	36	9	3	7	0	19	157
Total	56	196	12	0	264	1	0	0	0	1	3	75	15	0	93	17	3	25	0	45	403
07:00 AM	9	30	2	0	41	0	0	0	0	0	3	33	7	0	43	5	0	10	0	15	99
07:15 AM	21	53	7	0	81	0	0	0	0	0	1	39	10	0	50	9	0	6	0	15	146
07:30 AM	21	71	2	0	94	3	1	3	0	7	1	60	10	0	71	9	2	8	0	19	191
07:45 AM	8	92	9	0	109	3	0	3	0	6	1	59	11	0	71	9	2	1	0	12	198
Total	59	246	20	0	325	6	1	6	0	13	6	191	38	0	235	32	4	25	0	61	634
08:00 AM	27	88	6	0	121	1	4	0	0	5	1	46	7	0	54	13	3	10	0	26	206
08:15 AM	21	91	2	0	114	6	0	2	0	8	1	65	8	0	74	10	0	13	0	23	219
08:30 AM	21	97	10	0	128	3	0	1	0	4	0	48	9	0	57	5	1	9	0	15	204
08:45 AM	29	116	4	0	149	4	0	3	0	7	2	74	12	0	88	18	1	13	0	32	276
Total	98	392	22	0	512	14	4	6	0	24	4	233	36	0	273	46	5	45	0	96	905
09:00 AM	12	101	5	0	118	3	3	0	0	6	1	83	5	0	89	15	0	12	0	27	240
09:15 AM	12	136	5	0	153	2	0	1	0	3	1	95	5	0	101	17	3	21	0	41	298
*** BREAK ***																					
Total	24	237	10	0	271	5	3	1	0	9	2	178	10	0	190	32	3	33	0	68	538
*** BREAK ***																					
10:30 AM	17	166	2	0	185	6	1	4	0	11	2	142	15	0	159	21	1	23	0	45	400
10:45 AM	18	182	4	1	205	8	0	3	0	11	2	134	17	0	153	23	4	15	0	42	411
Total	35	348	6	1	390	14	1	7	0	22	4	276	32	0	312	44	5	38	0	87	811
11:00 AM	19	205	6	0	230	4	0	3	0	7	0	154	17	0	171	21	1	17	0	39	447
11:15 AM	36	205	2	0	243	10	0	5	1	16	3	181	22	0	206	27	4	17	0	48	513
11:30 AM	32	212	3	1	248	5	4	6	1	16	1	189	26	0	216	34	3	36	0	73	553
11:45 AM	33	238	6	0	277	5	0	6	1	12	2	206	41	0	249	34	0	27	0	61	599
Total	120	860	17	1	998	24	4	20	3	51	6	730	106	0	842	116	8	97	0	221	2112
12:00 PM	46	217	1	0	264	6	5	1	0	12	4	208	26	0	238	40	2	27	0	69	583
12:15 PM	34	208	7	0	249	4	2	2	0	8	1	222	22	0	245	35	0	38	0	73	575
12:30 PM	31	215	4	1	251	4	0	9	0	13	1	229	43	0	273	39	0	38	0	77	614
12:45 PM	26	214	7	0	247	1	0	5	0	6	2	219	35	0	256	34	0	43	0	77	586
Total	137	854	19	1	1011	15	7	17	0	39	8	878	126	0	1012	148	2	146	0	296	2358
01:00 PM	32	233	7	0	272	7	1	2	0	10	3	234	30	0	267	49	1	20	0	70	619
01:15 PM	31	243	7	0	281	6	0	1	0	7	4	212	42	0	258	30	2	23	0	55	601
*** BREAK ***																					
Total	63	476	14	0	553	13	1	3	0	17	7	446	72	0	525	79	3	43	0	125	1220
*** BREAK ***																					
02:30 PM	20	215	4	0	239	1	1	4	1	7	1	233	20	0	254	27	1	26	0	54	554
02:45 PM	28	247	11	3	289	3	0	6	3	12	3	259	21	0	283	26	0	22	0	48	632
Total	48	462	15	3	528	4	1	10	4	19	4	492	41	0	537	53	1	48	0	102	1186
03:00 PM	21	219	4	0	244	7	2	3	0	12	3	243	15	0	261	28	0	33	0	61	578
03:15 PM	30	242	5	0	277	14	0	5	1	20	0	233	20	0	253	22	2	30	2	56	606
03:30 PM	23	259	3	0	285	6	2	2	0	10	1	243	23	0	267	26	3	26	0	55	617
03:45 PM	17	253	7	0	277	8	0	1	2	11	3	260	28	0	291	36	1	28	1	66	645
Total	91	973	19	0	1083	35	4	11	3	53	7	979	86	0	1072	112	6	117	3	238	2446
04:00 PM	12	217	2	0	231	11	1	5	0	17	3	248	28	0	279	29	1	29	0	59	586

Alliant Engineering, Inc.

733 Marquette Ave #700, Minneapolis, MN 55402

Prairie Center Dr & Technology Dr S Jct
 Ref Pt:
 data by: Alliant Inc
 TURN MOVEMENT COUNT

File Name : 22_EP_Prairie Center Dr at Technology Dr S Jct
 Site Code : 1735978
 Start Date : 12/17/2020
 Page No : 2

Groups Printed- Cars - Trucks

Start Time	Prairie Center Dr Southbound					Technology Dr S Jct Westbound					Prairie Center Dr Northbound					Technology Dr S Jct Eastbound					Int. Total
	Right	Thru	Left	Peds	App. Total	Right	Thru	Left	Peds	App. Total	Right	Thru	Left	Peds	App. Total	Right	Thru	Left	Peds	App. Total	
04:15 PM	20	275	1	0	296	6	1	4	0	11	3	264	17	0	284	28	2	31	0	61	652
04:30 PM	28	236	2	1	267	7	2	8	1	18	1	277	26	0	304	25	3	30	0	58	647
04:45 PM	32	211	5	1	249	7	0	3	1	11	0	260	35	0	295	35	0	31	0	66	621
Total	92	939	10	2	1043	31	4	20	2	57	7	1049	106	0	1162	117	6	121	0	244	2506
05:00 PM	32	217	1	0	250	14	4	6	0	24	1	286	17	0	304	35	1	20	0	56	634
05:15 PM	30	229	1	0	260	3	0	0	0	3	0	311	38	0	349	29	0	37	0	66	678
05:30 PM	34	203	3	0	240	6	0	1	0	7	1	239	27	0	267	25	0	39	0	64	578
05:45 PM	41	259	0	0	300	4	0	0	0	4	2	248	24	0	274	18	0	28	0	46	624
Total	137	908	5	0	1050	27	4	7	0	38	4	1084	106	0	1194	107	1	124	0	232	2514
Grand Total	960	6891	169	8	8028	189	34	108	12	343	62	6611	774	0	7447	903	47	862	3	1815	17633
Apprch %	12	85.8	2.1	0.1		55.1	9.9	31.5	3.5		0.8	88.8	10.4	0		49.8	2.6	47.5	0.2		
Total %	5.4	39.1	1	0	45.5	1.1	0.2	0.6	0.1	1.9	0.4	37.5	4.4	0	42.2	5.1	0.3	4.9	0	10.3	
Cars	935	6822	169	8	7934	186	32	108	12	338	62	6536	762	0	7360	892	45	850	3	1790	17422
% Cars	97.4	99	100	100	98.8	98.4	94.1	100	100	98.5	100	98.9	98.4	0	98.8	98.8	95.7	98.6	100	98.6	98.8
Trucks	25	69	0	0	94	3	2	0	0	5	0	75	12	0	87	11	2	12	0	25	211
% Trucks	2.6	1	0	0	1.2	1.6	5.9	0	0	1.5	0	1.1	1.6	0	1.2	1.2	4.3	1.4	0	1.4	1.2

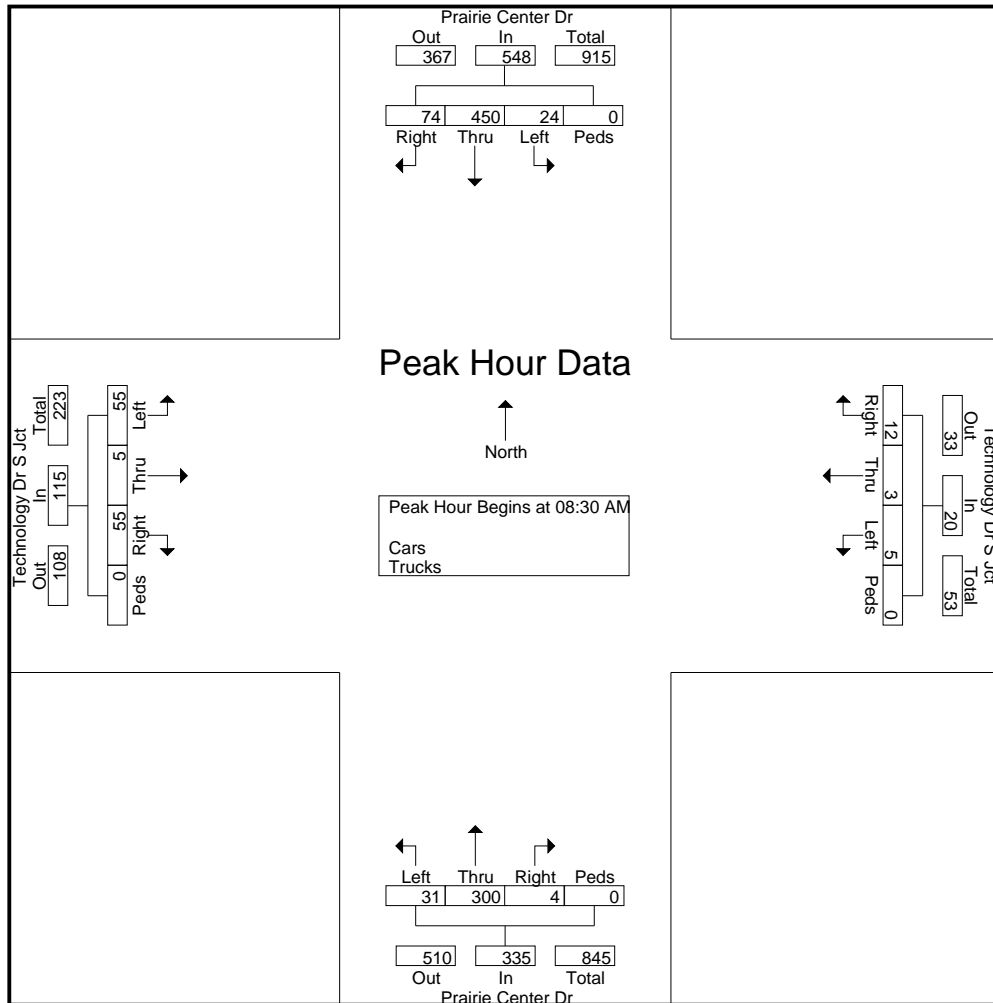
Alliant Engineering, Inc.

733 Marquette Ave #700, Minneapolis, MN 55402

Prairie Center Dr & Technology Dr S Jct
 Ref Pt:
 data by: Alliant Inc
 TURN MOVEMENT COUNT

File Name : 22_EP_Prairie Center Dr at Technology Dr S Jct
 Site Code : 1735978
 Start Date : 12/17/2020
 Page No : 3

Start Time	Prairie Center Dr Southbound					Technology Dr S Jct Westbound					Prairie Center Dr Northbound					Technology Dr S Jct Eastbound					Int. Total
	Right	Thru	Left	Peds	App. Total	Right	Thru	Left	Peds	App. Total	Right	Thru	Left	Peds	App. Total	Right	Thru	Left	Peds	App. Total	
Peak Hour Analysis From 06:00 AM to 09:45 AM - Peak 1 of 1																					
Peak Hour for Entire Intersection Begins at 08:30 AM																					
08:30 AM	21	97	10	0	128	3	0	1	0	4	0	48	9	0	57	5	1	9	0	15	204
08:45 AM	29	116	4	0	149	4	0	3	0	7	2	74	12	0	88	18	1	13	0	32	276
09:00 AM	12	101	5	0	118	3	3	0	0	6	1	83	5	0	89	15	0	12	0	27	240
09:15 AM	12	136	5	0	153	2	0	1	0	3	1	95	5	0	101	17	3	21	0	41	298
Total Volume	74	450	24	0	548	12	3	5	0	20	4	300	31	0	335	55	5	55	0	115	1018
% App. Total	13.5	82.1	4.4	0		60	15	25	0		1.2	89.6	9.3	0		47.8	4.3	47.8	0		
PHF	.638	.827	.600	.000	.895	.750	.250	.417	.000	.714	.500	.789	.646	.000	.829	.764	.417	.655	.000	.701	.854



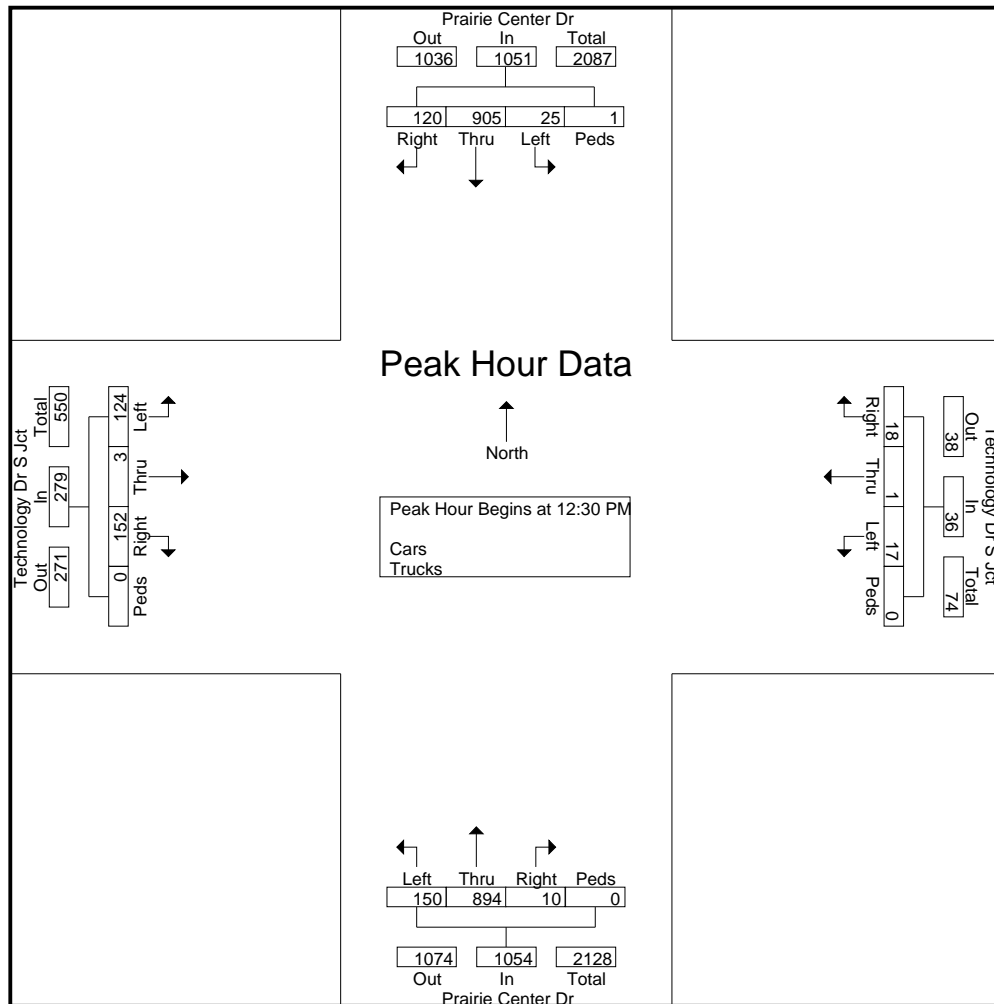
Alliant Engineering, Inc.

733 Marquette Ave #700, Minneapolis, MN 55402

Prairie Center Dr & Technology Dr S Jct
 Ref Pt:
 data by: Alliant Inc
 TURN MOVEMENT COUNT

File Name : 22_EP_Prairie Center Dr at Technology Dr S Jct
 Site Code : 1735978
 Start Date : 12/17/2020
 Page No : 4

Start Time	Prairie Center Dr Southbound					Technology Dr S Jct Westbound					Prairie Center Dr Northbound					Technology Dr S Jct Eastbound					Int. Total
	Right	Thru	Left	Peds	App. Total	Right	Thru	Left	Peds	App. Total	Right	Thru	Left	Peds	App. Total	Right	Thru	Left	Peds	App. Total	
Peak Hour Analysis From 10:00 AM to 01:45 PM - Peak 1 of 1																					
Peak Hour for Entire Intersection Begins at 12:30 PM																					
12:30 PM	31	215	4	1	251	4	0	9	0	13	1	229	43	0	273	39	0	38	0	77	614
12:45 PM	26	214	7	0	247	1	0	5	0	6	2	219	35	0	256	34	0	43	0	77	586
01:00 PM	32	233	7	0	272	7	1	2	0	10	3	234	30	0	267	49	1	20	0	70	619
01:15 PM	31	243	7	0	281	6	0	1	0	7	4	212	42	0	258	30	2	23	0	55	601
Total Volume	120	905	25	1	1051	18	1	17	0	36	10	894	150	0	1054	152	3	124	0	279	2420
% App. Total	11.4	86.1	2.4	0.1		50	2.8	47.2	0		0.9	84.8	14.2	0		54.5	1.1	44.4	0		
PHF	.938	.931	.893	.250	.935	.643	.250	.472	.000	.692	.625	.955	.872	.000	.965	.776	.375	.721	.000	.906	.977



Alliant Engineering, Inc.

733 Marquette Ave #700, Minneapolis, MN 55402

Prairie Center Dr & Technology Dr S Jct
 Ref Pt:
 data by: Alliant Inc
 TURN MOVEMENT COUNT

File Name : 22_EP_Prairie Center Dr at Technology Dr S Jct
 Site Code : 1735978
 Start Date : 12/17/2020
 Page No : 5

Start Time	Prairie Center Dr Southbound					Technology Dr S Jct Westbound					Prairie Center Dr Northbound					Technology Dr S Jct Eastbound					Int. Total
	Right	Thru	Left	Peds	App. Total	Right	Thru	Left	Peds	App. Total	Right	Thru	Left	Peds	App. Total	Right	Thru	Left	Peds	App. Total	
Peak Hour Analysis From 02:00 PM to 05:45 PM - Peak 1 of 1																					
Peak Hour for Entire Intersection Begins at 04:30 PM																					
04:30 PM	28	236	2	1	267	7	2	8	1	18	1	277	26	0	304	25	3	30	0	58	647
04:45 PM	32	211	5	1	249	7	0	3	1	11	0	260	35	0	295	35	0	31	0	66	621
05:00 PM	32	217	1	0	250	14	4	6	0	24	1	286	17	0	304	35	1	20	0	56	634
05:15 PM	30	229	1	0	260	3	0	0	0	3	0	311	38	0	349	29	0	37	0	66	678
Total Volume	122	893	9	2	1026	31	6	17	2	56	2	1134	116	0	1252	124	4	118	0	246	2580
% App. Total	11.9	87	0.9	0.2		55.4	10.7	30.4	3.6		0.2	90.6	9.3	0		50.4	1.6	48	0		
PHF	.953	.946	.450	.500	.961	.554	.375	.531	.500	.583	.500	.912	.763	.000	.897	.886	.333	.797	.000	.932	.951

