

# Alliant Engineering, Inc.

733 Marquette Ave #700, Minneapolis, MN 55402

Powers Blvd & TH 212 S Ramp  
 Ref Pt: 152+00.265  
 data by: Alliant Inc  
 TURN MOVEMENT COUNT

File Name : 1736527\_Powers & TH 212 S Ramp  
 Site Code : 1736527  
 Start Date : 3/6/2019  
 Page No : 1

## Groups Printed- Cars - Trucks

Start Time	Powers Blvd Southbound					TH 212 S Ramp Westbound					Powers Blvd Northbound					TH 212 S Ramp Eastbound					Int. Total
	Right	Thru	Left	Peds	App. Total	Right	Thru	Left	Peds	App. Total	Right	Thru	Left	Peds	App. Total	Right	Thru	Left	Peds	App. Total	
06:00 AM	0	34	32	0	66	16	0	2	0	18	48	11	0	0	59	0	0	0	0	0	143
06:15 AM	0	36	26	0	62	16	0	1	0	17	74	13	0	0	87	0	0	0	0	0	166
06:30 AM	0	28	22	0	50	30	0	2	0	32	122	28	0	0	150	0	0	0	0	0	232
06:45 AM	0	37	28	0	65	38	0	1	0	39	116	48	0	0	164	0	0	0	0	0	268
Total	0	135	108	0	243	100	0	6	0	106	360	100	0	0	460	0	0	0	0	0	809
07:00 AM	0	43	23	0	66	32	0	3	0	35	102	28	0	0	130	0	0	0	0	0	231
07:15 AM	0	50	17	0	67	46	0	2	0	48	118	60	0	0	178	0	0	0	0	0	293
07:30 AM	0	42	18	0	60	96	0	1	0	97	107	61	0	0	168	0	0	0	0	0	325
07:45 AM	0	55	23	0	78	75	0	1	0	76	87	78	0	0	165	0	0	0	0	0	319
Total	0	190	81	0	271	249	0	7	0	256	414	227	0	0	641	0	0	0	0	0	1168
08:00 AM	0	38	15	0	53	43	0	2	0	45	116	45	0	0	161	0	0	0	0	0	259
08:15 AM	0	42	22	0	64	32	0	3	0	35	73	37	0	0	110	0	0	0	0	0	209
08:30 AM	0	19	25	0	44	18	0	0	0	18	69	28	0	0	97	0	0	0	0	0	159
08:45 AM	0	28	17	0	45	31	0	1	0	32	79	25	0	0	104	0	0	0	0	0	181
Total	0	127	79	0	206	124	0	6	0	130	337	135	0	0	472	0	0	0	0	0	808
09:00 AM	0	37	22	0	59	14	0	0	0	14	70	20	0	0	90	0	0	0	0	0	163
09:15 AM	0	28	26	0	54	15	0	0	0	15	57	20	0	0	77	0	0	0	0	0	146
09:30 AM	0	31	19	0	50	19	0	2	0	21	48	21	0	0	69	0	0	0	0	0	140
09:45 AM	0	34	24	0	58	14	0	0	0	14	47	12	0	0	59	0	0	0	0	0	131
Total	0	130	91	0	221	62	0	2	0	64	222	73	0	0	295	0	0	0	0	0	580
10:00 AM	0	25	25	0	50	4	0	2	0	6	37	20	0	0	57	0	0	0	0	0	113
10:15 AM	0	24	30	0	54	9	0	1	0	10	39	22	0	0	61	0	0	0	0	0	125
10:30 AM	0	40	25	0	65	7	0	0	0	7	37	14	0	0	51	0	0	0	0	0	123
10:45 AM	0	39	22	0	61	9	0	0	0	9	37	17	0	0	54	0	0	0	0	0	124
Total	0	128	102	0	230	29	0	3	0	32	150	73	0	0	223	0	0	0	0	0	485
11:00 AM	0	22	29	0	51	7	0	0	0	7	23	14	0	0	37	0	0	0	0	0	95
11:15 AM	0	36	17	0	53	10	0	1	0	11	38	15	0	0	53	0	0	0	0	0	117
11:30 AM	0	38	20	0	58	11	0	0	0	11	21	28	0	0	49	0	0	0	0	0	118
11:45 AM	0	48	29	0	77	17	0	0	0	17	25	16	0	0	41	0	0	0	0	0	135
Total	0	144	95	0	239	45	0	1	0	46	107	73	0	0	180	0	0	0	0	0	465
12:00 PM	0	39	33	0	72	14	0	0	0	14	45	21	0	0	66	0	0	0	0	0	152
12:15 PM	0	47	29	0	76	13	0	0	0	13	33	17	0	0	50	0	0	0	0	0	139
12:30 PM	0	51	18	0	69	14	0	0	0	14	33	20	0	0	53	0	0	0	0	0	136
12:45 PM	0	37	21	0	58	18	0	1	0	19	25	24	0	0	49	0	0	0	0	0	126
Total	0	174	101	0	275	59	0	1	0	60	136	82	0	0	218	0	0	0	0	0	553
01:00 PM	0	36	22	0	58	9	0	0	0	9	36	22	0	0	58	0	0	0	0	0	125
01:15 PM	0	50	24	0	74	11	0	1	0	12	27	16	0	0	43	0	0	0	0	0	129
01:30 PM	0	45	19	0	64	9	0	2	0	11	31	18	0	0	49	0	0	0	0	0	124
01:45 PM	0	58	24	0	82	8	0	0	0	8	21	18	0	0	39	0	0	0	0	0	129
Total	0	189	89	0	278	37	0	3	0	40	115	74	0	0	189	0	0	0	0	0	507
02:00 PM	0	49	43	0	92	11	0	0	0	11	35	26	0	0	61	0	0	0	0	0	164
02:15 PM	0	76	39	0	115	12	0	1	0	13	30	34	0	0	64	0	0	0	0	0	192
02:30 PM	0	79	51	0	130	17	0	0	0	17	33	16	0	0	49	0	0	0	0	0	196
02:45 PM	0	57	31	0	88	23	0	1	0	24	26	25	0	0	51	0	0	0	0	0	163
Total	0	261	164	0	425	63	0	2	0	65	124	101	0	0	225	0	0	0	0	0	715
03:00 PM	0	88	72	0	160	14	0	0	0	14	31	29	0	0	60	0	0	0	0	0	234
03:15 PM	0	95	44	0	139	12	0	0	0	12	41	24	0	0	65	0	0	0	0	0	216
03:30 PM	0	111	68	0	179	16	0	0	0	16	43	36	0	0	79	0	0	0	0	0	274

# Alliant Engineering, Inc.

733 Marquette Ave #700, Minneapolis, MN 55402

Powers Blvd & TH 212 S Ramp  
 Ref Pt: 152+00.265  
 data by: Alliant Inc  
 TURN MOVEMENT COUNT

File Name : 1736527\_Powers & TH 212 S Ramp  
 Site Code : 1736527  
 Start Date : 3/6/2019  
 Page No : 2

Groups Printed- Cars - Trucks

Start Time	Powers Blvd Southbound					TH 212 S Ramp Westbound					Powers Blvd Northbound					TH 212 S Ramp Eastbound					Int. Total
	Right	Thru	Left	Peds	App. Total	Right	Thru	Left	Peds	App. Total	Right	Thru	Left	Peds	App. Total	Right	Thru	Left	Peds	App. Total	
03:45 PM	0	133	51	0	184	24	0	3	0	27	33	25	0	0	58	0	0	0	0	0	269
Total	0	427	235	0	662	66	0	3	0	69	148	114	0	0	262	0	0	0	0	0	993
04:00 PM	0	114	75	0	189	18	0	2	0	20	33	30	0	0	63	0	0	0	0	0	272
04:15 PM	0	111	75	0	186	19	0	0	0	19	47	53	0	0	100	0	0	0	0	0	305
04:30 PM	0	138	60	0	198	10	0	1	0	11	39	40	0	0	79	0	0	0	0	0	288
04:45 PM	0	144	57	0	201	21	0	1	0	22	33	39	0	0	72	0	0	0	0	0	295
Total	0	507	267	0	774	68	0	4	0	72	152	162	0	0	314	0	0	0	0	0	1160
05:00 PM	0	156	74	0	230	16	0	0	0	16	43	47	0	0	90	0	0	0	0	0	336
05:15 PM	0	135	61	0	196	26	0	2	0	28	42	53	0	0	95	0	0	0	0	0	319
05:30 PM	0	133	36	0	169	11	0	1	0	12	32	44	0	0	76	0	0	0	0	0	257
05:45 PM	0	124	43	0	167	12	0	1	0	13	25	30	0	0	55	0	0	0	0	0	235
Total	0	548	214	0	762	65	0	4	0	69	142	174	0	0	316	0	0	0	0	0	1147
06:00 PM	0	129	27	0	156	12	0	1	0	13	29	28	0	0	57	0	0	0	0	0	226
06:15 PM	0	122	30	0	152	3	0	1	0	4	31	25	0	0	56	0	0	0	0	0	212
06:30 PM	0	90	30	0	120	11	0	1	0	12	35	22	0	0	57	0	0	0	0	0	189
06:45 PM	0	52	17	0	69	13	0	0	0	13	27	24	0	0	51	0	0	0	0	0	133
Total	0	393	104	0	497	39	0	3	0	42	122	99	0	0	221	0	0	0	0	0	760
Grand Total	0	3353	1730	0	5083	1006	0	45	0	1051	2529	1487	0	0	4016	0	0	0	0	0	10150
Apprch %	0	66	34	0		95.7	0	4.3	0		63	37	0	0		0	0	0	0		
Total %	0	33	17	0	50.1	9.9	0	0.4	0	10.4	24.9	14.7	0	0	39.6	0	0	0	0	0	
Cars	0	3291	1599	0	4890	983	0	45	0	1028	2488	1446	0	0	3934	0	0	0	0	0	9852
% Cars	0	98.2	92.4	0	96.2	97.7	0	100	0	97.8	98.4	97.2	0	0	98	0	0	0	0	0	97.1
Trucks	0	62	131	0	193	23	0	0	0	23	41	41	0	0	82	0	0	0	0	0	298
% Trucks	0	1.8	7.6	0	3.8	2.3	0	0	0	2.2	1.6	2.8	0	0	2	0	0	0	0	0	2.9

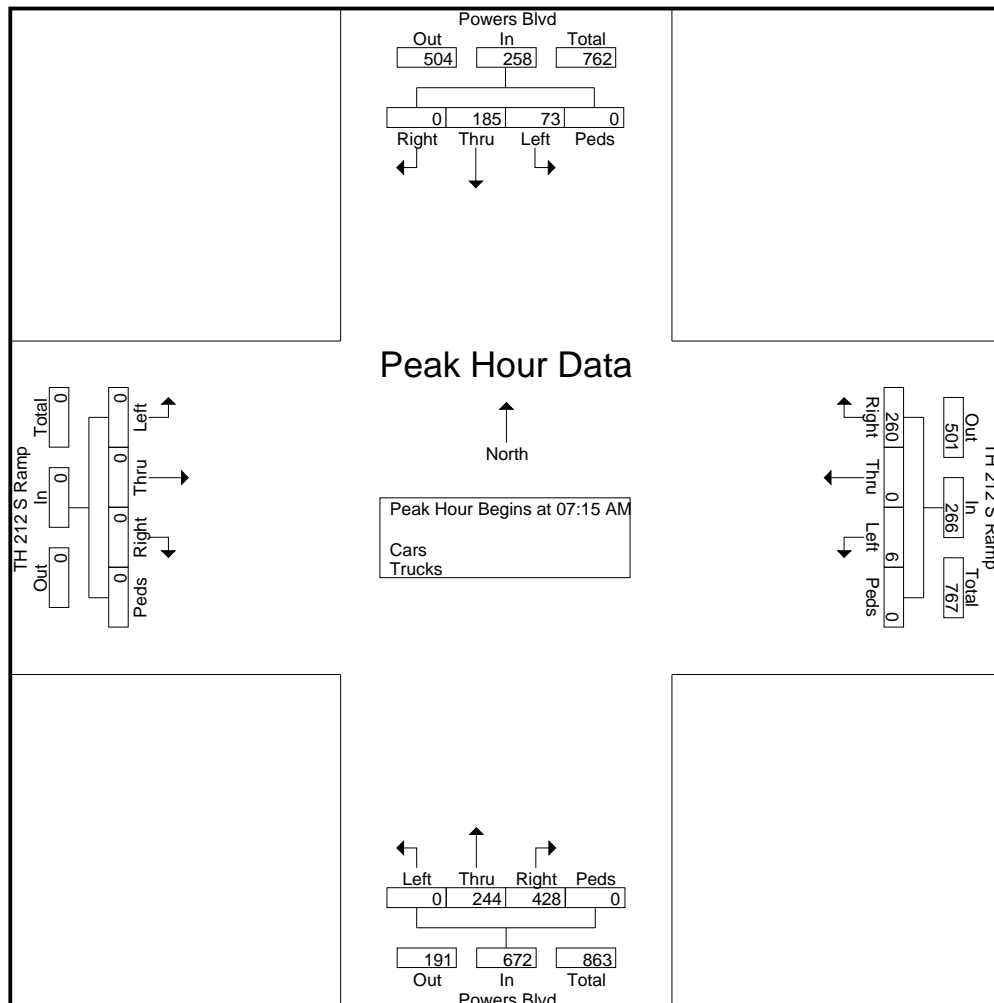
# Alliant Engineering, Inc.

733 Marquette Ave #700, Minneapolis, MN 55402

Powers Blvd & TH 212 S Ramp  
 Ref Pt: 152+00.265  
 data by: Alliant Inc  
 TURN MOVEMENT COUNT

File Name : 1736527\_Powers & TH 212 S Ramp  
 Site Code : 1736527  
 Start Date : 3/6/2019  
 Page No : 3

Start Time	Powers Blvd Southbound					TH 212 S Ramp Westbound					Powers Blvd Northbound					TH 212 S Ramp Eastbound					Int. Total
	Right	Thru	Left	Peds	App. Total	Right	Thru	Left	Peds	App. Total	Right	Thru	Left	Peds	App. Total	Right	Thru	Left	Peds	App. Total	
Peak Hour Analysis From 06:00 AM to 09:45 AM - Peak 1 of 1																					
Peak Hour for Entire Intersection Begins at 07:15 AM																					
07:15 AM	0	50	17	0	67	46	0	2	0	48	118	60	0	0	178	0	0	0	0	0	293
07:30 AM	0	42	18	0	60	96	0	1	0	97	107	61	0	0	168	0	0	0	0	0	325
07:45 AM	0	55	23	0	78	75	0	1	0	76	87	78	0	0	165	0	0	0	0	0	319
08:00 AM	0	38	15	0	53	43	0	2	0	45	116	45	0	0	161	0	0	0	0	0	259
Total Volume	0	185	73	0	258	260	0	6	0	266	428	244	0	0	672	0	0	0	0	0	1196
% App. Total	0	71.7	28.3	0		97.7	0	2.3	0		63.7	36.3	0	0		0	0	0	0		
PHF	.000	.841	.793	.000	.827	.677	.000	.750	.000	.686	.907	.782	.000	.000	.944	.000	.000	.000	.000	.000	.920



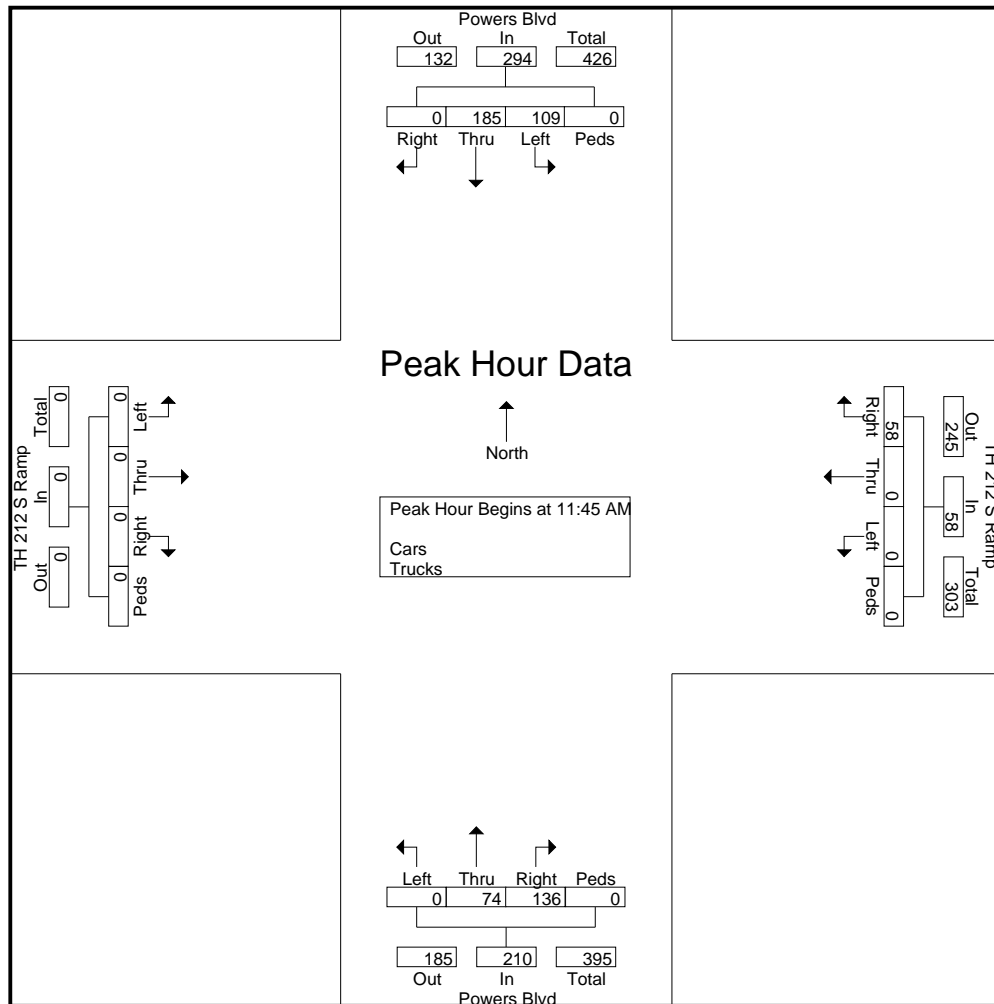
# Alliant Engineering, Inc.

733 Marquette Ave #700, Minneapolis, MN 55402

Powers Blvd & TH 212 S Ramp  
 Ref Pt: 152+00.265  
 data by: Alliant Inc  
 TURN MOVEMENT COUNT

File Name : 1736527\_Powers & TH 212 S Ramp  
 Site Code : 1736527  
 Start Date : 3/6/2019  
 Page No : 4

Start Time	Powers Blvd Southbound					TH 212 S Ramp Westbound					Powers Blvd Northbound					TH 212 S Ramp Eastbound					Int. Total
	Right	Thru	Left	Peds	App. Total	Right	Thru	Left	Peds	App. Total	Right	Thru	Left	Peds	App. Total	Right	Thru	Left	Peds	App. Total	
Peak Hour Analysis From 10:00 AM to 01:45 PM - Peak 1 of 1																					
Peak Hour for Entire Intersection Begins at 11:45 AM																					
11:45 AM	0	48	29	0	77	17	0	0	0	17	25	16	0	0	41	0	0	0	0	0	135
12:00 PM	0	39	33	0	72	14	0	0	0	14	45	21	0	0	66	0	0	0	0	0	152
12:15 PM	0	47	29	0	76	13	0	0	0	13	33	17	0	0	50	0	0	0	0	0	139
12:30 PM	0	51	18	0	69	14	0	0	0	14	33	20	0	0	53	0	0	0	0	0	136
Total Volume	0	185	109	0	294	58	0	0	0	58	136	74	0	0	210	0	0	0	0	0	562
% App. Total	0	62.9	37.1	0		100	0	0	0		64.8	35.2	0	0		0	0	0	0	0	
PHF	.000	.907	.826	.000	.955	.853	.000	.000	.000	.853	.756	.881	.000	.000	.795	.000	.000	.000	.000	.000	.924



# Alliant Engineering, Inc.

733 Marquette Ave #700, Minneapolis, MN 55402

Powers Blvd & TH 212 S Ramp  
 Ref Pt: 152+00.265  
 data by: Alliant Inc  
 TURN MOVEMENT COUNT

File Name : 1736527\_Powers & TH 212 S Ramp  
 Site Code : 1736527  
 Start Date : 3/6/2019  
 Page No : 5

Start Time	Powers Blvd Southbound					TH 212 S Ramp Westbound					Powers Blvd Northbound					TH 212 S Ramp Eastbound					Int. Total
	Right	Thru	Left	Peds	App. Total	Right	Thru	Left	Peds	App. Total	Right	Thru	Left	Peds	App. Total	Right	Thru	Left	Peds	App. Total	
Peak Hour Analysis From 02:00 PM to 05:45 PM - Peak 1 of 1																					
Peak Hour for Entire Intersection Begins at 04:30 PM																					
04:30 PM	0	138	60	0	198	10	0	1	0	11	39	40	0	0	79	0	0	0	0	0	288
04:45 PM	0	144	57	0	201	21	0	1	0	22	33	39	0	0	72	0	0	0	0	0	295
05:00 PM	0	<b>156</b>	<b>74</b>	0	<b>230</b>	16	0	0	0	16	<b>43</b>	47	0	0	90	0	0	0	0	0	<b>336</b>
05:15 PM	0	135	61	0	196	<b>26</b>	0	<b>2</b>	0	<b>28</b>	42	<b>53</b>	0	0	<b>95</b>	0	0	0	0	0	319
Total Volume	0	573	252	0	825	73	0	4	0	77	157	179	0	0	336	0	0	0	0	0	1238
% App. Total	0	69.5	30.5	0		94.8	0	5.2	0		46.7	53.3	0	0		0	0	0	0		
PHF	.000	.918	.851	.000	.897	.702	.000	.500	.000	.688	.913	.844	.000	.000	.884	.000	.000	.000	.000	.000	.921

