

Alliant Engineering, Inc.

733 Marquette Ave #700, Minneapolis, MN 55402

Powers Blvd & TH 212 N Ramp
 Ref Pt: 152+00.266
 data by: Alliant Inc
 TURN MOVEMENT COUNT

File Name : 1736526_Powers & TH 212 N Ramp
 Site Code : 1736526
 Start Date : 3/6/2019
 Page No : 1

Groups Printed- Cars - Trucks

Start Time	Powers Blvd Southbound					TH 212 N Ramp Westbound					Powers Blvd Northbound					TH 212 N Ramp Eastbound					Int. Total
	Right	Thru	Left	Peds	App. Total	Right	Thru	Left	Peds	App. Total	Right	Thru	Left	Peds	App. Total	Right	Thru	Left	Peds	App. Total	
06:00 AM	0	56	15	0	71	45	0	5	0	50	0	29	0	0	29	0	0	0	0	0	150
06:15 AM	0	49	14	0	63	38	0	10	0	48	0	25	0	0	25	0	0	0	0	0	136
06:30 AM	0	42	10	0	52	62	0	13	0	75	2	50	0	0	52	0	0	0	0	0	179
06:45 AM	0	45	5	0	50	100	0	16	0	116	1	89	0	0	90	0	0	0	0	0	256
Total	0	192	44	0	236	245	0	44	0	289	3	193	0	0	196	0	0	0	0	0	721
07:00 AM	0	43	13	0	56	81	0	24	0	105	0	56	0	0	56	0	0	0	0	0	217
07:15 AM	0	38	13	0	51	89	0	30	0	119	4	95	0	0	99	0	0	0	0	0	269
07:30 AM	1	38	3	0	42	95	0	25	0	120	5	144	0	0	149	0	0	0	0	0	311
07:45 AM	0	53	9	0	62	146	0	23	0	169	2	164	0	0	166	0	0	0	0	0	397
Total	1	172	38	0	211	411	0	102	0	513	11	459	0	0	470	0	0	0	0	0	1194
08:00 AM	0	37	9	0	46	121	0	17	0	138	0	94	0	0	94	0	0	0	0	0	278
08:15 AM	0	42	7	0	49	78	0	20	0	98	2	73	0	0	75	0	0	0	0	0	222
08:30 AM	0	32	10	0	42	80	0	9	0	89	2	46	0	0	48	0	0	0	0	0	179
08:45 AM	0	32	6	0	38	82	0	15	0	97	2	49	0	0	51	0	0	0	0	0	186
Total	0	143	32	0	175	361	0	61	0	422	6	262	0	0	268	0	0	0	0	0	865
09:00 AM	0	46	13	0	59	54	0	20	0	74	1	34	0	0	35	0	0	0	0	0	168
09:15 AM	0	38	5	0	43	43	0	13	0	56	1	42	0	0	43	0	0	0	0	0	142
09:30 AM	0	29	9	0	38	53	0	20	0	73	2	34	0	0	36	0	0	0	0	0	147
09:45 AM	0	37	5	0	42	33	0	21	0	54	0	30	0	0	30	0	0	0	0	0	126
Total	0	150	32	0	182	183	0	74	0	257	4	140	0	0	144	0	0	0	0	0	583
10:00 AM	0	37	6	0	43	38	0	12	0	50	3	20	0	0	23	0	0	0	0	0	116
10:15 AM	0	48	6	0	54	28	0	7	0	35	0	31	0	0	31	0	0	0	0	0	120
10:30 AM	0	43	6	0	49	30	0	18	0	48	3	20	0	0	23	0	0	0	0	0	120
10:45 AM	0	47	10	0	57	27	0	17	0	44	0	23	0	0	23	0	0	0	0	0	124
Total	0	175	28	0	203	123	0	54	0	177	6	94	0	0	100	0	0	0	0	0	480
11:00 AM	0	44	11	0	55	28	0	10	0	38	1	23	0	0	24	0	0	0	0	0	117
11:15 AM	0	36	9	0	45	30	0	17	0	47	0	21	0	0	21	0	0	0	0	0	113
11:30 AM	0	38	11	0	49	45	0	18	0	63	1	40	0	0	41	0	0	0	0	0	153
11:45 AM	0	52	18	0	70	30	0	21	0	51	1	29	0	0	30	0	0	0	0	0	151
Total	0	170	49	0	219	133	0	66	0	199	3	113	0	0	116	0	0	0	0	0	534
12:00 PM	0	47	6	0	53	37	0	26	0	63	0	41	0	0	41	0	0	0	0	0	157
12:15 PM	0	51	10	0	61	28	0	25	0	53	0	31	0	0	31	0	0	0	0	0	145
12:30 PM	0	41	16	0	57	43	0	25	0	68	0	27	0	0	27	0	0	0	0	0	152
12:45 PM	0	41	10	0	51	41	0	16	0	57	1	40	0	0	41	0	0	0	0	0	149
Total	0	180	42	0	222	149	0	92	0	241	1	139	0	0	140	0	0	0	0	0	603
01:00 PM	0	36	7	0	43	40	0	19	0	59	0	33	0	0	33	0	0	0	0	0	135
01:15 PM	0	49	15	0	64	53	0	27	0	80	2	20	0	0	22	0	0	0	0	0	166
01:30 PM	0	39	9	0	48	55	0	24	0	79	0	30	0	0	30	0	0	0	0	0	157
01:45 PM	0	45	12	0	57	67	0	30	0	97	1	24	0	0	25	0	0	0	0	0	179
Total	0	169	43	0	212	215	0	100	0	315	3	107	0	0	110	0	0	0	0	0	637
02:00 PM	0	53	8	0	61	52	0	35	0	87	1	37	0	0	38	0	0	0	0	0	186
02:15 PM	0	81	10	0	91	33	0	38	0	71	0	41	0	0	41	0	0	0	0	0	203
02:30 PM	0	85	29	0	114	61	0	34	0	95	0	33	0	0	33	0	0	0	0	0	242
02:45 PM	0	55	23	0	78	60	0	38	0	98	1	50	0	0	51	0	0	0	0	0	227
Total	0	274	70	0	344	206	0	145	0	351	2	161	0	0	163	0	0	0	0	0	858
03:00 PM	0	110	59	0	169	59	0	34	0	93	2	42	0	0	44	0	0	0	0	0	306
03:15 PM	0	92	32	0	124	68	0	53	0	121	2	38	0	0	40	0	0	0	0	0	285
03:30 PM	0	120	44	0	164	73	0	46	0	119	5	32	0	0	37	0	0	0	0	0	320

Alliant Engineering, Inc.

733 Marquette Ave #700, Minneapolis, MN 55402

Powers Blvd & TH 212 N Ramp
 Ref Pt: 152+00.266
 data by: Alliant Inc
 TURN MOVEMENT COUNT

File Name : 1736526_Powers & TH 212 N Ramp
 Site Code : 1736526
 Start Date : 3/6/2019
 Page No : 2

Groups Printed- Cars - Trucks

Start Time	Powers Blvd Southbound					TH 212 N Ramp Westbound					Powers Blvd Northbound					TH 212 N Ramp Eastbound					Int. Total
	Right	Thru	Left	Peds	App. Total	Right	Thru	Left	Peds	App. Total	Right	Thru	Left	Peds	App. Total	Right	Thru	Left	Peds	App. Total	
03:45 PM	0	97	30	0	127	50	0	94	0	144	3	55	0	0	58	0	0	0	0	0	329
Total	0	419	165	0	584	250	0	227	0	477	12	167	0	0	179	0	0	0	0	0	1240
04:00 PM	0	106	41	0	147	54	0	74	0	128	2	48	0	0	50	0	0	0	0	0	325
04:15 PM	0	109	48	0	157	44	0	65	0	109	1	71	0	0	72	0	0	0	0	0	338
04:30 PM	0	112	51	0	163	54	0	87	0	141	6	48	0	0	54	0	0	0	0	0	358
04:45 PM	0	108	46	0	154	47	0	86	0	133	1	57	0	0	58	0	0	0	0	0	345
Total	0	435	186	0	621	199	0	312	0	511	10	224	0	0	234	0	0	0	0	0	1366
05:00 PM	0	140	54	0	194	53	0	90	0	143	2	61	0	0	63	0	0	0	0	0	400
05:15 PM	0	112	40	0	152	49	0	83	0	132	2	69	0	0	71	0	0	0	0	0	355
05:30 PM	0	85	43	0	128	50	0	87	0	137	3	61	0	0	64	0	0	0	0	0	329
05:45 PM	0	81	32	0	113	54	0	93	0	147	2	42	0	0	44	0	0	0	0	0	304
Total	0	418	169	0	587	206	0	353	0	559	9	233	0	0	242	0	0	0	0	0	1388
06:00 PM	0	81	39	0	120	40	0	79	0	119	2	34	0	0	36	0	0	0	0	0	275
06:15 PM	0	79	53	0	132	38	0	70	0	108	0	28	0	0	28	0	0	0	0	0	268
06:30 PM	0	74	26	0	100	23	0	40	0	63	0	36	0	0	36	0	0	0	0	0	199
06:45 PM	0	40	18	0	58	31	0	36	0	67	0	35	0	0	35	0	0	0	0	0	160
Total	0	274	136	0	410	132	0	225	0	357	2	133	0	0	135	0	0	0	0	0	902
Grand Total	1	3171	1034	0	4206	2813	0	1855	0	4668	72	2425	0	0	2497	0	0	0	0	0	11371
Apprch %	0	75.4	24.6	0		60.3	0	39.7	0		2.9	97.1	0	0		0	0	0	0		
Total %	0	27.9	9.1	0	37	24.7	0	16.3	0	41.1	0.6	21.3	0	0	22	0	0	0	0	0	
Cars	1	3005	1005	0	4011	2622	0	1825	0	4447	71	2348	0	0	2419	0	0	0	0	0	10877
% Cars	100	94.8	97.2	0	95.4	93.2	0	98.4	0	95.3	98.6	96.8	0	0	96.9	0	0	0	0	0	95.7
Trucks	0	166	29	0	195	191	0	30	0	221	1	77	0	0	78	0	0	0	0	0	494
% Trucks	0	5.2	2.8	0	4.6	6.8	0	1.6	0	4.7	1.4	3.2	0	0	3.1	0	0	0	0	0	4.3

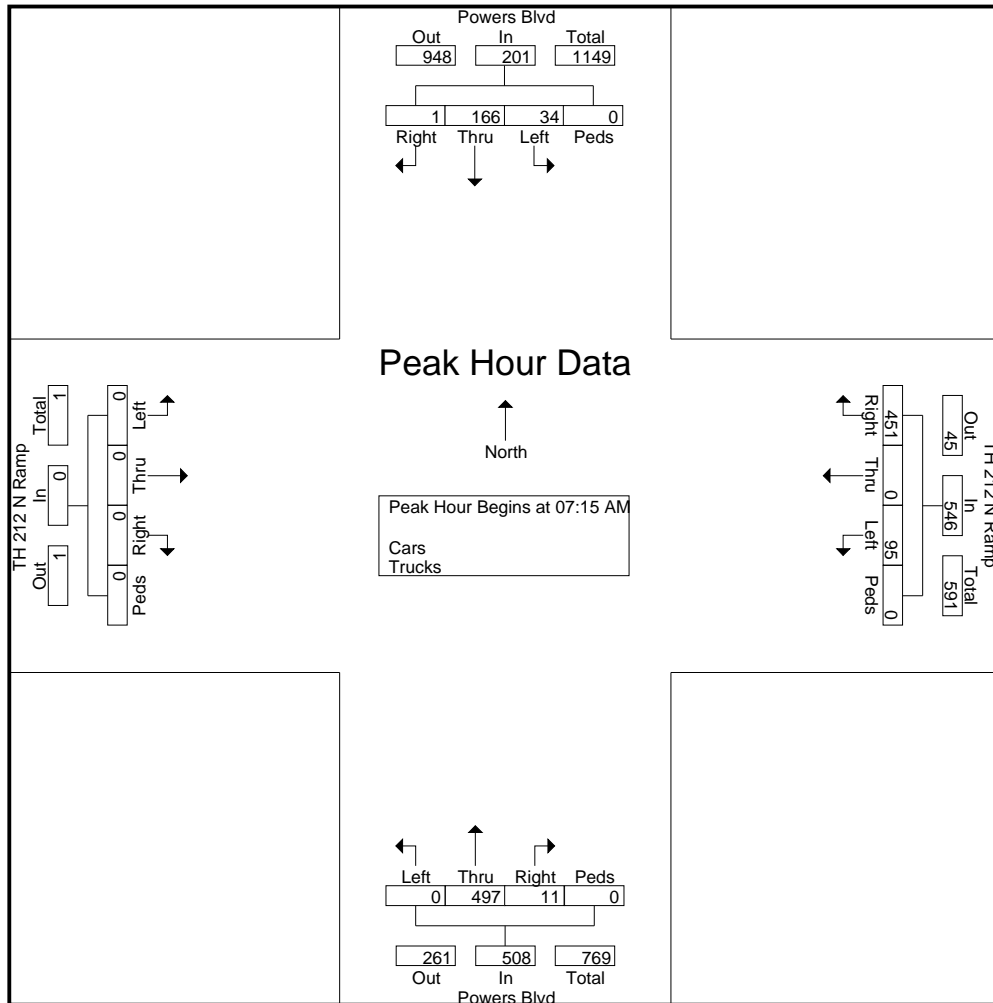
Alliant Engineering, Inc.

733 Marquette Ave #700, Minneapolis, MN 55402

Powers Blvd & TH 212 N Ramp
 Ref Pt: 152+00.266
 data by: Alliant Inc
 TURN MOVEMENT COUNT

File Name : 1736526_Powers & TH 212 N Ramp
 Site Code : 1736526
 Start Date : 3/6/2019
 Page No : 3

Start Time	Powers Blvd Southbound					TH 212 N Ramp Westbound					Powers Blvd Northbound					TH 212 N Ramp Eastbound					Int. Total
	Right	Thru	Left	Peds	App. Total	Right	Thru	Left	Peds	App. Total	Right	Thru	Left	Peds	App. Total	Right	Thru	Left	Peds	App. Total	
Peak Hour Analysis From 06:00 AM to 09:45 AM - Peak 1 of 1																					
Peak Hour for Entire Intersection Begins at 07:15 AM																					
07:15 AM	0	38	13	0	51	89	0	30	0	119	4	95	0	0	99	0	0	0	0	0	269
07:30 AM	1	38	3	0	42	95	0	25	0	120	5	144	0	0	149	0	0	0	0	0	311
07:45 AM	0	53	9	0	62	146	0	23	0	169	2	164	0	0	166	0	0	0	0	0	397
08:00 AM	0	37	9	0	46	121	0	17	0	138	0	94	0	0	94	0	0	0	0	0	278
Total Volume	1	166	34	0	201	451	0	95	0	546	11	497	0	0	508	0	0	0	0	0	1255
% App. Total	0.5	82.6	16.9	0		82.6	0	17.4	0		2.2	97.8	0	0		0	0	0	0		
PHF	.250	.783	.654	.000	.810	.772	.000	.792	.000	.808	.550	.758	.000	.000	.765	.000	.000	.000	.000	.000	.790



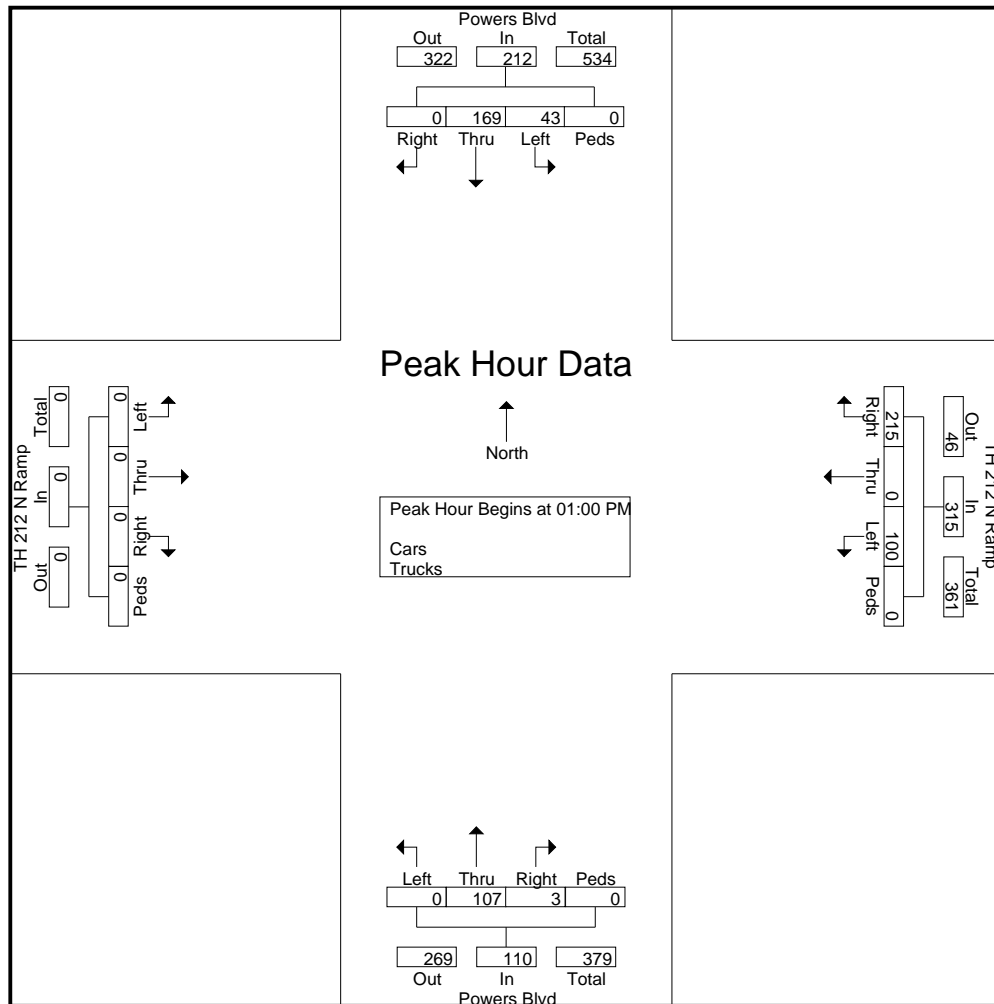
Alliant Engineering, Inc.

733 Marquette Ave #700, Minneapolis, MN 55402

Powers Blvd & TH 212 N Ramp
 Ref Pt: 152+00.266
 data by: Alliant Inc
 TURN MOVEMENT COUNT

File Name : 1736526_Powers & TH 212 N Ramp
 Site Code : 1736526
 Start Date : 3/6/2019
 Page No : 4

Start Time	Powers Blvd Southbound					TH 212 N Ramp Westbound					Powers Blvd Northbound					TH 212 N Ramp Eastbound					Int. Total	
	Right	Thru	Left	Peds	App. Total	Right	Thru	Left	Peds	App. Total	Right	Thru	Left	Peds	App. Total	Right	Thru	Left	Peds	App. Total		
Peak Hour Analysis From 10:00 AM to 01:45 PM - Peak 1 of 1																						
Peak Hour for Entire Intersection Begins at 01:00 PM																						
01:00 PM	0	36	7	0	43	40	0	19	0	59	0	33	0	0	33	0	0	0	0	0	0	135
01:15 PM	0	49	15	0	64	53	0	27	0	80	2	20	0	0	22	0	0	0	0	0	0	166
01:30 PM	0	39	9	0	48	55	0	24	0	79	0	30	0	0	30	0	0	0	0	0	0	157
01:45 PM	0	45	12	0	57	67	0	30	0	97	1	24	0	0	25	0	0	0	0	0	0	179
Total Volume	0	169	43	0	212	215	0	100	0	315	3	107	0	0	110	0	0	0	0	0	0	637
% App. Total	0	79.7	20.3	0		68.3	0	31.7	0		2.7	97.3	0	0		0	0	0	0	0		
PHF	.000	.862	.717	.000	.828	.802	.000	.833	.000	.812	.375	.811	.000	.000	.833	.000	.000	.000	.000	.000	.000	.890



Alliant Engineering, Inc.

733 Marquette Ave #700, Minneapolis, MN 55402

Powers Blvd & TH 212 N Ramp
 Ref Pt: 152+00.266
 data by: Alliant Inc
 TURN MOVEMENT COUNT

File Name : 1736526_Powers & TH 212 N Ramp
 Site Code : 1736526
 Start Date : 3/6/2019
 Page No : 5

Start Time	Powers Blvd Southbound					TH 212 N Ramp Westbound					Powers Blvd Northbound					TH 212 N Ramp Eastbound					Int. Total
	Right	Thru	Left	Peds	App. Total	Right	Thru	Left	Peds	App. Total	Right	Thru	Left	Peds	App. Total	Right	Thru	Left	Peds	App. Total	
Peak Hour Analysis From 02:00 PM to 05:45 PM - Peak 1 of 1																					
Peak Hour for Entire Intersection Begins at 04:30 PM																					
04:30 PM	0	112	51	0	163	54	0	87	0	141	6	48	0	0	54	0	0	0	0	0	358
04:45 PM	0	108	46	0	154	47	0	86	0	133	1	57	0	0	58	0	0	0	0	0	345
05:00 PM	0	140	54	0	194	53	0	90	0	143	2	61	0	0	63	0	0	0	0	0	400
05:15 PM	0	112	40	0	152	49	0	83	0	132	2	69	0	0	71	0	0	0	0	0	355
Total Volume	0	472	191	0	663	203	0	346	0	549	11	235	0	0	246	0	0	0	0	0	1458
% App. Total	0	71.2	28.8	0		37	0	63	0		4.5	95.5	0	0		0	0	0	0	0	
PHF	.000	.843	.884	.000	.854	.940	.000	.961	.000	.960	.458	.851	.000	.000	.866	.000	.000	.000	.000	.000	.911

