

Alliant Engineering

Minneapolis, MN 55415

--TRAFFIC DATA --

TH-169 at 197th Ave, ELK RIVER

Ref.Pt.:

Alliant Eng.

TURN MOVEMENT COUNT

File Name : 417_TH 169 & 197th Ave

Site Code : 417

Start Date : 3/3/2016

Page No : 1

Groups Printed- Vehicles - Trucks

Start Time	TH-169 Southbound				197th Ave Westbound				TH-169 Northbound				197th Ave Eastbound				Int. Total	
	Left	Thru	Rght	Other	Left	Thru	Rght	Other	Left	Thru	Rght	Other	Left	Thru	Rght	Other		
06:00	6	410	4	0	2	1	0	0	0	53	1	0	0	0	0	0	0	477
06:15	2	367	6	0	12	0	0	0	1	47	1	0	0	0	2	0	0	438
06:30	9	443	1	0	4	0	0	0	0	85	0	0	0	2	0	0	0	544
06:45	5	411	2	0	12	2	1	0	0	87	0	0	1	1	7	0	0	529
Total	22	1631	13	0	30	3	1	0	1	272	2	0	1	3	9	0	0	1988
07:00	12	403	5	0	14	3	0	0	0	104	3	0	3	0	5	0	0	552
07:15	10	444	2	0	14	4	0	0	2	134	5	0	3	1	3	0	0	622
07:30	13	445	5	0	13	4	0	0	0	140	5	0	3	1	4	0	0	633
07:45	21	486	10	0	4	3	0	0	1	129	3	0	5	3	3	0	0	668
Total	56	1778	22	0	45	14	0	0	3	507	16	0	14	5	15	0	0	2475
08:00	12	329	12	0	13	5	3	0	3	113	2	0	1	6	3	0	0	502
08:15	12	286	7	0	11	2	2	0	3	93	8	0	3	3	6	0	0	436
08:30	15	351	6	0	5	1	3	0	2	107	7	0	3	1	7	0	0	508
08:45	9	320	8	0	5	4	3	0	2	93	7	0	2	5	2	0	0	460
Total	48	1286	33	0	34	12	11	0	10	406	24	0	9	15	18	0	0	1906
09:00	16	279	13	0	13	2	1	0	2	106	6	0	1	4	1	0	0	444
09:15	8	170	8	0	5	5	6	1	2	112	10	0	2	4	1	0	0	334
*** BREAK ***																		
Total	24	449	21	0	18	7	7	1	4	218	16	0	3	8	2	0	0	778
*** BREAK ***																		
10:30	16	193	4	0	9	5	9	0	3	129	3	0	5	9	4	0	0	389
10:45	5	183	5	0	5	4	11	0	10	138	10	0	5	1	4	0	0	381
Total	21	376	9	0	14	9	20	0	13	267	13	0	10	10	8	0	0	770
11:00	5	169	13	0	2	1	12	0	3	126	8	0	4	7	7	0	0	357
11:15	16	170	8	0	6	9	19	0	10	150	13	0	5	8	5	0	0	419
11:30	15	149	8	0	7	10	15	0	2	129	13	0	4	7	7	0	0	366
11:45	12	177	6	0	6	5	13	0	9	136	6	0	13	6	5	0	0	394
Total	48	665	35	0	21	25	59	0	24	541	40	0	26	28	24	0	0	1536
12:00	16	142	9	0	6	4	13	0	6	157	12	0	5	3	2	0	0	375
12:15	7	170	4	0	8	4	21	0	7	158	10	0	5	14	3	0	0	411
12:30	14	176	6	0	5	4	30	0	8	184	15	0	7	5	5	1	0	460
12:45	13	148	5	0	5	6	19	0	3	180	5	0	7	7	7	0	0	405
Total	50	636	24	0	24	18	83	0	24	679	42	0	24	29	17	1	0	1651
13:00	13	152	10	0	8	13	18	0	8	159	8	0	8	9	4	0	0	410
13:15	5	167	14	0	8	6	25	0	6	214	13	0	7	8	4	0	0	477
*** BREAK ***																		
Total	18	319	24	0	16	19	43	0	14	373	21	0	15	17	8	0	0	887
*** BREAK ***																		
14:30	18	156	4	0	6	8	24	0	9	288	27	0	19	7	6	0	0	572
14:45	17	215	7	0	4	7	36	0	8	284	12	0	12	7	4	0	0	613
Total	35	371	11	0	10	15	60	0	17	572	39	0	31	14	10	0	0	1185
15:00	11	181	4	0	6	4	28	0	5	286	17	0	12	8	3	0	0	565
15:15	11	176	4	0	11	5	36	0	6	341	13	0	17	10	4	0	0	634
15:30	4	171	8	0	6	5	22	0	13	355	22	0	12	6	2	0	0	626
15:45	10	212	6	0	9	6	25	0	9	395	14	0	12	10	2	0	0	710
Total	36	740	22	0	32	20	111	0	33	1377	66	0	53	34	11	0	0	2535
16:00	22	194	7	0	5	5	40	0	12	443	16	0	15	6	6	0	0	771
16:15	12	170	6	0	3	6	48	0	11	440	31	0	22	6	4	0	0	759
16:30	25	180	4	0	9	9	40	0	13	454	13	0	23	8	0	0	0	778

Alliant Engineering

Minneapolis, MN 55415

--TRAFFIC DATA --

TH-169 at 197th Ave, ELK RIVER

Ref.Pt.:

Alliant Eng.

TURN MOVEMENT COUNT

File Name : 417_TH 169 & 197th Ave

Site Code : 417

Start Date : 3/3/2016

Page No : 2

Groups Printed- Vehicles - Trucks

Start Time	TH-169 Southbound				197th Ave Westbound				TH-169 Northbound				197th Ave Eastbound				Int. Total
	Left	Thru	Rght	Other	Left	Thru	Rght	Other	Left	Thru	Rght	Other	Left	Thru	Rght	Other	
16:45	10	205	15	0	7	9	53	0	18	431	14	0	21	5	4	1	793
Total	69	749	32	0	24	29	181	0	54	1768	74	0	81	25	14	1	3101
17:00	14	201	10	0	12	15	53	0	7	504	31	0	21	13	3	0	884
17:15	12	191	7	0	8	6	52	0	7	498	20	0	12	7	3	0	823
17:30	15	167	9	0	6	7	47	0	15	422	17	0	26	3	5	0	739
17:45	13	197	6	0	10	4	43	0	10	417	18	0	12	9	1	0	740
Total	54	756	32	0	36	32	195	0	39	1841	86	0	71	32	12	0	3186
Grand Total	481	9756	278	0	304	203	771	1	236	8821	439	0	338	220	148	2	21998
Apprch %	4.6	92.8	2.6	0	23.8	15.9	60.3	0.1	2.5	92.9	4.6	0	47.7	31.1	20.9	0.3	
Total %	2.2	44.3	1.3	0	1.4	0.9	3.5	0	1.1	40.1	2	0	1.5	1	0.7	0	
Vehicles	470	9304	274	0	296	193	761	1	231	8377	429	0	337	210	141	1	21025
% Vehicles	97.7	95.4	98.6	0	97.4	95.1	98.7	100	97.9	95	97.7	0	99.7	95.5	95.3	50	95.6
Trucks	11	452	4	0	8	10	10	0	5	444	10	0	1	10	7	1	973
% Trucks	2.3	4.6	1.4	0	2.6	4.9	1.3	0	2.1	5	2.3	0	0.3	4.5	4.7	50	4.4

Alliant Engineering

Minneapolis, MN 55415

--TRAFFIC DATA --

TH-169 at 197th Ave, ELK RIVER

Ref.Pt.:

Alliant Eng.

TURN MOVEMENT COUNT

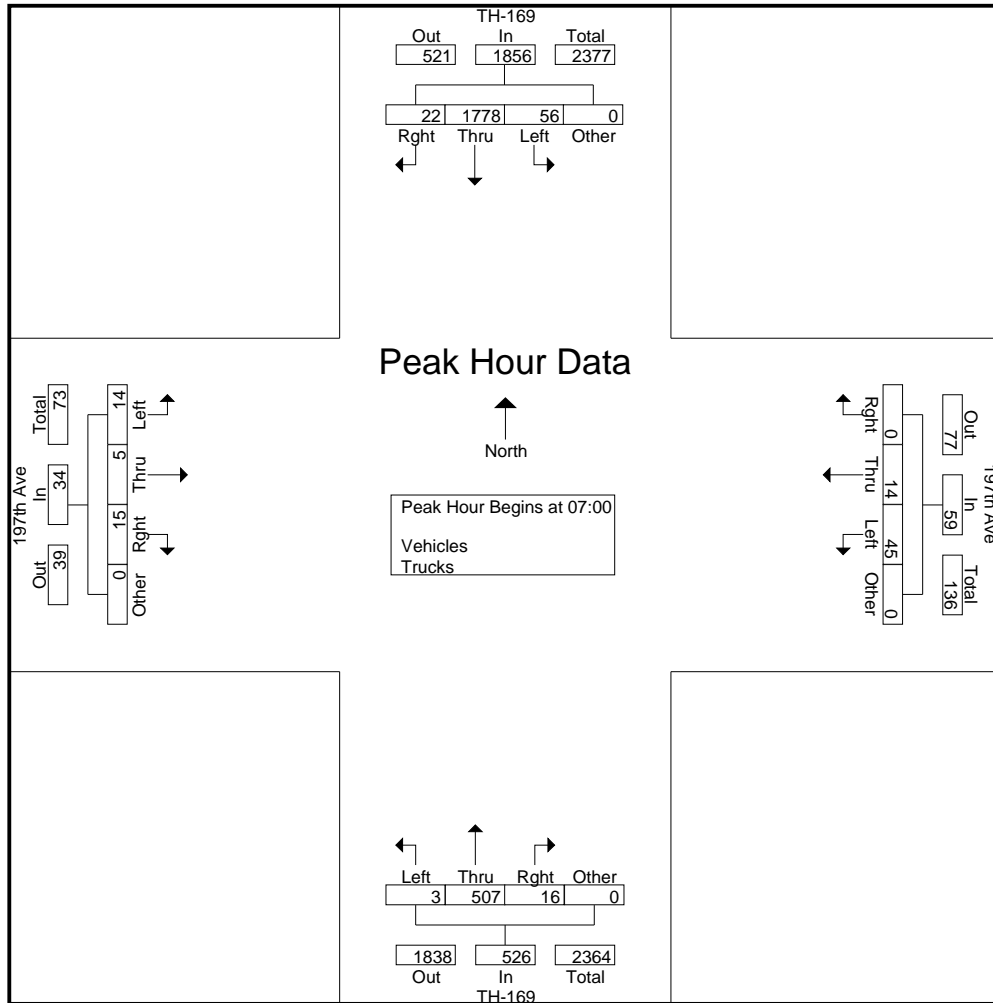
File Name : 417_TH 169 & 197th Ave

Site Code : 417

Start Date : 3/3/2016

Page No : 3

Start Time	TH-169 Southbound					197th Ave Westbound					TH-169 Northbound					197th Ave Eastbound					Int. Total
	Left	Thru	Rght	Other	App. Total	Left	Thru	Rght	Other	App. Total	Left	Thru	Rght	Other	App. Total	Left	Thru	Rght	Other	App. Total	
Peak Hour Analysis From 06:00 to 11:45 - Peak 1 of 1																					
Peak Hour for Entire Intersection Begins at 07:00																					
07:00	12	403	5	0	420	14	3	0	0	17	0	104	3	0	107	3	0	5	0	8	552
07:15	10	444	2	0	456	14	4	0	0	18	2	134	5	0	141	3	1	3	0	7	622
07:30	13	445	5	0	463	13	4	0	0	17	0	140	5	0	145	3	1	4	0	8	633
07:45	21	486	10	0	517	4	3	0	0	7	1	129	3	0	133	5	3	3	0	11	668
Total Volume	56	1778	22	0	1856	45	14	0	0	59	3	507	16	0	526	14	5	15	0	34	2475
% App. Total	3	95.8	1.2	0		76.3	23.7	0	0		0.6	96.4	3	0		41.2	14.7	44.1	0		
PHF	.667	.915	.550	.000	.897	.804	.875	.000	.000	.819	.375	.905	.800	.000	.907	.700	.417	.750	.000	.773	.926



Alliant Engineering

Minneapolis, MN 55415

--TRAFFIC DATA --

TH-169 at 197th Ave, ELK RIVER

Ref.Pt.:

Alliant Eng.

TURN MOVEMENT COUNT

File Name : 417_TH 169 & 197th Ave

Site Code : 417

Start Date : 3/3/2016

Page No : 4

Start Time	TH-169 Southbound					197th Ave Westbound					TH-169 Northbound					197th Ave Eastbound					Int. Total
	Left	Thru	Rght	Other	App. Total	Left	Thru	Rght	Other	App. Total	Left	Thru	Rght	Other	App. Total	Left	Thru	Rght	Other	App. Total	
Peak Hour Analysis From 12:00 to 17:45 - Peak 1 of 1																					
Peak Hour for Entire Intersection Begins at 16:30																					
16:30	25	180	4	0	209	9	9	40	0	58	13	454	13	0	480	23	8	0	0	31	778
16:45	10	205	15	0	230	7	9	53	0	69	18	431	14	0	463	21	5	4	1	31	793
17:00	14	201	10	0	225	12	15	53	0	80	7	504	31	0	542	21	13	3	0	37	884
17:15	12	191	7	0	210	8	6	52	0	66	7	498	20	0	525	12	7	3	0	22	823
Total Volume	61	777	36	0	874	36	39	198	0	273	45	1887	78	0	2010	77	33	10	1	121	3278
% App. Total	7	88.9	4.1	0		13.2	14.3	72.5	0		2.2	93.9	3.9	0		63.6	27.3	8.3	0.8		
PHF	.610	.948	.600	.000	.950	.750	.650	.934	.000	.853	.625	.936	.629	.000	.927	.837	.635	.625	.250	.818	.927

