

Alliant Engineering

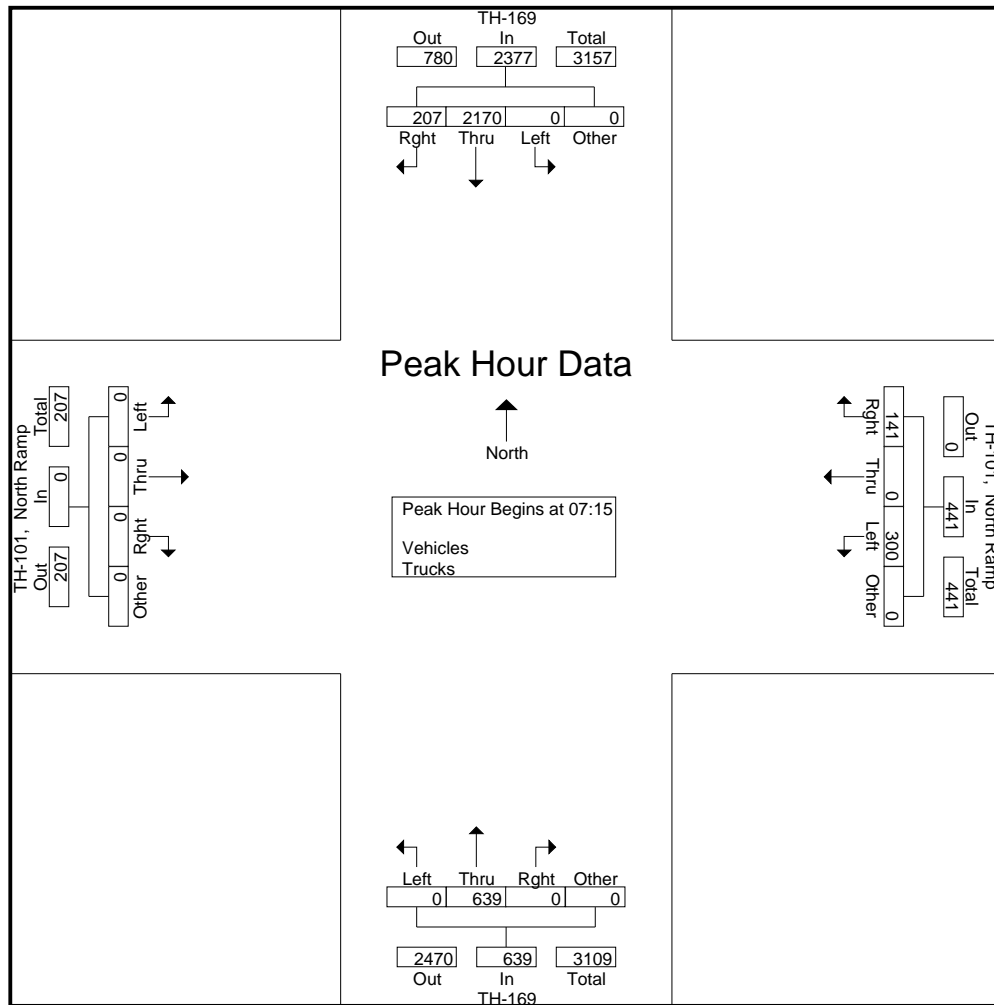
Minneapolis, MN 55415

--TRAFFIC DATA --

TH-169 at TH-101, North Ramps
 ELK RIVER, MN
 Alliant Eng.
 TURN MOVEMENT COUNT

File Name : 411_TH 169 & TH 101
 Site Code : 411
 Start Date : 3/8/2016
 Page No : 3

Start Time	TH-169 Southbound					TH-101, North Ramp Westbound					TH-169 Northbound					TH-101, North Ramp Eastbound					Int. Total
	Left	Thru	Right	Other	App. Total	Left	Thru	Right	Other	App. Total	Left	Thru	Right	Other	App. Total	Left	Thru	Right	Other	App. Total	
Peak Hour Analysis From 06:00 to 11:45 - Peak 1 of 1																					
Peak Hour for Entire Intersection Begins at 07:15																					
07:15	0	618	20	0	638	66	0	15	0	81	0	154	0	0	154	0	0	0	0	0	873
07:30	0	589	54	0	643	80	0	33	0	113	0	184	0	0	184	0	0	0	0	0	940
07:45	0	521	27	0	548	77	0	40	0	117	0	171	0	0	171	0	0	0	0	0	836
08:00	0	442	106	0	548	77	0	53	0	130	0	130	0	0	130	0	0	0	0	0	808
Total Volume	0	2170	207	0	2377	300	0	141	0	441	0	639	0	0	639	0	0	0	0	0	3457
% App. Total	0	91.3	8.7	0		68	0	32	0		0	100	0	0		0	0	0	0	0	
PHF	.000	.878	.488	.000	.924	.938	.000	.665	.000	.848	.000	.868	.000	.000	.868	.000	.000	.000	.000	.000	.919



Alliant Engineering

Minneapolis, MN 55415

--TRAFFIC DATA --

TH-169 at TH-101, North Ramps
ELK RIVER, MN
Alliant Eng.
TURN MOVEMENT COUNT

File Name : 411_TH 169 & TH 101
Site Code : 411
Start Date : 3/8/2016
Page No : 4

Start Time	TH-169 Southbound					TH-101, North Ramp Westbound					TH-169 Northbound					TH-101, North Ramp Eastbound					Int. Total
	Left	Thru	Right	Other	App. Total	Left	Thru	Right	Other	App. Total	Left	Thru	Right	Other	App. Total	Left	Thru	Right	Other	App. Total	
Peak Hour Analysis From 12:00 to 17:45 - Peak 1 of 1																					
Peak Hour for Entire Intersection Begins at 16:00																					
16:00	0	322	6	0	328	113	0	222	0	335	0	483	0	0	483	0	0	0	0	0	1146
16:15	0	311	29	0	340	116	0	207	0	323	0	486	0	0	486	0	0	0	0	0	1149
16:30	0	317	37	0	354	116	0	167	0	283	0	534	0	0	534	0	0	0	0	0	1171
16:45	0	294	9	0	303	167	0	133	0	300	0	585	0	0	585	0	0	0	0	0	1188
Total Volume	0	1244	81	0	1325	512	0	729	0	1241	0	2088	0	0	2088	0	0	0	0	0	4654
% App. Total	0	93.9	6.1	0		41.3	0	58.7	0		0	100	0	0		0	0	0	0		
PHF	.000	.966	.547	.000	.936	.766	.000	.821	.000	.926	.000	.892	.000	.000	.892	.000	.000	.000	.000	.000	.979

