

TRAFFIC DATA

US 169 & Pioneer Trl ER
 City: Eden Prairie
 Data by: Flow Labs
 Turning Movement Count

File Name: US 169 & Pioneer Trl ER 2024
 Dates: 9/3/2024 - 9/19/24, No Holidays, Average
 Day of Week: Tuesday, Wednesday, Thursday
 Page No.: 1

Start Time	US 169 NB On-Ramp Southbound				Pioneer Trl Westbound				US 169 NB Off-Ramp Northbound				Pioneer Trl Eastbound				Int. Total
	Left	Thru	Right	Peds	Left	Thru	Right	Peds	Left	Thru	Right	Peds	Left	Thru	Right	Peds	
0:00	0	0	0	0	0	6	1	0	3	0	3	0	4	3	0	0	20
0:15	0	0	0	0	0	1	1	0	3	0	2	0	4	3	0	0	14
0:30	0	0	0	0	0	1	1	0	3	0	1	0	1	1	0	0	8
0:45	0	0	0	0	0	3	1	0	6	0	0	0	1	3	0	0	14
Total	0	0	0	0	0	11	4	0	15	0	6	0	10	10	0	0	56
1:00	0	0	0	0	0	1	0	0	2	0	1	0	3	0	0	0	7
1:15	0	0	0	0	0	0	1	0	2	0	1	0	1	2	0	0	7
1:30	0	0	0	0	0	0	1	0	6	0	0	0	1	1	0	0	9
1:45	0	0	0	0	0	1	1	0	2	0	0	0	0	0	0	0	4
Total	0	0	0	0	0	2	3	0	12	0	2	0	5	3	0	0	27
2:00	0	0	0	0	0	1	0	0	1	0	0	0	0	0	0	0	2
2:15	0	0	0	0	0	0	1	0	2	0	0	0	0	0	0	0	3
2:30	0	0	0	0	0	0	0	0	2	0	1	0	1	1	0	0	5
2:45	0	0	0	0	0	2	1	0	2	0	1	0	0	0	0	0	6
Total	0	0	0	0	0	3	2	0	7	0	2	0	1	1	0	0	16
3:00	0	0	0	0	0	0	0	0	2	0	0	0	4	0	0	0	6
3:15	0	0	0	0	0	1	0	0	2	0	1	0	1	0	0	0	5
3:30	0	0	0	0	0	1	4	0	0	0	1	0	4	3	0	0	13
3:45	0	0	0	0	0	2	3	0	4	0	0	0	3	0	0	0	12
Total	0	0	0	0	0	4	7	0	8	0	2	0	12	3	0	0	36
4:00	0	0	0	0	0	1	1	0	3	0	0	0	3	0	0	0	8
4:15	0	0	0	0	0	0	0	0	6	1	1	0	4	0	0	0	12
4:30	0	0	0	0	0	1	2	0	7	0	0	0	3	2	0	0	15
4:45	0	0	0	0	0	4	3	0	4	0	1	0	8	2	0	0	22
Total	0	0	0	0	0	6	6	0	20	1	2	0	18	4	0	0	57

TRAFFIC DATA

US 169 & Pioneer Trl ER
 City: Eden Prairie
 Data by: Flow Labs
 Turning Movement Count

File Name: US 169 & Pioneer Trl ER 2024
 Dates: 9/3/2024 - 9/19/24, No Holidays, Average
 Day of Week: Tuesday, Wednesday, Thursday
 Page No.: 2

Start Time	US 169 NB On-Ramp Southbound				Pioneer Trl Westbound				US 169 NB Off-Ramp Northbound				Pioneer Trl Eastbound				Int. Total
	Left	Thru	Right	Peds	Left	Thru	Right	Peds	Left	Thru	Right	Peds	Left	Thru	Right	Peds	
5:00	0	0	0	0	0	4	4	0	4	0	1	0	12	1	0	0	26
5:15	0	0	0	0	0	2	2	0	12	0	0	0	11	2	0	0	29
5:30	0	0	0	0	0	6	6	0	21	1	1	0	18	1	0	0	54
5:45	0	0	0	0	0	8	5	0	20	1	1	0	13	5	0	0	53
Total	0	0	0	0	0	20	17	0	57	2	3	0	54	9	0	0	162
6:00	0	0	0	0	0	11	1	0	25	1	1	0	17	2	0	0	58
6:15	0	0	0	0	0	13	11	0	32	0	1	1	51	9	0	0	118
6:30	0	0	0	0	0	16	20	0	58	0	3	0	49	6	0	0	152
6:45	0	0	0	0	0	23	24	0	74	1	11	0	54	28	0	0	215
Total	0	0	0	0	0	63	56	0	189	2	16	1	171	45	0	0	543
7:00	0	0	0	0	0	43	14	0	67	1	19	0	64	33	0	0	241
7:15	0	0	0	0	0	44	14	0	87	1	13	0	59	36	0	0	254
7:30	0	0	0	0	0	49	26	0	94	0	14	0	34	55	0	0	272
7:45	0	0	0	0	0	46	14	0	124	2	23	0	57	60	0	0	326
Total	0	0	0	0	0	182	68	0	372	4	69	0	214	184	0	0	1093
8:00	0	0	0	0	0	34	19	0	99	0	14	0	55	69	0	0	290
8:15	0	0	0	0	0	29	14	0	88	2	15	0	36	44	0	0	228
8:30	0	0	0	0	0	27	21	0	120	1	9	0	39	51	0	0	268
8:45	0	0	0	0	0	34	18	0	99	2	12	0	39	37	0	0	241
Total	0	0	0	0	0	124	72	0	406	5	50	0	169	201	0	0	1027
9:00	0	0	0	0	0	31	17	0	78	2	11	0	34	32	0	0	205
9:15	0	0	0	0	0	26	12	0	68	5	16	0	41	28	0	0	196
9:30	0	0	0	0	0	25	17	0	76	5	18	0	43	26	0	0	210
9:45	0	0	0	0	0	25	17	0	58	6	11	0	34	23	0	0	174
Total	0	0	0	0	0	107	63	0	280	18	56	0	152	109	0	0	785

TRAFFIC DATA

US 169 & Pioneer Trl ER
 City: Eden Prairie
 Data by: Flow Labs
 Turning Movement Count

File Name: US 169 & Pioneer Trl ER 2024
 Dates: 9/3/2024 - 9/19/24, No Holidays, Average
 Day of Week: Tuesday, Wednesday, Thursday
 Page No.: 3

Start Time	US 169 NB On-Ramp Southbound				Pioneer Trl Westbound				US 169 NB Off-Ramp Northbound				Pioneer Trl Eastbound				Int. Total
	Left	Thru	Right	Peds	Left	Thru	Right	Peds	Left	Thru	Right	Peds	Left	Thru	Right	Peds	
10:00	0	0	0	0	0	23	20	0	44	5	6	0	42	27	0	0	167
10:15	0	0	0	1	0	23	15	0	42	6	7	0	40	20	0	0	154
10:30	0	0	0	0	0	23	17	0	51	6	7	0	42	19	0	0	165
10:45	0	0	0	0	0	18	15	0	42	4	8	0	41	16	0	0	144
Total	0	0	0	1	0	87	67	0	179	21	28	0	165	82	0	0	630
11:00	0	0	0	0	0	19	10	0	37	1	4	1	46	29	0	0	147
11:15	0	0	0	1	0	28	12	0	45	1	5	0	37	26	0	0	155
11:30	0	0	0	0	0	35	18	0	59	1	6	0	30	39	0	0	188
11:45	0	0	0	0	0	24	18	0	66	1	6	0	35	30	0	0	180
Total	0	0	0	1	0	106	58	0	207	4	21	1	148	124	0	0	670
12:00	0	0	0	0	0	32	14	0	56	1	6	0	43	34	0	0	186
12:15	0	0	0	0	0	39	7	0	48	0	7	0	40	32	0	0	173
12:30	0	0	0	1	0	24	18	0	55	2	7	0	45	35	0	0	187
12:45	0	0	0	0	0	37	17	0	73	0	9	0	49	30	0	0	215
Total	0	0	0	1	0	132	56	0	232	3	29	0	177	131	0	0	761
13:00	0	0	0	0	0	30	11	0	43	1	7	0	39	29	0	0	160
13:15	0	0	0	0	0	21	16	0	50	0	10	1	35	23	0	0	156
13:30	0	0	0	0	0	34	8	0	33	1	8	0	34	26	0	0	144
13:45	0	0	0	0	0	25	6	0	65	1	7	0	30	31	0	0	165
Total	0	0	0	0	0	110	41	0	191	3	32	1	138	109	0	0	625
14:00	0	0	0	0	0	29	11	0	54	1	6	0	45	39	0	0	185
14:15	0	0	0	0	0	38	16	0	60	1	14	0	40	35	0	0	204
14:30	0	0	0	1	0	27	12	0	62	2	12	0	43	31	0	0	190
14:45	0	0	0	1	0	35	11	0	68	0	13	0	38	37	0	0	203
Total	0	0	0	2	0	129	50	0	244	4	45	0	166	142	0	0	782

TRAFFIC DATA

US 169 & Pioneer Trl ER
 City: Eden Prairie
 Data by: Flow Labs
 Turning Movement Count

File Name: US 169 & Pioneer Trl ER 2024
 Dates: 9/3/2024 - 9/19/24, No Holidays, Average
 Day of Week: Tuesday, Wednesday, Thursday
 Page No.: 4

Start Time	US 169 NB On-Ramp Southbound				Pioneer Trl Westbound				US 169 NB Off-Ramp Northbound				Pioneer Trl Eastbound				Int. Total
	Left	Thru	Right	Peds	Left	Thru	Right	Peds	Left	Thru	Right	Peds	Left	Thru	Right	Peds	
15:00	0	0	0	1	0	48	14	0	60	1	16	0	44	35	0	0	219
15:15	0	0	0	0	0	44	11	0	77	2	12	0	38	36	0	0	220
15:30	0	0	0	0	0	49	8	0	80	1	17	0	37	47	0	0	239
15:45	0	0	0	0	0	54	11	0	89	1	16	0	28	44	0	0	243
Total	0	0	0	1	0	195	44	0	306	5	61	0	147	162	0	0	921
16:00	0	0	0	0	0	73	9	0	71	1	17	0	41	43	0	0	255
16:15	0	0	0	0	0	87	5	0	97	2	16	0	48	57	0	0	312
16:30	0	0	0	0	0	91	12	0	85	1	20	1	49	61	0	0	320
16:45	0	0	0	0	0	81	13	0	93	2	20	0	42	55	0	0	306
Total	0	0	0	0	0	332	39	0	346	6	73	1	180	216	0	0	1193
17:00	0	0	0	0	0	92	8	0	92	2	16	0	47	55	0	0	312
17:15	0	0	0	2	0	96	17	0	112	3	17	0	44	60	0	0	351
17:30	0	0	0	2	0	72	22	0	90	1	24	0	43	55	0	0	309
17:45	0	0	0	0	0	50	23	0	86	1	22	1	50	53	0	0	286
Total	0	0	0	4	0	310	70	0	380	7	79	1	184	223	0	0	1258
18:00	0	0	0	0	0	45	16	0	91	2	13	1	49	41	0	0	258
18:15	0	0	0	0	0	37	18	0	85	2	15	0	43	47	0	0	247
18:30	0	0	0	0	0	36	22	0	60	0	16	0	36	48	0	0	218
18:45	0	0	0	0	0	27	18	0	54	1	14	1	35	33	0	0	183
Total	0	0	0	0	0	145	74	0	290	5	58	2	163	169	0	0	906
19:00	0	0	0	0	0	23	16	0	55	0	14	0	29	28	0	0	165
19:15	0	0	0	0	0	16	17	0	36	0	7	0	32	28	0	0	136
19:30	0	0	0	0	0	17	10	0	39	0	8	0	28	32	0	0	134
19:45	0	0	0	0	0	23	8	0	40	1	9	0	27	34	0	0	142
Total	0	0	0	0	0	79	51	0	170	1	38	0	116	122	0	0	577

TRAFFIC DATA

US 169 & Pioneer Trl ER
 City: Eden Prairie
 Data by: Flow Labs
 Turning Movement Count

File Name: US 169 & Pioneer Trl ER 2024
 Dates: 9/3/2024 - 9/19/24, No Holidays, Average
 Day of Week: Tuesday, Wednesday, Thursday
 Page No.: 5

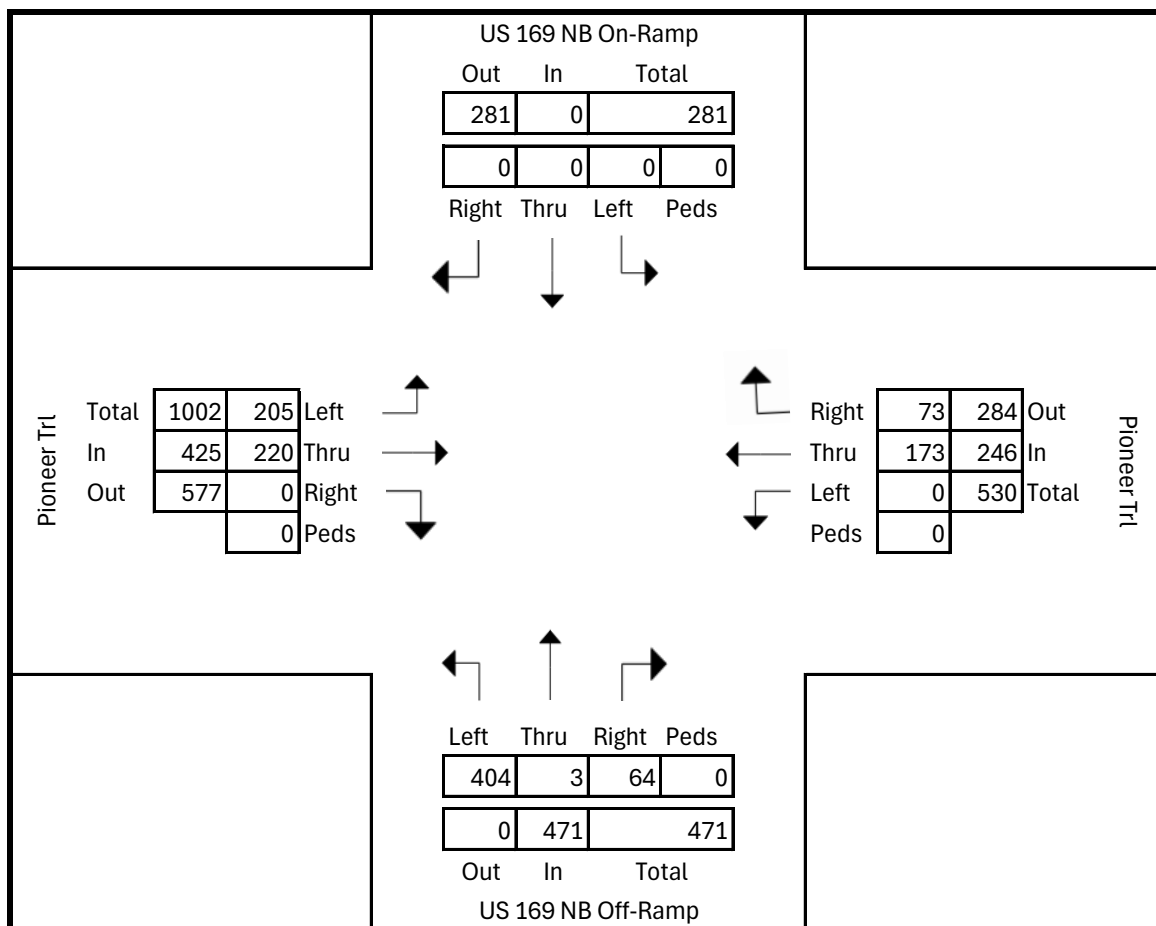
Start Time	US 169 NB On-Ramp Southbound				Pioneer Trl Westbound				US 169 NB Off-Ramp Northbound				Pioneer Trl Eastbound				Int. Total
	Left	Thru	Right	Peds	Left	Thru	Right	Peds	Left	Thru	Right	Peds	Left	Thru	Right	Peds	
20:00	0	0	0	0	0	20	9	0	35	1	9	0	21	30	0	0	125
20:15	0	0	0	0	0	15	7	0	30	1	7	1	15	36	0	0	112
20:30	0	0	0	1	0	16	8	0	38	0	8	0	13	22	0	0	106
20:45	0	0	0	0	0	14	6	0	29	0	8	0	18	25	0	0	100
Total	0	0	0	1	0	65	30	0	132	2	32	1	67	113	0	0	443
21:00	0	0	0	0	0	12	6	0	34	2	6	0	17	24	0	0	101
21:15	0	0	0	0	0	10	7	0	25	0	8	0	8	27	0	0	85
21:30	0	0	0	0	0	13	4	0	25	0	3	0	12	13	0	0	70
21:45	0	0	0	0	0	6	3	0	25	0	4	0	12	13	0	0	63
Total	0	0	0	0	0	41	20	0	109	2	21	0	49	77	0	0	319
22:00	0	0	0	0	0	7	4	0	20	1	8	0	10	7	0	0	57
22:15	0	0	0	0	0	8	2	0	11	1	6	0	9	14	0	0	51
22:30	0	0	0	0	0	4	4	0	13	0	3	0	9	11	0	0	44
22:45	0	0	0	0	0	3	3	0	9	0	4	0	7	6	0	0	32
Total	0	0	0	0	0	22	13	0	53	2	21	0	35	38	0	0	184
23:00	0	0	0	0	0	7	3	0	8	0	4	0	6	13	0	0	41
23:15	0	0	0	0	0	6	0	0	8	1	2	0	6	5	0	0	28
23:30	0	0	0	0	0	3	2	0	8	0	1	0	5	6	0	0	25
23:45	0	0	0	0	0	3	1	0	6	1	2	0	3	6	0	0	22
Total	0	0	0	0	0	19	6	0	30	2	9	0	20	30	0	0	116
Grand Total	0	0	0	11	0	2294	917	0	4235	99	755	8	2561	2307	0	0	13187
Apprch %	-	-	-	-	0	71.4	28.6	0	83.1	1.94	14.8	0.16	52.6	47.4	0	0	
Total %	0	0	0	0	0	0.17	0.07	0	0.32	0.01	0.06	0	0.19	0.17	0	0	

TRAFFIC DATA

US 169 & Pioneer Trl ER
City: Eden Prairie
Data by: Flow Labs
Turning Movement Count

File Name: US 169 & Pioneer Trl ER 2024
Dates: 9/3/2024 - 9/19/24, No Holidays, Average
Day of Week: Tuesday, Wednesday, Thursday
Page No.: 6

AM PEAK	US 169 NB On-Ramp Southbound				Pioneer Trl Westbound				US 169 NB Off-Ramp Northbound				Pioneer Trl Eastbound				Int. Total
	Left	Thru	Right	Peds	Left	Thru	Right	Peds	Left	Thru	Right	Peds	Left	Thru	Right	Peds	
7:15	0	0	0	0	0	44	14	0	87	1	13	0	59	36	0	0	254
7:30	0	0	0	0	0	49	26	0	94	0	14	0	34	55	0	0	272
7:45	0	0	0	0	0	46	14	0	124	2	23	0	57	60	0	0	326
8:00	0	0	0	0	0	34	19	0	99	0	14	0	55	69	0	0	290
Total Volume	0	0	0	0	0	173	73	0	404	3	64	0	205	220	0	0	1142
% App. Total	-	-	-	-	0	70.3	29.7	0	85.8	0.64	13.6	0	48.2	51.8	0	0	
PHF	-	-	-	-	-	0.88	0.7	0	0.81	0.38	0.7	0	0.87	0.8	-	0	0.88
App. PHF		-				0.82				0.79				0.86			

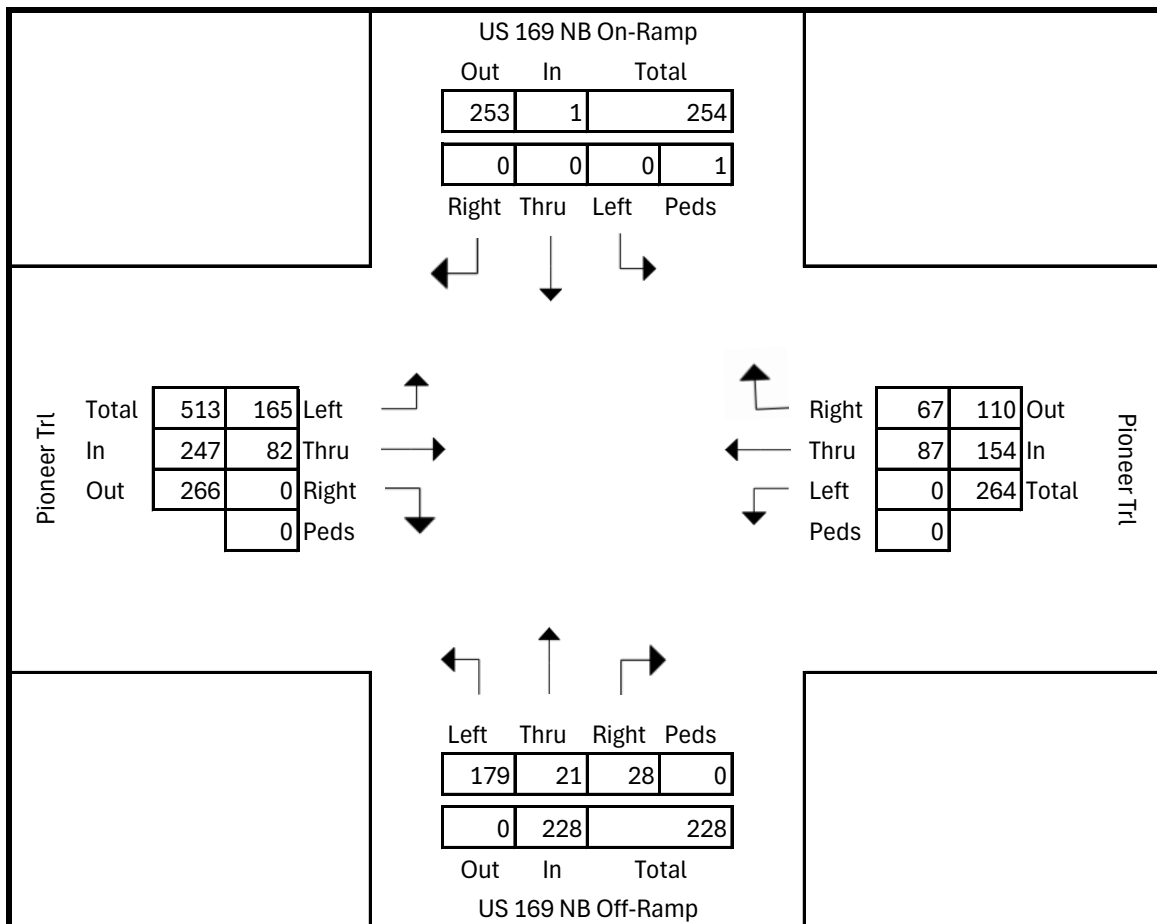


TRAFFIC DATA

US 169 & Pioneer Trl ER
City: Eden Prairie
Data by: Flow Labs
Turning Movement Count

File Name: US 169 & Pioneer Trl ER 2024
Dates: 9/3/2024 - 9/19/24, No Holidays, Average
Day of Week: Tuesday, Wednesday, Thursday
Page No.: 7

MID PEAK	US 169 NB On-Ramp Southbound				Pioneer Trl Westbound				US 169 NB Off-Ramp Northbound				Pioneer Trl Eastbound				Int. Total
	Left	Thru	Right	Peds	Left	Thru	Right	Peds	Left	Thru	Right	Peds	Left	Thru	Right	Peds	
10:00	0	0	0	0	0	23	20	0	44	5	6	0	42	27	0	0	167
10:15	0	0	0	1	0	23	15	0	42	6	7	0	40	20	0	0	154
10:30	0	0	0	0	0	23	17	0	51	6	7	0	42	19	0	0	165
10:45	0	0	0	0	0	18	15	0	42	4	8	0	41	16	0	0	144
Total Volume	0	0	0	1	0	87	67	0	179	21	28	0	165	82	0	0	630
% App. Total	-	-	-	-	0	56.5	43.5	0	78.5	9.21	12.3	0	66.8	33.2	0	0	
PHF	-	-	-	-	-	0.95	0.84	0	0.88	0.88	0.88	0	0.98	0.76	-	0	0.94
App. PHF	-				0.90				0.89				0.89				

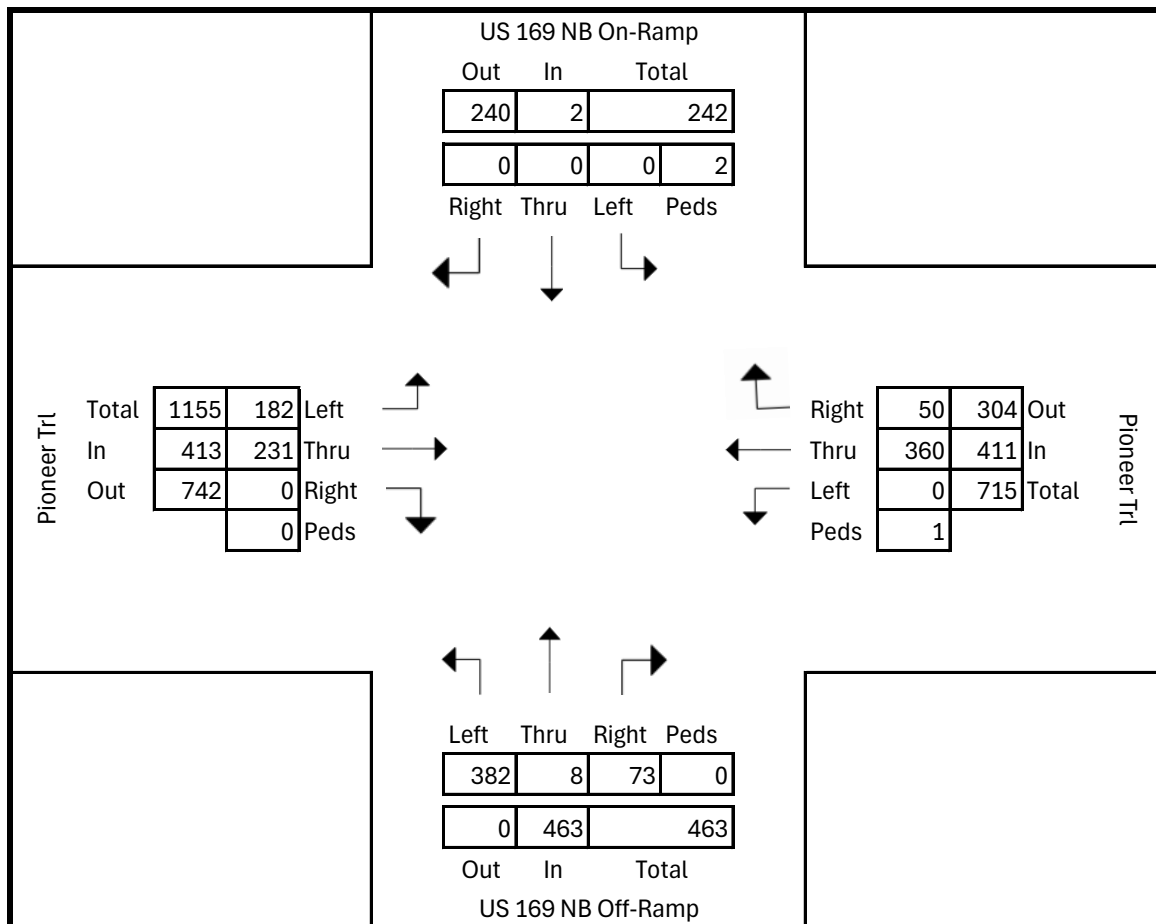


TRAFFIC DATA

US 169 & Pioneer Trl ER
City: Eden Prairie
Data by: Flow Labs
Turning Movement Count

File Name: US 169 & Pioneer Trl ER 2024
Dates: 9/3/2024 - 9/19/24, No Holidays, Average
Day of Week: Tuesday, Wednesday, Thursday
Page No.: 8

PM PEAK	US 169 NB On-Ramp Southbound				Pioneer Trl Westbound				US 169 NB Off-Ramp Northbound				Pioneer Trl Eastbound				Int. Total
	Left	Thru	Right	Peds	Left	Thru	Right	Peds	Left	Thru	Right	Peds	Left	Thru	Right	Peds	
16:30	0	0	0	0	0	91	12	1	85	1	20	0	49	61	0	0	320
16:45	0	0	0	0	0	81	13	0	93	2	20	0	42	55	0	0	306
17:00	0	0	0	0	0	92	8	0	92	2	16	0	47	55	0	0	312
17:15	0	0	0	2	0	96	17	0	112	3	17	0	44	60	0	0	351
Total Volume	0	0	0	2	0	360	50	1	382	8	73	0	182	231	0	0	1289
% App. Total	-	-	-	-	0	87.6	12.2	0.24	82.5	1.73	15.8	0	44.1	55.9	0	0	
PHF	-	-	-	-	-	0.94	0.74	0.25	0.85	0.67	0.91	0	0.93	0.95	-	0	0.92
App. PHF	-				0.91				0.88				0.94				



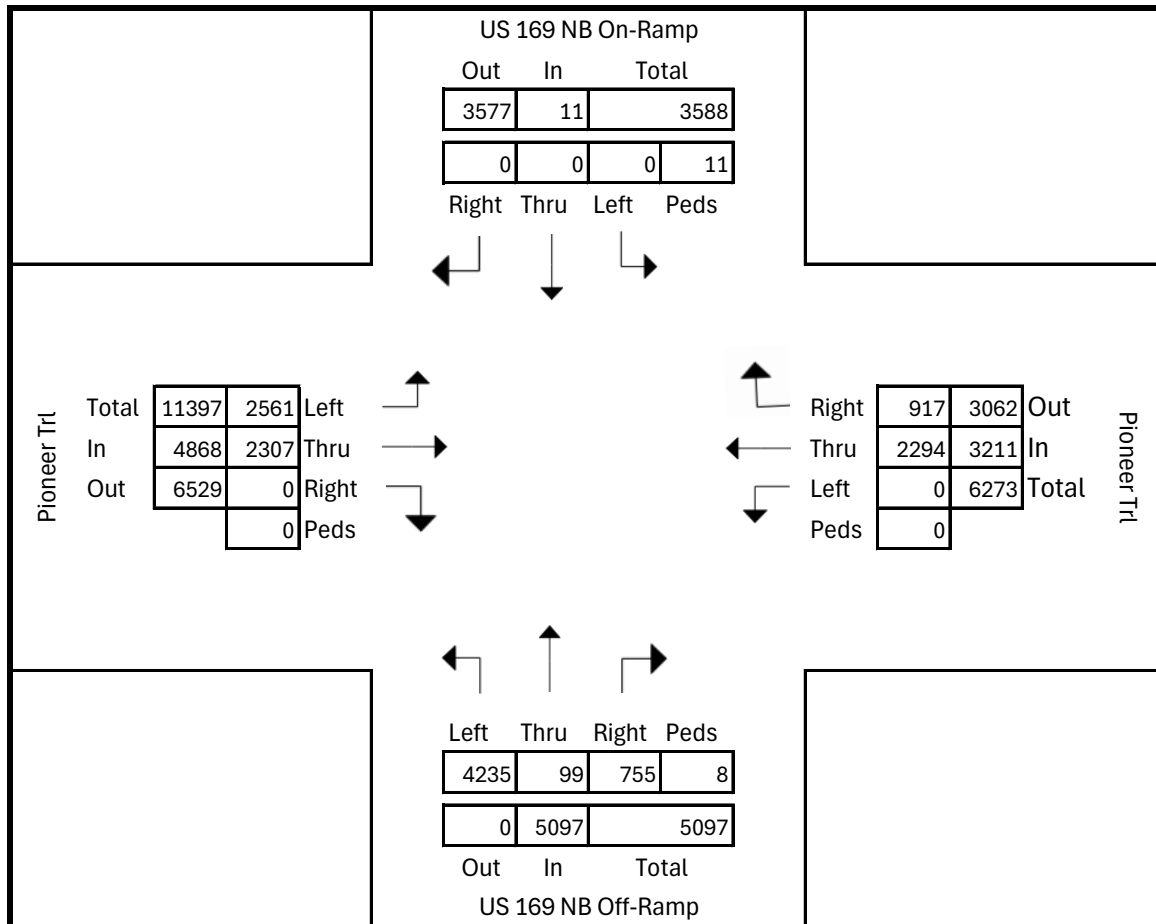
Mead & Hunt, Inc.
Bloomington, MN 55425

TRAFFIC DATA

US 169 & Pioneer Trl ER
City: Eden Prairie
Data by: Flow Labs
Turning Movement Count

File Name: US 169 & Pioneer Trl ER 2024
Dates: 9/3/2024 - 9/19/24, No Holidays, Average
Day of Week: Tuesday, Wednesday, Thursday
Page No.: 9

24 HOUR	US 169 NB On-Ramp Southbound				Pioneer Trl Westbound				US 169 NB Off-Ramp Northbound				Pioneer Trl Eastbound				Int. Total
	Left	Thru	Right	Peds	Left	Thru	Right	Peds	Left	Thru	Right	Peds	Left	Thru	Right	Peds	
Total Volume	0	0	0	11	0	2294	917	0	4235	99	755	8	2561	2307	0	0	13187
% App. Total	-	-	-	-	0	71.4	28.6	0	83.1	1.94	14.8	0.16	52.6	47.4	0	0	



Mead & Hunt, Inc.
Bloomington, MN 55425

TRAFFIC DATA

US 169 & Pioneer Trl ER
City: Eden Prairie
Data by: Flow Labs
Turning Movement Count

File Name: US 169 & Pioneer Trl ER 2024
Dates: 9/3/2024 - 9/19/24, No Holidays, Average
Day of Week: Tuesday, Wednesday, Thursday
Page No.: 10

Intersection Volume By Time Of Day

