



MINNESOTA DEPT OF TRANSPORTATION

TRAFFIC DATA COLLECTION - METRO

TH-169 at TH-41 / CSAH-78

Ref.Pt.: 106.452

Video JI

TURN MOVEMENT COUNT

File Name : TH-169 at TH-41 2013

Site Code : 169-41pm

Start Date : 9/5/2013

Page No : 1

Groups Printed- Cars +

Start Time	TH-169 Southbound				CSAH-78 / 130th St W Westbound				TH-169 Northbound				TH-41 / Chestnut Blvd Eastbound				Int. Total
	Right	Thru	Left	Peds	Right	Thru	Left	Peds	Right	Thru	Left	Peds	Right	Thru	Left	Peds	
06:00	36	72	3	0	13	18	6	0	7	155	22	0	10	24	46	0	412
06:15	50	88	1	0	18	29	4	0	14	236	19	0	23	19	55	0	556
06:30	44	91	4	0	11	36	9	0	12	238	44	0	34	26	82	0	631
06:45	41	123	4	0	15	56	6	0	15	252	46	0	29	45	86	0	718
Total	171	374	12	0	57	139	25	0	48	881	131	0	96	114	269	0	2317
07:00	50	140	5	0	12	57	2	0	15	257	45	0	25	40	84	0	732
07:15	58	121	3	0	12	65	9	0	29	259	48	0	42	34	88	0	768
07:30	37	126	4	0	16	78	3	0	21	288	57	0	31	47	123	0	831
07:45	67	107	2	0	14	71	11	0	19	256	54	0	37	41	115	0	794
Total	212	494	14	0	54	271	25	0	84	1060	204	0	135	162	410	0	3125
08:00	63	120	2	0	16	48	2	0	22	206	29	0	41	32	90	0	671
08:15	56	111	2	0	16	44	4	0	12	229	40	0	15	27	72	0	628
08:30	35	98	2	0	6	43	12	0	13	171	33	0	30	25	49	0	517
08:45	48	133	5	0	12	30	5	0	16	196	32	0	26	14	67	0	584
Total	202	462	11	0	50	165	23	0	63	802	134	0	112	98	278	0	2400
***** BREAK *****																	
15:00	61	211	2	0	8	35	5	0	16	139	21	0	30	41	72	0	641
15:15	72	233	12	0	10	32	11	0	15	166	37	0	38	41	71	0	738
15:30	71	253	5	0	17	33	13	0	13	172	26	0	47	42	70	0	762
15:45	65	259	11	0	9	35	9	0	12	151	30	0	48	41	82	0	752
Total	269	956	30	0	44	135	38	0	56	628	114	0	163	165	295	0	2893
16:00	61	253	3	0	13	34	13	0	7	140	20	0	45	50	90	0	729
16:15	77	300	6	0	10	30	6	0	17	166	29	0	47	50	55	0	793
16:30	75	242	8	0	22	41	22	0	21	152	32	0	51	55	93	0	814
16:45	73	237	3	0	7	35	12	0	15	155	30	0	44	69	105	0	785
Total	286	1032	20	0	52	140	53	0	60	613	111	0	187	224	343	0	3121
17:00	76	236	6	0	10	61	15	0	13	144	25	0	58	58	96	0	798
17:15	68	270	7	0	15	44	16	0	12	178	44	0	36	49	89	0	828
17:30	87	234	2	0	14	42	6	0	8	151	22	0	59	58	89	0	772
17:45	72	230	5	0	10	38	8	0	9	140	34	0	45	45	90	0	726
Total	303	970	20	0	49	185	45	0	42	613	125	0	198	210	364	0	3124
Grand Total	1443	4288	107	0	306	1035	209	0	353	4597	819	0	891	973	1959	0	16980
Apprch %	24.7	73.4	1.8	0	19.7	66.8	13.5	0	6.1	79.7	14.2	0	23.3	25.5	51.2	0	
Total %	8.5	25.3	0.6	0	1.8	6.1	1.2	0	2.1	27.1	4.8	0	5.2	5.7	11.5	0	



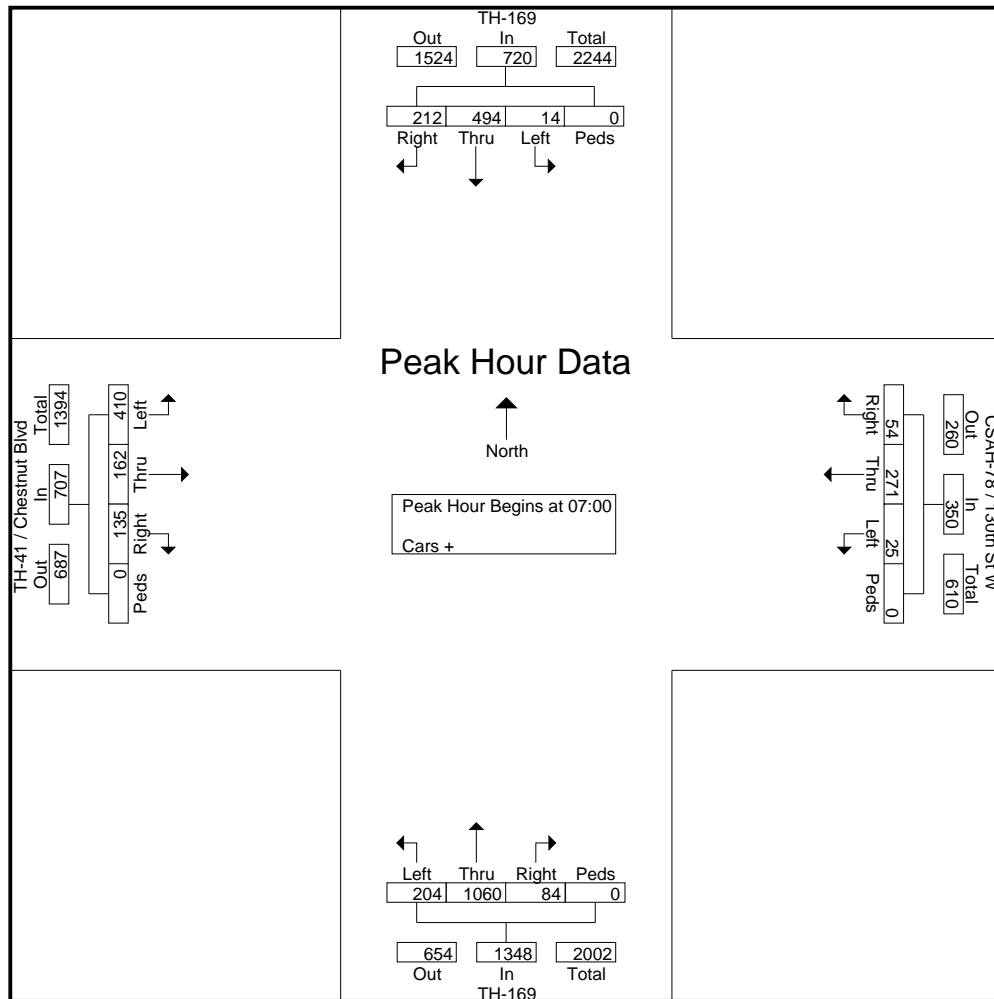
MINNESOTA DEPT OF TRANSPORTATION

TRAFFIC DATA COLLECTION - METRO

TH-169 at TH-41 / CSAH-78
 Ref.Pt.: 106.452
 Video JI
 TURN MOVEMENT COUNT

File Name : TH-169 at TH-41 2013
 Site Code : 169-41pm
 Start Date : 9/5/2013
 Page No : 2

Start Time	TH-169 Southbound					CSAH-78 / 130th St W Westbound					TH-169 Northbound					TH-41 / Chestnut Blvd Eastbound					Int. Total
	Right	Thru	Left	Peds	App. Total	Right	Thru	Left	Peds	App. Total	Right	Thru	Left	Peds	App. Total	Right	Thru	Left	Peds	App. Total	
Peak Hour Analysis From 06:00 to 08:45 - Peak 1 of 1																					
Peak Hour for Entire Intersection Begins at 07:00																					
07:00	50	140	5	0	195	12	57	2	0	71	15	257	45	0	317	25	40	84	0	149	732
07:15	58	121	3	0	182	12	65	9	0	86	29	259	48	0	336	42	34	88	0	164	768
07:30	37	126	4	0	167	16	78	3	0	97	21	288	57	0	366	31	47	123	0	201	831
07:45	67	107	2	0	176	14	71	11	0	96	19	256	54	0	329	37	41	115	0	193	794
Total Volume	212	494	14	0	720	54	271	25	0	350	84	1060	204	0	1348	135	162	410	0	707	3125
% App. Total	29.4	68.6	1.9	0		15.4	77.4	7.1	0		6.2	78.6	15.1	0		19.1	22.9	58	0		
PHF	.791	.882	.700	.000	.923	.844	.869	.568	.000	.902	.724	.920	.895	.000	.921	.804	.862	.833	.000	.879	.940





MINNESOTA DEPT OF TRANSPORTATION

TRAFFIC DATA COLLECTION - METRO

TH-169 at TH-41 / CSAH-78
 Ref.Pt.: 106.452
 Video JI
 TURN MOVEMENT COUNT

File Name : TH-169 at TH-41 2013
 Site Code : 169-41pm
 Start Date : 9/5/2013
 Page No : 3

Start Time	TH-169 Southbound					CSAH-78 / 130th St W Westbound					TH-169 Northbound					TH-41 / Chestnut Blvd Eastbound					Int. Total
	Rig ht	Thr u	Left	Ped s	App. Total	Rig ht	Thr u	Left	Ped s	App. Total	Right	Thr u	Left	Peds	App. Total	Right	Thr u	Left	Peds	App. Total	
Peak Hour Analysis From 15:00 to 17:45 - Peak 1 of 1																					
Peak Hour for Entire Intersection Begins at 16:30																					
16:30	75	242	8	0	325	22	41	22	0	85	21	152	32	0	205	51	55	93	0	199	814
16:45	73	237	3	0	313	7	35	12	0	54	15	155	30	0	200	44	69	105	0	218	785
17:00	76	236	6	0	318	10	61	15	0	86	13	144	25	0	182	58	58	96	0	212	798
17:15	68	270	7	0	345	15	44	16	0	75	12	178	44	0	234	36	49	89	0	174	828
Total Volume	292	985	24	0	1301	54	181	65	0	300	61	629	131	0	821	189	231	383	0	803	3225
% App. Total	22.4	75.7	1.8	0		18	60.3	21.7	0		7.4	76.6	16	0		23.5	28.8	47.7	0		
PHF	.961	.912	.750	.000	.943	.614	.742	.739	.000	.872	.726	.883	.744	.000	.877	.815	.837	.912	.000	.921	.974

