

Associated Consulting Services (ACS)

Saint Paul, MN 55127

-- TRAFFIC DATA --

TH-95 at Bailey Rd/40th St_2019

Ref Pt: 119+00.595

Data Prepared By: ACS

TURNING MOVEMENT COUNT

File Name : TH-95 at Bailey Rd-40th St_2019

Site Code :

Start Date : 12/18/2019

Page No : 1

Groups Printed- Cars - Trucks

Start Time	TH-95 Southbound				40th St Westbound				TH-95 Northbound				Bailey Rd Eastbound				Int. Total
	Left	Thru	Right	Peds	Left	Thru	Right	Peds	Left	Thru	Right	Peds	Left	Thru	Right	Peds	
06:00	1	20	12	0	0	9	8	0	1	24	1	0	6	2	2	0	86
06:15	4	34	5	0	2	16	5	0	4	30	1	0	6	1	0	0	108
06:30	0	44	14	0	3	15	10	0	4	42	2	0	16	5	3	0	158
06:45	0	36	14	0	3	26	16	0	2	48	3	0	14	4	2	0	168
Total	5	134	45	0	8	66	39	0	11	144	7	0	42	12	7	0	520
07:00	1	36	22	0	5	22	17	0	3	44	2	0	20	4	4	0	180
07:15	3	55	27	0	1	21	15	0	4	50	1	0	21	4	1	0	203
07:30	5	62	22	0	1	16	10	0	3	74	1	0	32	2	5	0	233
07:45	7	58	34	0	3	27	7	0	1	41	3	0	25	10	3	0	219
Total	16	211	105	0	10	86	49	0	11	209	7	0	98	20	13	0	835
08:00	6	32	24	0	1	19	12	0	2	47	1	0	20	5	2	0	171
08:15	11	32	22	0	3	19	11	0	9	37	3	0	11	10	4	0	172
08:30	7	27	17	0	2	17	13	0	1	44	3	0	18	7	4	0	160
08:45	5	33	16	0	2	22	13	0	4	29	4	0	14	6	5	0	153
Total	29	124	79	0	8	77	49	0	16	157	11	0	63	28	15	0	656
09:00	7	16	19	0	2	17	10	0	6	38	1	0	16	13	4	0	149
09:15	7	20	11	0	2	17	8	0	4	27	3	0	15	6	5	0	125
09:30	2	23	10	0	3	15	12	0	2	28	0	0	13	9	2	0	119
09:45	6	26	18	0	1	13	8	0	0	36	3	0	16	3	4	0	134
Total	22	85	58	0	8	62	38	0	12	129	7	0	60	31	15	0	527
10:00	5	25	9	0	1	15	11	0	4	25	2	0	7	8	2	0	114
10:15	4	26	8	0	0	17	8	0	1	29	2	0	11	4	5	0	115
10:30	6	33	5	0	3	7	7	0	2	19	1	0	10	9	2	0	104
10:45	7	33	15	0	2	7	9	0	1	23	0	0	8	3	1	0	109
Total	22	117	37	0	6	46	35	0	8	96	5	0	36	24	10	0	442
11:00	6	25	16	0	1	7	14	0	6	32	1	0	8	8	1	0	125
11:15	6	27	9	0	2	10	7	0	5	32	1	0	18	4	5	0	126
11:30	4	30	20	0	2	8	7	0	1	32	2	0	5	13	1	0	125
11:45	8	25	14	0	3	10	6	0	4	19	3	0	10	7	1	0	110
Total	24	107	59	0	8	35	34	0	16	115	7	0	41	32	8	0	486
12:00	5	26	4	0	3	10	6	0	0	23	3	0	15	12	2	0	109
12:15	8	34	10	0	1	7	5	0	1	30	3	0	16	5	4	0	124
12:30	4	34	14	0	1	7	5	0	2	36	1	0	10	7	1	0	122
12:45	7	29	11	0	0	13	5	0	0	42	1	0	11	5	2	0	126
Total	24	123	39	0	5	37	21	0	3	131	8	0	52	29	9	0	481
13:00	4	23	4	0	1	9	5	0	3	28	0	0	18	9	1	0	105
13:15	6	43	10	0	1	5	5	0	4	23	1	0	17	6	3	1	125
13:30	7	22	17	0	2	5	4	0	0	37	1	0	11	9	4	0	119
13:45	8	26	22	0	0	9	4	0	4	44	4	0	14	8	5	0	148
Total	25	114	53	0	4	28	18	0	11	132	6	0	60	32	13	1	497
14:00	10	37	6	0	3	10	5	0	2	33	1	0	17	11	1	0	136
14:15	9	37	15	0	3	7	9	0	5	32	3	0	14	10	4	0	148
14:30	11	60	17	0	1	11	9	0	7	39	0	0	17	11	4	0	187

Associated Consulting Services (ACS)

Saint Paul, MN 55127

-- TRAFFIC DATA --

TH-95 at Bailey Rd/40th St_2019

File Name : TH-95 at Bailey Rd-40th St_2019

Ref Pt: 119+00.595

Site Code :

Data Prepared By: ACS

Start Date : 12/18/2019

TURNING MOVEMENT COUNT

Page No : 2

Groups Printed- Cars - Trucks

Start Time	TH-95 Southbound				40th St Westbound				TH-95 Northbound				Bailey Rd Eastbound				Int. Total
	Left	Thru	Right	Peds	Left	Thru	Right	Peds	Left	Thru	Right	Peds	Left	Thru	Right	Peds	
14:45	11	64	19	0	0	8	6	0	4	43	1	0	17	14	5	0	192
Total	41	198	57	0	7	36	29	0	18	147	5	0	65	46	14	0	663
15:00	14	52	16	0	2	12	6	0	1	42	1	0	11	13	6	0	176
15:15	8	51	14	0	3	16	8	0	1	37	1	0	17	18	7	0	181
15:30	13	60	15	0	2	9	8	0	3	56	1	0	32	22	6	2	229
15:45	12	68	23	0	3	11	5	0	3	66	8	0	29	27	7	0	262
Total	47	231	68	0	10	48	27	0	8	201	11	0	89	80	26	2	848
16:00	7	66	22	0	2	11	10	0	5	68	3	2	28	9	8	0	241
16:15	10	68	18	0	3	12	10	0	3	63	4	0	31	21	6	0	249
16:30	19	60	27	0	1	11	7	0	6	50	5	0	25	21	2	0	234
16:45	23	82	24	0	3	12	9	0	5	86	4	0	26	24	5	0	303
Total	59	276	91	0	9	46	36	0	19	267	16	2	110	75	21	0	1027
17:00	17	53	22	0	1	14	11	0	4	67	3	0	17	16	4	0	229
17:15	11	65	30	0	0	14	7	0	7	41	1	0	22	20	10	0	228
17:30	21	72	30	0	1	14	9	0	5	48	5	0	21	21	4	0	251
17:45	12	39	14	0	3	6	7	0	5	46	4	0	16	17	7	3	179
Total	61	229	96	0	5	48	34	0	21	202	13	0	76	74	25	3	887
Grand Total	375	1949	787	0	88	615	409	0	154	1930	103	2	792	483	176	6	7869
Apprch %	12.1	62.6	25.3	0	7.9	55.3	36.8	0	7	88.2	4.7	0.1	54.4	33.2	12.1	0.4	
Total %	4.8	24.8	10	0	1.1	7.8	5.2	0	2	24.5	1.3	0	10.1	6.1	2.2	0.1	
Cars	366	1847	752	0	84	597	402	0	146	1818	96	2	757	466	170	6	7509
% Cars	97.6	94.8	95.6	0	95.5	97.1	98.3	0	94.8	94.2	93.2	100	95.6	96.5	96.6	100	95.4
Trucks	9	102	35	0	4	18	7	0	8	112	7	0	35	17	6	0	360
% Trucks	2.4	5.2	4.4	0	4.5	2.9	1.7	0	5.2	5.8	6.8	0	4.4	3.5	3.4	0	4.6

Associated Consulting Services (ACS)

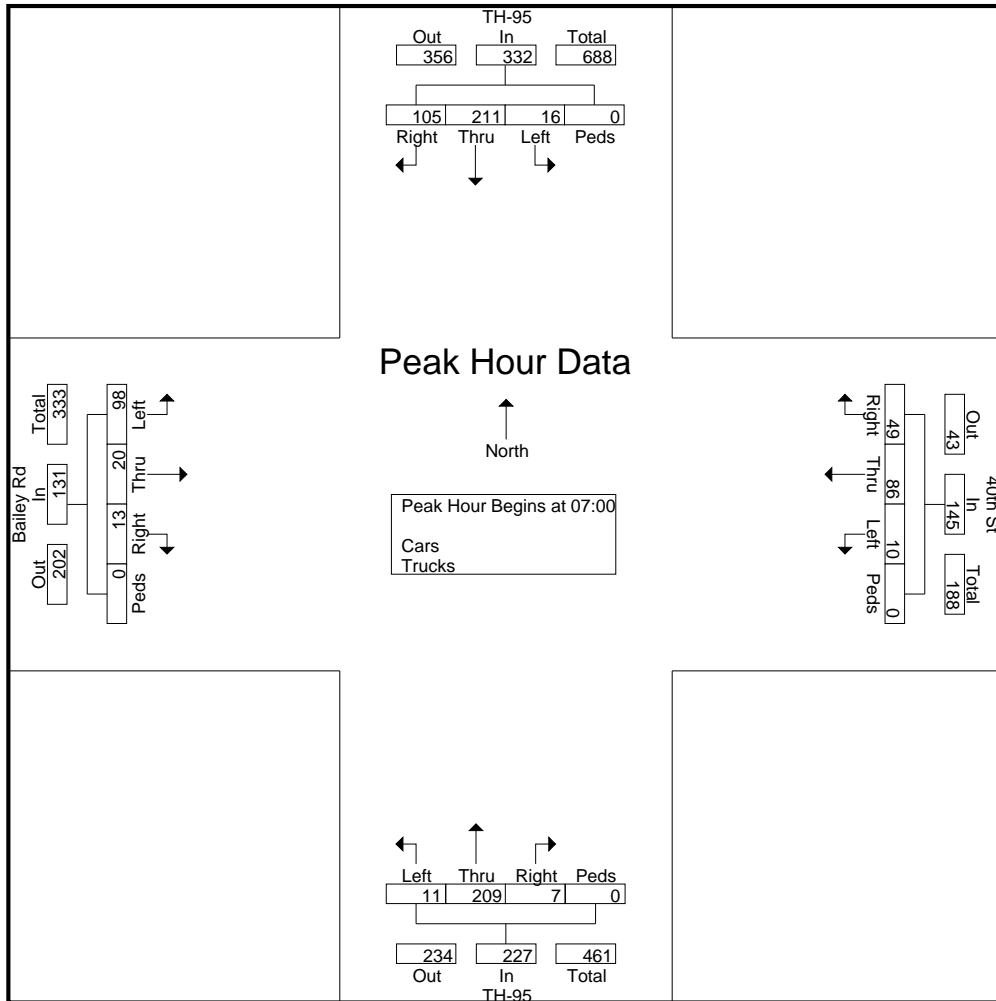
Saint Paul, MN 55127

-- TRAFFIC DATA --

TH-95 at Bailey Rd/40th St_2019
 Ref Pt: 119+00.595
 Data Prepared By: ACS
 TURNING MOVEMENT COUNT

File Name : TH-95 at Bailey Rd-40th St_2019
 Site Code :
 Start Date : 12/18/2019
 Page No : 3

Start Time	TH-95 Southbound					40th St Westbound					TH-95 Northbound					Bailey Rd Eastbound					Int. Total
	Left	Thru	Right	Peds	App. Total	Left	Thru	Right	Peds	App. Total	Left	Thru	Right	Peds	App. Total	Left	Thru	Right	Peds	App. Total	
Peak Hour Analysis From 06:00 to 11:45 - Peak 1 of 1																					
Peak Hour for Entire Intersection Begins at 07:00																					
07:00	1	36	22	0	59	5	22	17	0	44	3	44	2	0	49	20	4	4	0	28	180
07:15	3	55	27	0	85	1	21	15	0	37	4	50	1	0	55	21	4	1	0	26	203
07:30	5	62	22	0	89	1	16	10	0	27	3	74	1	0	78	32	2	5	0	39	233
07:45	7	58	34	0	99	3	27	7	0	37	1	41	3	0	45	25	10	3	0	38	219
Total Volume	16	211	105	0	332	10	86	49	0	145	11	209	7	0	227	98	20	13	0	131	835
% App. Total	4.8	63.6	31.6	0		6.9	59.3	33.8	0		4.8	92.1	3.1	0		74.8	15.3	9.9	0		
PHF	.571	.851	.772	.000	.838	.500	.796	.721	.000	.824	.688	.706	.583	.000	.728	.766	.500	.650	.000	.840	.896



Associated Consulting Services (ACS)

Saint Paul, MN 55127

-- TRAFFIC DATA --

TH-95 at Bailey Rd/40th St_2019

Ref Pt: 119+00.595

Data Prepared By: ACS

TURNING MOVEMENT COUNT

File Name : TH-95 at Bailey Rd-40th St_2019

Site Code :

Start Date : 12/18/2019

Page No : 4

Start Time	TH-95 Southbound					40th St Westbound					TH-95 Northbound					Bailey Rd Eastbound					Int. Total
	Left	Thru	Right	Peds	App. Total	Left	Thru	Right	Peds	App. Total	Left	Thru	Right	Peds	App. Total	Left	Thru	Right	Peds	App. Total	
Peak Hour Analysis From 12:00 to 17:45 - Peak 1 of 1																					
Peak Hour for Entire Intersection Begins at 16:00																					
16:00	7	66	22	0	95	2	11	10	0	23	5	68	3	2	78	28	9	8	0	45	241
16:15	10	68	18	0	96	3	12	10	0	25	3	63	4	0	70	31	21	6	0	58	249
16:30	19	60	27	0	106	1	11	7	0	19	6	50	5	0	61	25	21	2	0	48	234
16:45	23	82	24	0	129	3	12	9	0	24	5	86	4	0	95	26	24	5	0	55	303
Total Volume	59	276	91	0	426	9	46	36	0	91	19	267	16	2	304	110	75	21	0	206	1027
% App. Total	13.8	64.8	21.4	0		9.9	50.5	39.6	0		6.2	87.8	5.3	0.7		53.4	36.4	10.2	0		
PHF	.641	.841	.843	.000	.826	.750	.958	.900	.000	.910	.792	.776	.800	.250	.800	.887	.781	.656	.000	.888	.847

