

# Associated Consulting Services (ACS)

Saint Paul, MN 55127

-- TRAFFIC DATA --

TH-95 at Myrtle St.\_2019

Ref Pt: 104+00.083

Data Prepared By: ACS

TURNING MOVEMENT COUNT

File Name : TH-95 at Myrtle St.\_2019

Site Code :

Start Date : 6/6/2019

Page No : 1

Groups Printed- Cars - Trucks

Start Time	TH-95 Southbound				Myrtle St Westbound				TH-95 Northbound				Myrtle St Eastbound				Int. Total
	Left	Thru	Right	Peds	Left	Thru	Right	Peds	Left	Thru	Right	Peds	Left	Thru	Right	Peds	
06:00	0	39	5	0	0	1	0	2	7	14	2	0	1	4	6	1	82
06:15	1	40	12	0	4	1	0	3	7	15	1	1	1	1	12	0	99
06:30	0	52	24	0	0	1	1	0	10	30	4	1	2	5	13	0	143
06:45	1	48	17	0	1	0	1	0	13	27	1	1	6	8	10	2	136
Total	2	179	58	0	5	3	2	5	37	86	8	3	10	18	41	3	460
07:00	0	43	21	0	2	1	1	0	17	52	2	0	1	2	13	2	157
07:15	0	55	24	0	1	1	0	0	20	34	3	1	7	1	13	0	160
07:30	1	60	19	0	2	2	0	3	19	42	1	2	8	7	13	6	185
07:45	1	46	32	0	2	3	2	6	27	61	6	3	10	6	15	3	223
Total	2	204	96	0	7	7	3	9	83	189	12	6	26	16	54	11	725
08:00	0	41	24	2	2	1	1	6	17	42	3	2	7	4	11	1	164
08:15	0	47	22	1	1	3	2	2	19	41	3	1	12	10	10	2	176
08:30	0	55	31	5	1	3	4	4	21	50	0	2	10	6	16	7	215
08:45	1	49	36	1	4	5	0	5	21	53	2	5	17	10	13	4	226
Total	1	192	113	9	8	12	7	17	78	186	8	10	46	30	50	14	781
09:00	1	44	29	2	1	3	0	4	24	31	5	1	17	4	11	1	178
09:15	1	46	34	2	7	4	0	6	14	48	1	2	12	8	10	10	205
09:30	0	39	26	5	3	6	1	2	17	48	3	1	18	4	15	11	199
09:45	2	53	19	0	1	2	1	9	17	48	5	1	22	8	16	5	209
Total	4	182	108	9	12	15	2	21	72	175	14	5	69	24	52	27	791
10:00	1	51	16	11	1	7	1	14	15	54	4	0	18	11	15	18	237
10:15	3	44	20	2	4	6	3	8	16	42	5	11	25	9	18	20	236
10:30	1	48	30	6	4	6	1	10	20	39	6	8	24	12	17	27	259
10:45	7	67	23	4	2	4	1	21	27	51	7	6	22	11	12	15	280
Total	12	210	89	23	11	23	6	53	78	186	22	25	89	43	62	80	1012
11:00	3	44	18	3	5	7	0	45	14	50	6	14	29	7	10	21	276
11:15	2	56	19	12	7	2	0	22	32	48	6	15	28	10	18	13	290
11:30	1	45	19	12	5	9	2	23	14	51	10	12	21	10	18	28	280
11:45	4	58	12	2	5	4	2	65	22	46	4	12	26	10	21	26	319
Total	10	203	68	29	22	22	4	155	82	195	26	53	104	37	67	88	1165
12:00	2	62	24	5	11	5	2	34	11	60	11	14	22	7	25	37	332
12:15	3	65	25	7	3	8	0	21	15	47	3	8	28	9	23	22	287
12:30	1	51	21	18	6	12	2	48	13	60	5	16	26	7	11	37	334
12:45	1	52	27	1	6	8	0	35	19	60	7	7	30	9	21	21	304
Total	7	230	97	31	26	33	4	138	58	227	26	45	106	32	80	117	1257
13:00	0	55	22	12	4	11	1	29	21	60	7	24	26	10	14	40	336
13:15	0	57	32	9	3	15	3	31	16	50	3	12	28	14	13	35	321
13:30	2	58	28	9	2	9	2	25	15	66	2	29	22	6	14	48	337
13:45	1	71	21	16	9	14	1	29	15	77	5	12	31	5	24	39	370
Total	3	241	103	46	18	49	7	114	67	253	17	77	107	35	65	162	1364
14:00	1	63	22	6	5	10	1	37	22	61	8	8	23	6	21	28	322
14:15	1	48	17	13	3	7	3	44	26	68	4	15	32	10	18	40	349
14:30	2	63	18	11	6	10	0	46	26	57	8	20	32	8	24	38	369

# Associated Consulting Services (ACS)

Saint Paul, MN 55127

-- TRAFFIC DATA --

TH-95 at Myrtle St.\_2019

Ref Pt: 104+00.083

Data Prepared By: ACS

TURNING MOVEMENT COUNT

File Name : TH-95 at Myrtle St.\_2019

Site Code :

Start Date : 6/6/2019

Page No : 2

Groups Printed- Cars - Trucks

Start Time	TH-95 Southbound				Myrtle St Westbound				TH-95 Northbound				Myrtle St Eastbound				Int. Total
	Left	Thru	Right	Peds	Left	Thru	Right	Peds	Left	Thru	Right	Peds	Left	Thru	Right	Peds	
14:45	3	64	22	18	8	7	0	37	37	75	2	14	26	5	15	31	364
Total	7	238	79	48	22	34	4	164	111	261	22	57	113	29	78	137	1404
15:00	1	67	26	12	9	9	0	28	25	87	9	18	28	3	15	37	374
15:15	7	64	20	2	5	7	0	17	14	81	7	3	37	6	17	31	318
15:30	2	75	22	9	10	3	0	8	27	71	6	8	27	11	16	36	331
15:45	2	66	14	3	7	10	1	15	31	88	5	9	43	6	26	34	360
Total	12	272	82	26	31	29	1	68	97	327	27	38	135	26	74	138	1383
16:00	2	67	32	9	7	12	1	13	23	75	2	12	31	10	19	30	345
16:15	1	84	17	7	5	11	1	24	23	86	5	6	43	6	18	37	374
16:30	3	90	23	7	14	11	6	18	22	88	7	9	34	11	22	25	390
16:45	1	92	17	14	2	10	4	17	33	81	8	7	47	11	19	34	397
Total	7	333	89	37	28	44	12	72	101	330	22	34	155	38	78	126	1506
17:00	0	84	26	8	5	11	2	28	30	83	5	8	35	9	24	27	385
17:15	1	95	16	2	4	6	2	21	26	63	8	13	41	13	27	26	364
17:30	5	87	24	14	6	15	2	31	27	72	2	10	32	10	21	44	402
17:45	0	87	25	3	5	10	2	18	29	72	12	3	32	16	21	30	365
Total	6	353	91	27	20	42	8	98	112	290	27	34	140	48	93	127	1516
Grand Total	73	2837	1073	285	210	313	60	914	976	2705	231	387	1100	376	794	1030	13364
Apprch %	1.7	66.5	25.1	6.7	14	20.9	4	61.1	22.7	62.9	5.4	9	33.3	11.4	24.1	31.2	
Total %	0.5	21.2	8	2.1	1.6	2.3	0.4	6.8	7.3	20.2	1.7	2.9	8.2	2.8	5.9	7.7	
Cars	70	2738	1061	285	202	301	60	914	953	2589	224	387	1075	365	777	1030	13031
% Cars	95.9	96.5	98.9	100	96.2	96.2	100	100	97.6	95.7	97	100	97.7	97.1	97.9	100	97.5
Trucks	3	99	12	0	8	12	0	0	23	116	7	0	25	11	17	0	333
% Trucks	4.1	3.5	1.1	0	3.8	3.8	0	0	2.4	4.3	3	0	2.3	2.9	2.1	0	2.5

# Associated Consulting Services (ACS)

Saint Paul, MN 55127

-- TRAFFIC DATA --

TH-95 at Myrtle St.\_2019

Ref Pt: 104+00.083

Data Prepared By: ACS

TURNING MOVEMENT COUNT

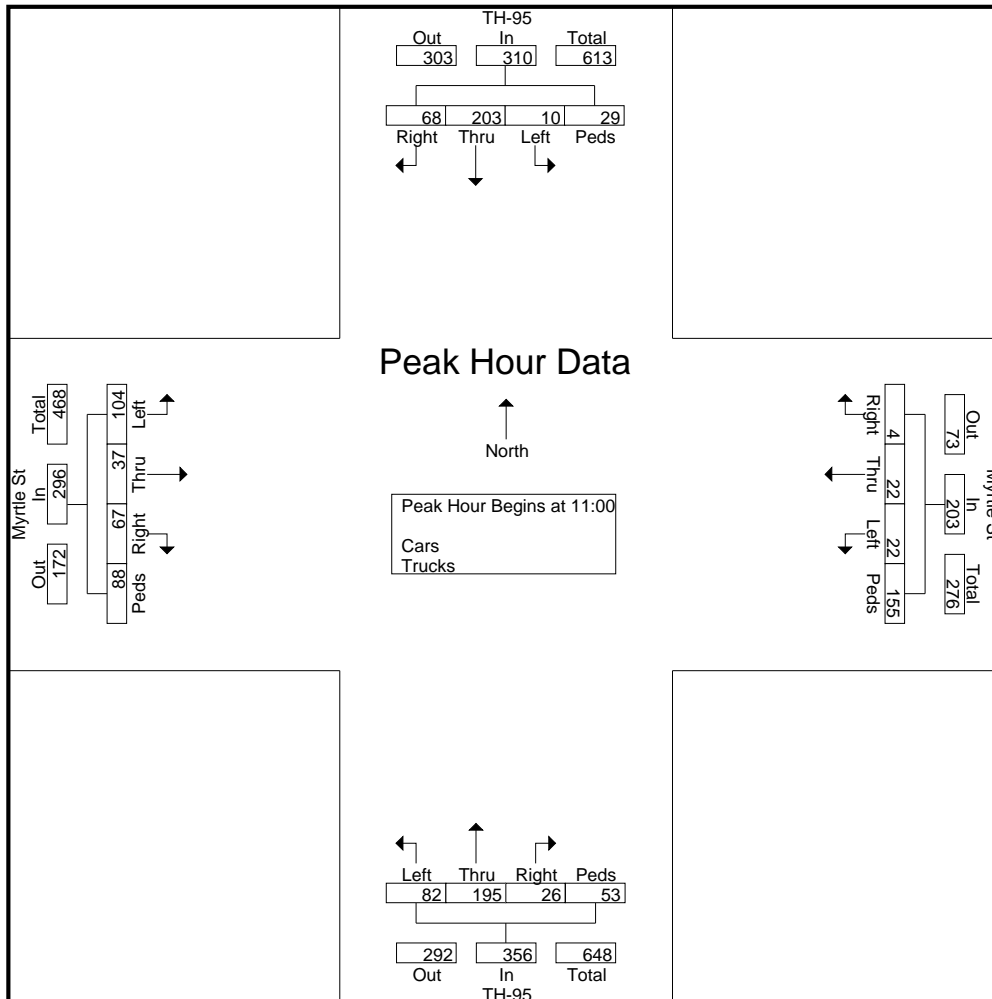
File Name : TH-95 at Myrtle St.\_2019

Site Code :

Start Date : 6/6/2019

Page No : 3

Start Time	TH-95 Southbound					Myrtle St Westbound					TH-95 Northbound					Myrtle St Eastbound					Int. Total
	Left	Thru	Right	Peds	App. Total	Left	Thru	Right	Peds	App. Total	Left	Thru	Right	Peds	App. Total	Left	Thru	Right	Peds	App. Total	
Peak Hour Analysis From 06:00 to 11:45 - Peak 1 of 1																					
Peak Hour for Entire Intersection Begins at 11:00																					
11:00	3	44	18	3	68	5	7	0	45	57	14	50	6	14	84	29	7	10	21	67	276
11:15	2	56	19	12	89	7	2	0	22	31	32	48	6	15	101	28	10	18	13	69	290
11:30	1	45	19	12	77	5	9	2	23	39	14	51	10	12	87	21	10	18	28	77	280
11:45	4	58	12	2	76	5	4	2	65	76	22	46	4	12	84	26	10	21	26	83	319
Total Volume	10	203	68	29	310	22	22	4	155	203	82	195	26	53	356	104	37	67	88	296	1165
% App. Total	3.2	65.5	21.9	9.4		10.8	10.8	2	76.4		23	54.8	7.3	14.9		35.1	12.5	22.6	29.7		
PHF	.625	.875	.895	.604	.871	.786	.611	.500	.596	.668	.641	.956	.650	.883	.881	.897	.925	.798	.786	.892	.913



# Associated Consulting Services (ACS)

Saint Paul, MN 55127

-- TRAFFIC DATA --

TH-95 at Myrtle St.\_2019

Ref Pt: 104+00.083

Data Prepared By: ACS

TURNING MOVEMENT COUNT

File Name : TH-95 at Myrtle St.\_2019

Site Code :

Start Date : 6/6/2019

Page No : 4

Start Time	TH-95 Southbound					Myrtle St Westbound					TH-95 Northbound					Myrtle St Eastbound					Int. Total
	Left	Thru	Right	Peds	App. Total	Left	Thru	Right	Peds	App. Total	Left	Thru	Right	Peds	App. Total	Left	Thru	Right	Peds	App. Total	
Peak Hour Analysis From 12:00 to 17:45 - Peak 1 of 1																					
Peak Hour for Entire Intersection Begins at 16:45																					
16:45	1	92	17	14	124	2	10	4	17	33	33	81	8	7	129	47	11	19	34	111	397
17:00	0	84	26	8	118	5	11	2	28	46	30	83	5	8	126	35	9	24	27	95	385
17:15	1	95	16	2	114	4	6	2	21	33	26	63	8	13	110	41	13	27	26	107	364
17:30	5	87	24	14	130	6	15	2	31	54	27	72	2	10	111	32	10	21	44	107	402
Total Volume	7	358	83	38	486	17	42	10	97	166	116	299	23	38	476	155	43	91	131	420	1548
% App. Total	1.4	73.7	17.1	7.8		10.2	25.3	6	58.4		24.4	62.8	4.8	8		36.9	10.2	21.7	31.2		
PHF	.350	.942	.798	.679	.935	.708	.700	.625	.782	.769	.879	.901	.719	.731	.922	.824	.827	.843	.744	.946	.963

